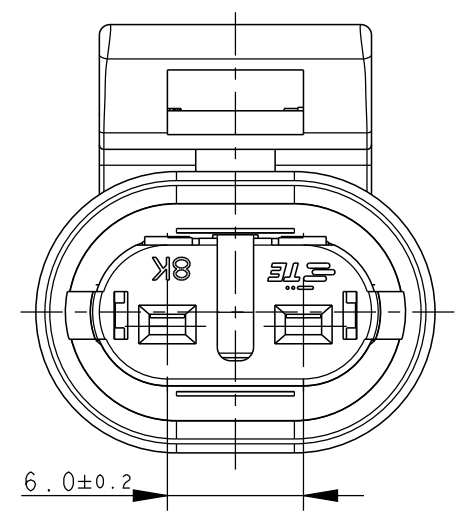
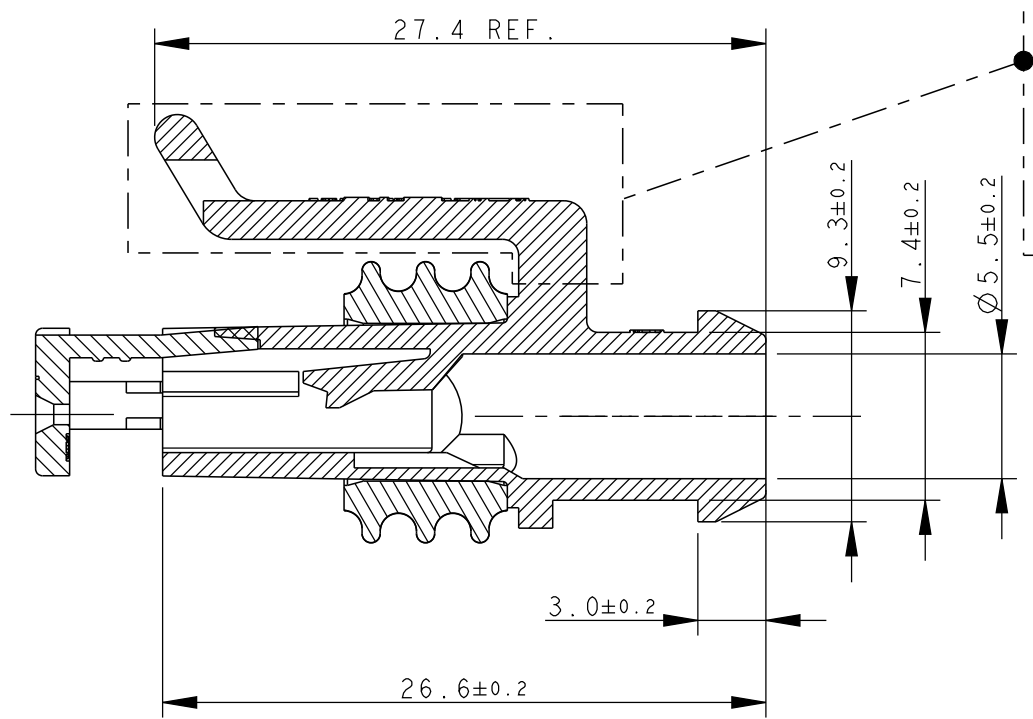
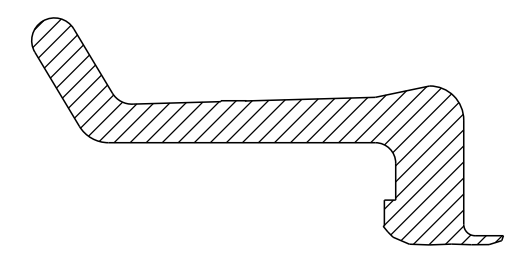


THIS DRAWING IS UNPUBLISHED. RELEASED FOR PUBLICATION 2011
COPYRIGHT 2011 ALL RIGHTS RESERVED.

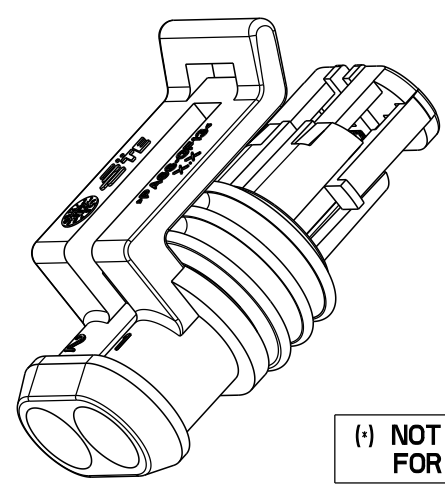
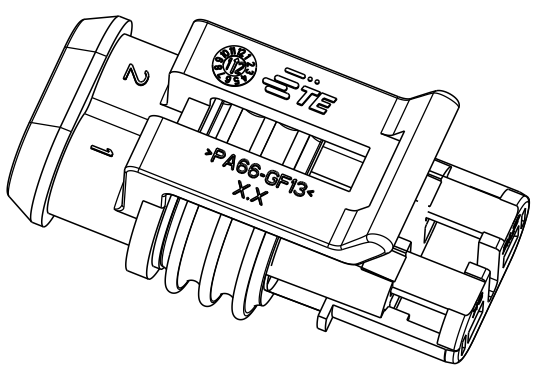
REVISIONS

P	LTR	DESCRIPTION	DATE	DWN	APVD
D2		ADDED FSL SEAL VERSION (ECO-15-016364)	13NOV2015	M.G.	M.G.
D3		REVISED PER ECO-17-001706	10FEB2017	C.A.	M.G.
D4		REVISED PER ECO-19-017338	15NOV2019	AP	VN
D5		REVISED PER ECO-20-009351	03JUL2020	AP	VN

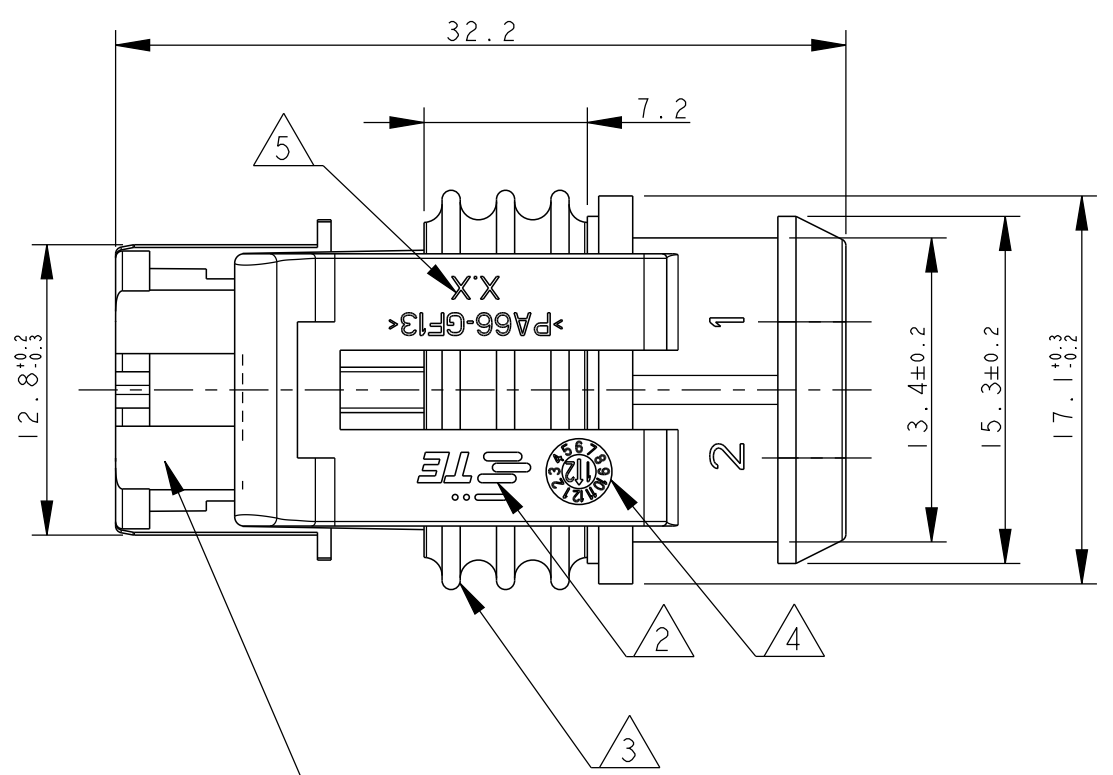
ALTERNATIVE DESIGN OF LOCKING LANCE



- 1) FOR COUNTERPART DETAILS, SEE SHEET 2 OF 2
- 2) TE CONNECTIVITY TRADE MARK, (IN ALTERNATIVE: "AMP" LOGO, OR "TE" LOGO, OR "Tyco Electronics" LOGO)
- 3) SEALING (COLOUR YELLOW FOR LSR VERSION) (COLOUR WHITE FOR FSL VERSION)
- 4) DATECODE (OPTIONAL IN OLD MOULDS).
- 5) MOULD/MOULD CAVITY NUMBER



(*) NOT YET RELEASED FOR PRODUCTION



PRE-ASSEMBLED SECONDARY LOCK (COLOUR RED/WHITE)

FINISH/COLOR	MATERIAL	PART NUMBER
HSG-WHITE, SL-WHITE	ACC. TO IEC 60335-1 HSG+SL: PA66GF20 UL94-V2 SEALING: LSR	1745096-1
HSG-BLACK, SL-RED	HOUSING+SEC.LOCK:PA66-GF SEALING: FSL	1-282080-1 (*)
HSG-BROWN, SL-RED	HOUSING+SEC.LOCK:PA66-GF SEALING: LSR	282080-4
HSG-GREEN, SL-RED		282080-3
HSG-GRAY, SL-RED		282080-2
HSG-BLACK, SL-RED		282080-1

THIS DRAWING IS A CONTROLLED DOCUMENT.

DWN C. BERTINI 05-1992
CHK A. BRUNI 05-1992
APVD -

PRODUCT SPEC 108-20090
APPLICATION SPEC 412-20000
WEIGHT 2.60gr

Customer Drawing

SCALE 3:1 SHEET 1 OF 2 REV D5

TE Connectivity

AMP SUPERSEAL 1.5 SRS.
2 POSITIONS PLUG ASS'Y

SIZE A3 CAGE CODE 00779 C=282080 RESTRICTED TO -

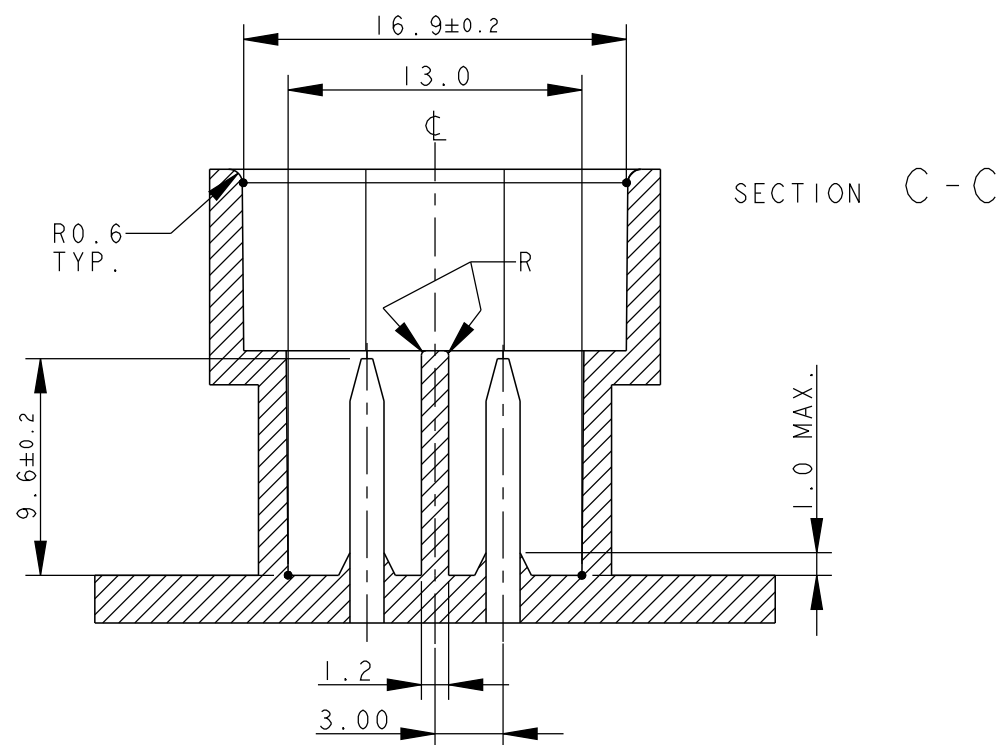
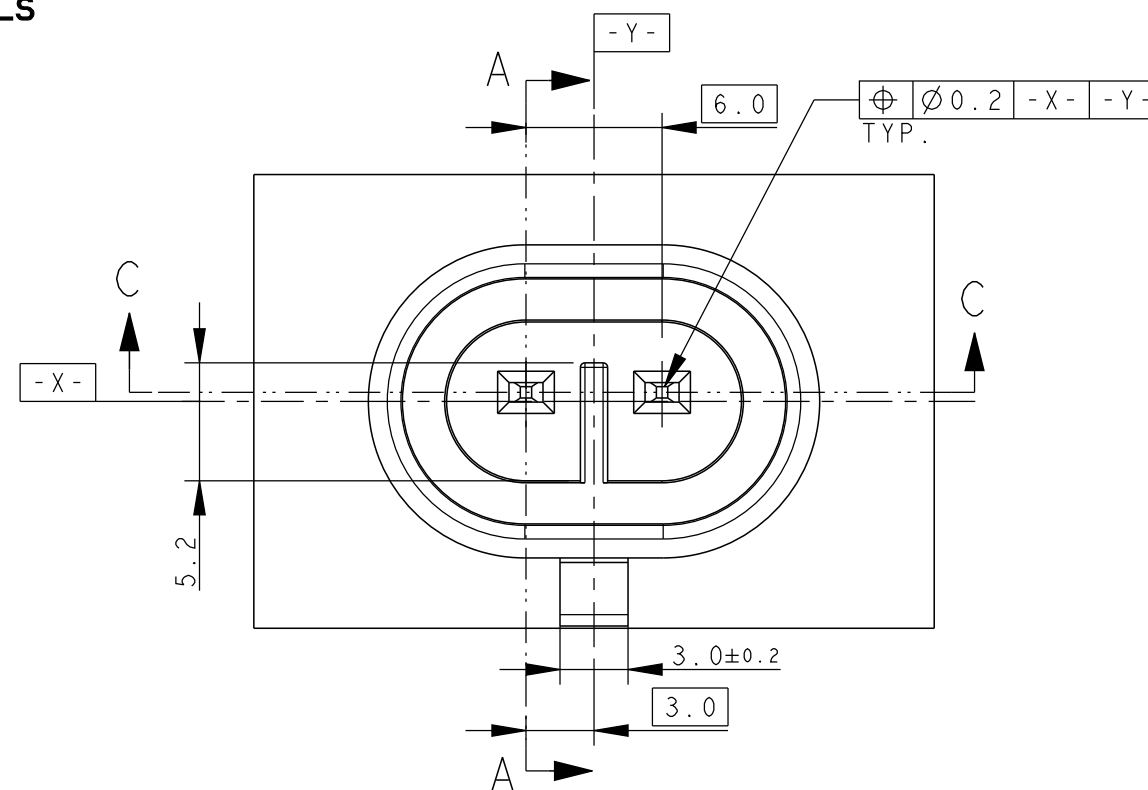
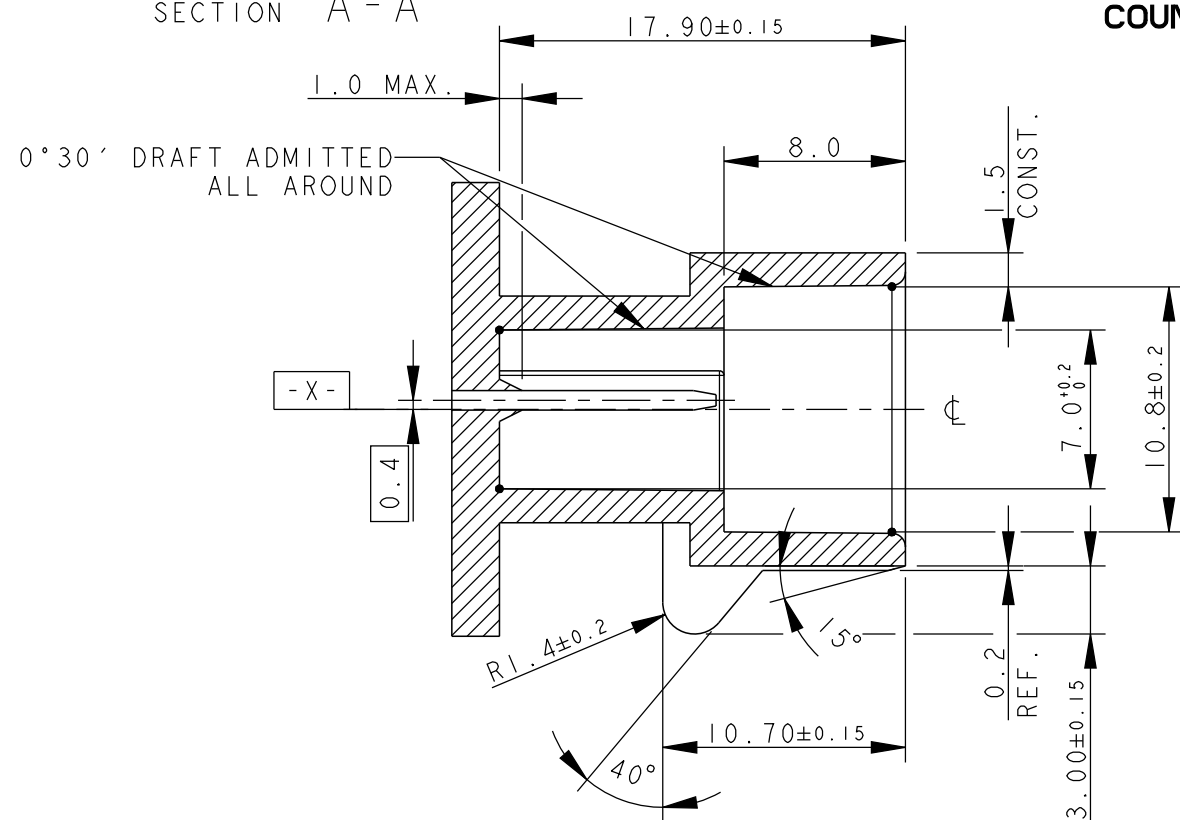
DIMENSIONS:	TOLERANCES UNLESS OTHERWISE SPECIFIED:
mm	
0 PLC	±
1 PLC	±0.3
2 PLC	±
3 PLC	±
4 PLC	±
ANGLES	±2°
MATERIAL	FINISH
SEE TABLE	SEE TABLE

REVISIONS

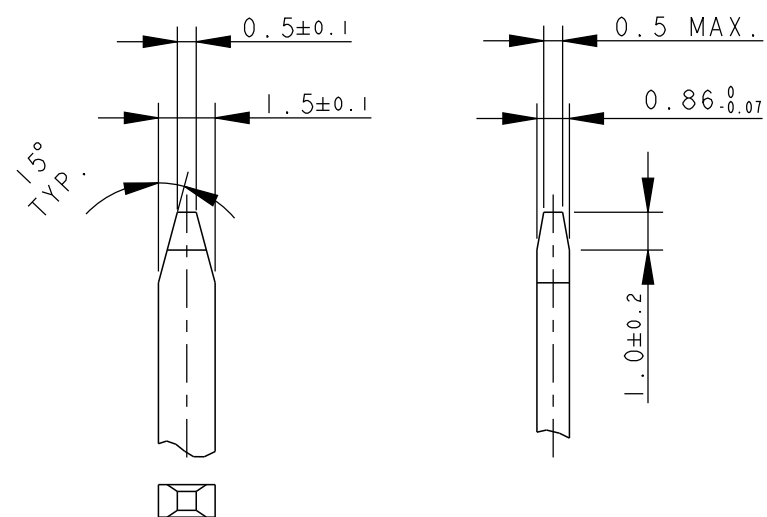
P	LTR	DESCRIPTION	DATE	DWN	APVD
-	-	SEE SHEET 1	-	-	-

SECTION A - A

COUNTERPART DETAILS



TAB DETAILS



MATERIALS: PA66-GF FOR HOUSING
 TIN PLATED BRASS FOR TABS
 FOR PN 1745096-1: COUNTER PART MATL
 PA66-GF ACC TO IEC60335-1
 PRODUCT SPEC: 108-20090-2

THIS DRAWING IS A CONTROLLED DOCUMENT.

DWN C. BERTINI 05-1992

CHK A. BRUNI 05-1992

APVD -

NAME



DIMENSIONS:

mm

TOLERANCES UNLESS OTHERWISE SPECIFIED:

- 0 PLC ±0.3
- 1 PLC ±0.1
- 2 PLC ±0.05
- 3 PLC ±
- 4 PLC ±
- ANGLES ±2°



MATERIAL



FINISH



PRODUCT SPEC 108-20090

APPLICATION SPEC 412-20000

WEIGHT 2.60gr

AMP SUPERSEAL 1.5 SRS.
2 POSITIONS PLUG ASS'Y

SIZE CAGE CODE DRAWING NO RESTRICTED TO

A300779 C=282080

Customer Drawing

SCALE 5:1 SHEET 2 OF 2 REV D5