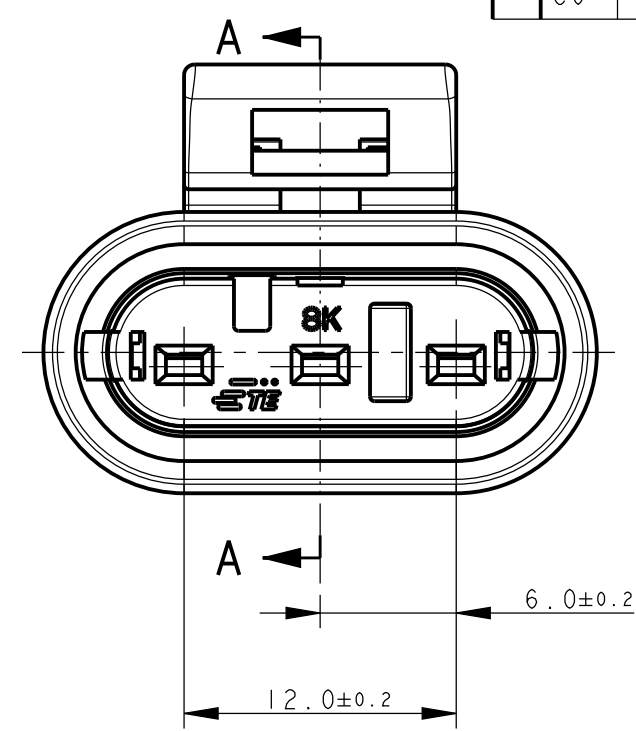
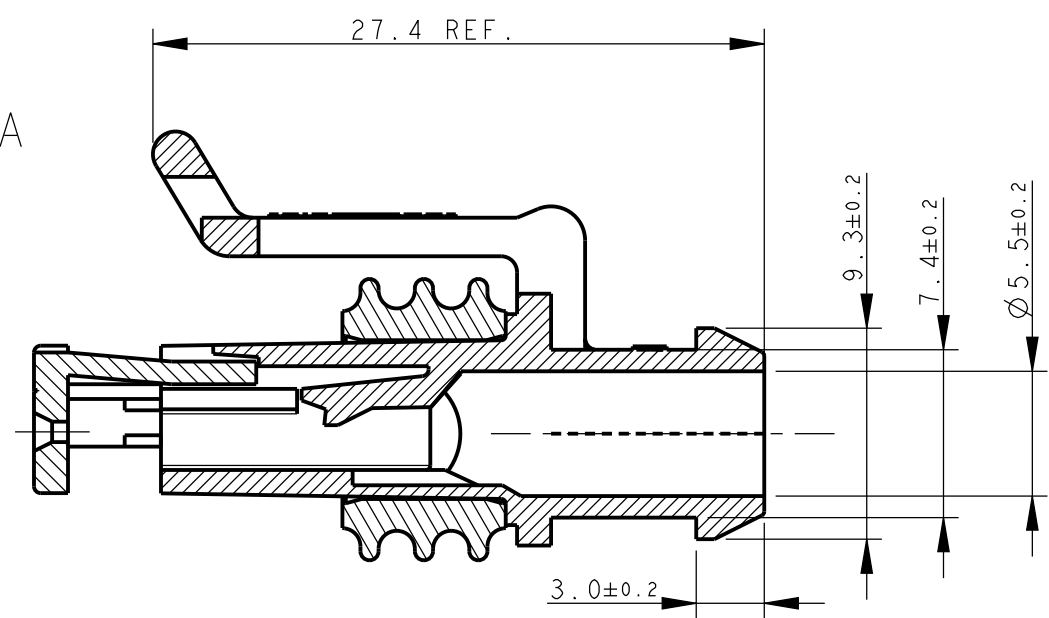


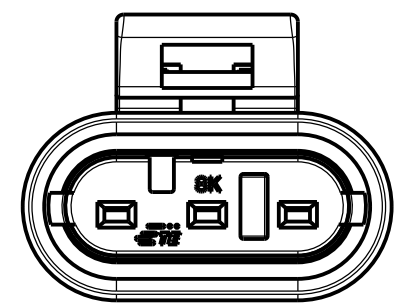
THIS DRAWING IS UNPUBLISHED. RELEASED FOR PUBLICATION 2011
 © COPYRIGHT 2011 ALL RIGHTS RESERVED.

| P | LTR | DESCRIPTION | DATE | DWN | APVD |
|----|-----|---------------------------|-----------|-------|-------|
| C3 | | REVISED PER ECO-17-001706 | 10FEB2017 | C. A. | M. G. |
| C4 | | REVISED PER ECO-18-012780 | 13AUG2018 | AP | VN |
| C5 | | REVISED PER ECO-19-017338 | 15NOV2019 | AP | VN |
| C6 | | REVISED PER ECR-21-103343 | 19MAY2021 | AP | VN |

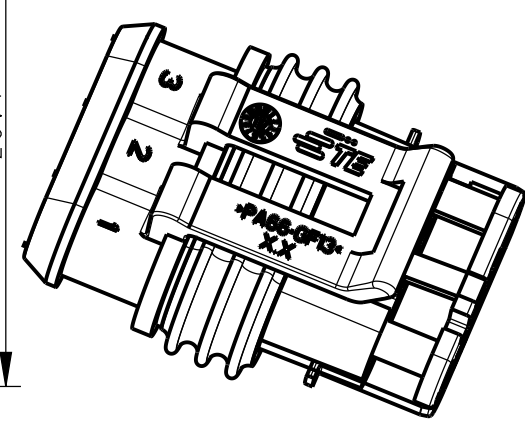
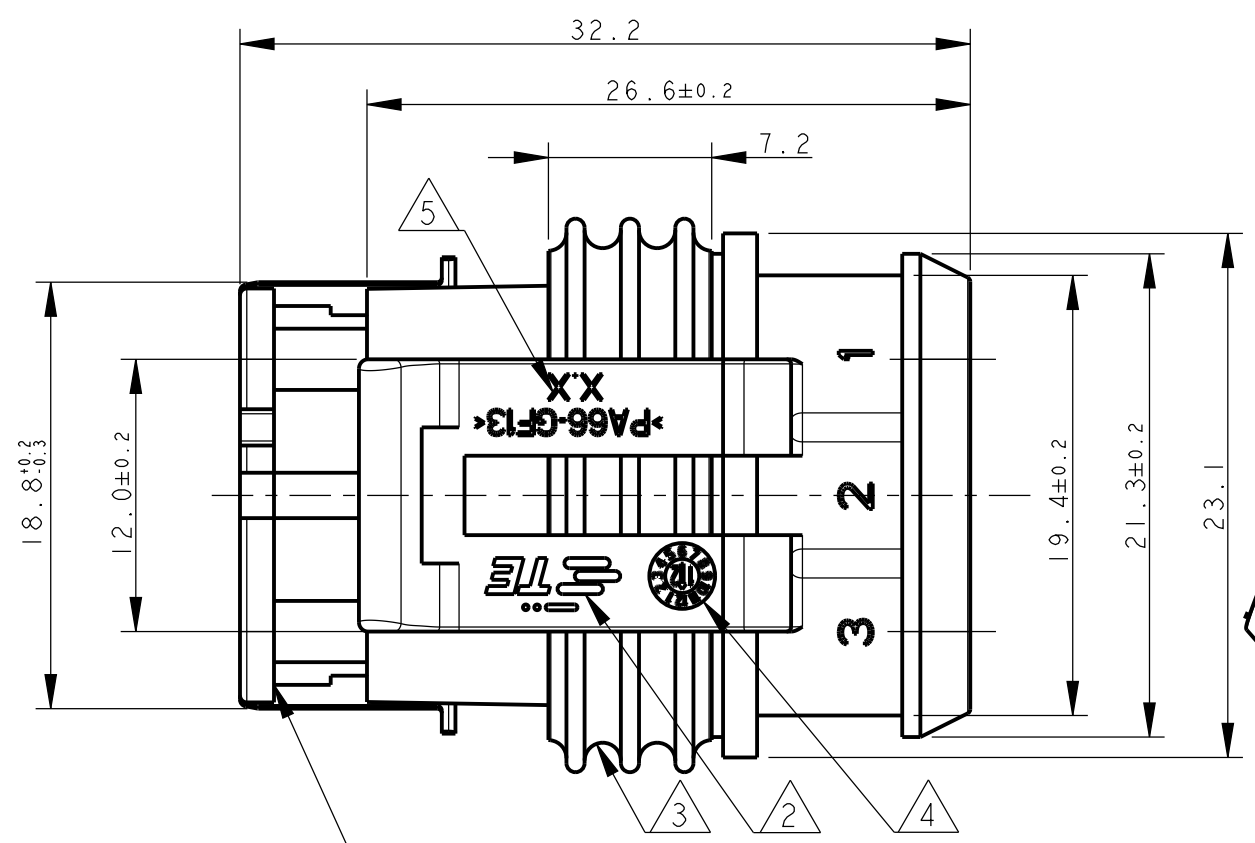
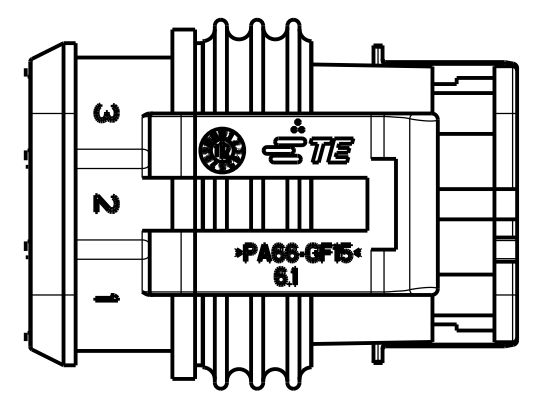
SECTION A-A



ONLY FOR BRAZILIAN PRODUCTION



ONLY FOR INDIAN PRODUCTION
282087-3



(*) PRELIMINARY

| FINISH/COLOR | MATERIAL | PART NUMBER |
|---------------------|---|----------------|
| HSG-WHITE, SL-WHITE | ACC. TO IEC 60335-1 HSG+SL: PA66GF20 UL94-V2 SEALING: LSR | 1745083-1 |
| HSG-GRAY, SL-RED | HOUSING+SEC. LOCK: PA 66-GF SEALING: FSL | 1-282087-2 (*) |
| HSG-BLACK, SL-RED | | 1-282087-1 (*) |
| HSG-BLACK, SL-RED | HOUSING+SEC. LOCK: PA 66-GF SEALING: LSR | 282087-3 |
| HSG-GRAY, SL-RED | | 282087-2 |
| HSG-BLACK, SL-RED | | 282087-1 |

1) FOR COUNTERPART DETAILS, SEE SHEET 2 OF 2

- 2) TE CONNECTIVITY TRADE MARK, (IN ALTERNATIVE: "AMP" LOGO, OR "Tyco Electronics" LOGO)
- 3) SEALING (COLOUR YELLOW FOR LSR VERSION) (COLOUR WHITE FOR FSL VERSION)
- 4) DATECODE (OPTIONAL IN OLD MOULDS).
- 5) MOULD/MOULD CAVITY NUMBER

| | |
|--|--|
| THIS DRAWING IS A CONTROLLED DOCUMENT. | |
| DIMENSIONS: mm | TOLERANCES UNLESS OTHERWISE SPECIFIED: |
| | 0 PLC ± 1 PLC ±0.3 2 PLC ± 3 PLC ± 4 PLC ± ANGLES ±2° |
| MATERIAL SEE TABLE | FINISH SEE TABLE |

| | |
|-------------------------------|------|
| DWN C. BERTINI 07-1990 | NAME |
| CHK A. BRUNI 07-1990 | |
| APVD | |
| PRODUCT SPEC 108-20090 | |
| APPLICATION SPEC 412-20000 | |
| WEIGHT 3.65gr | |
| Customer Drawing | |

STE TE Connectivity

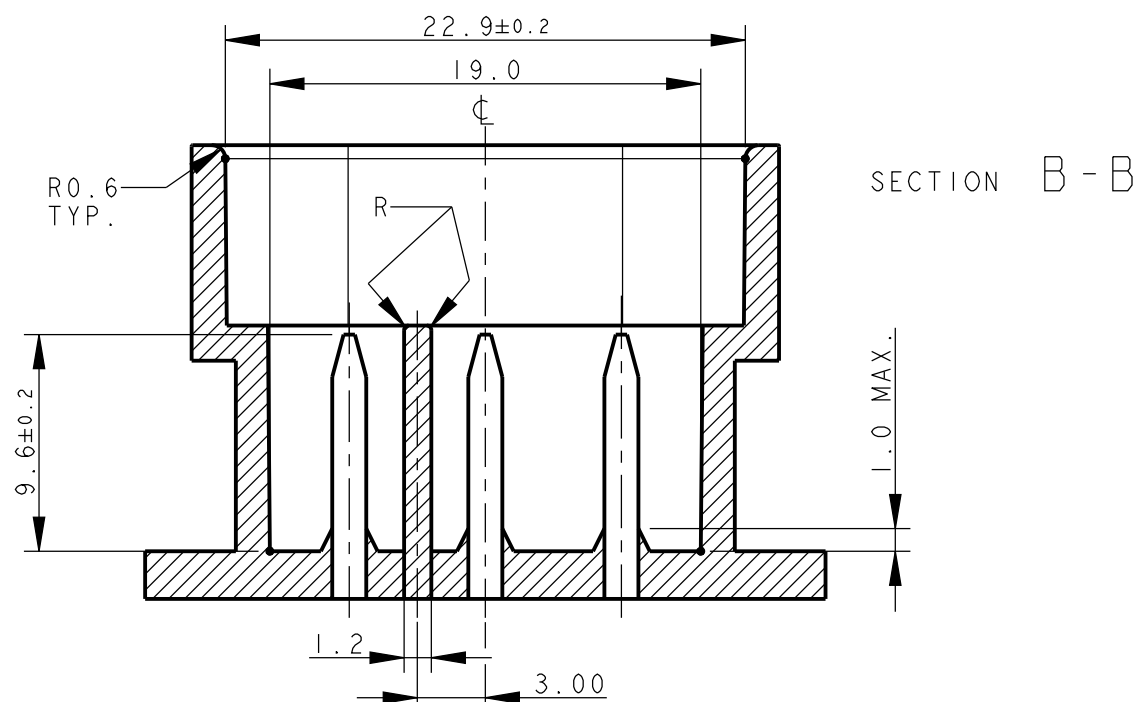
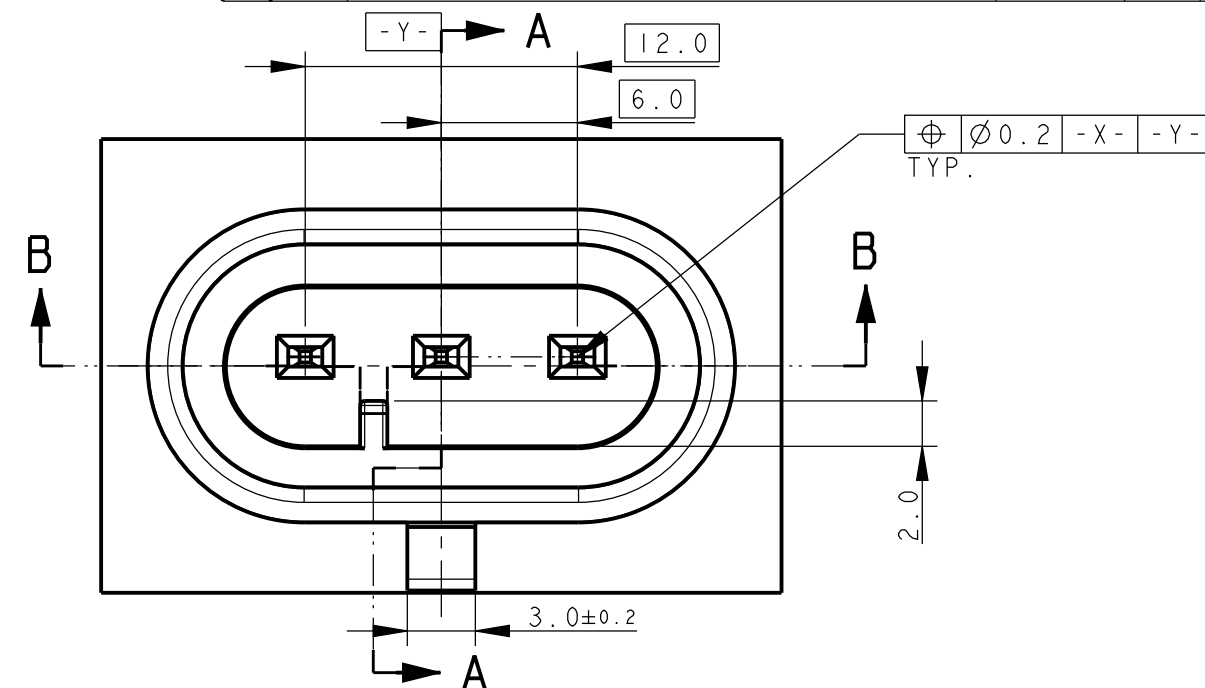
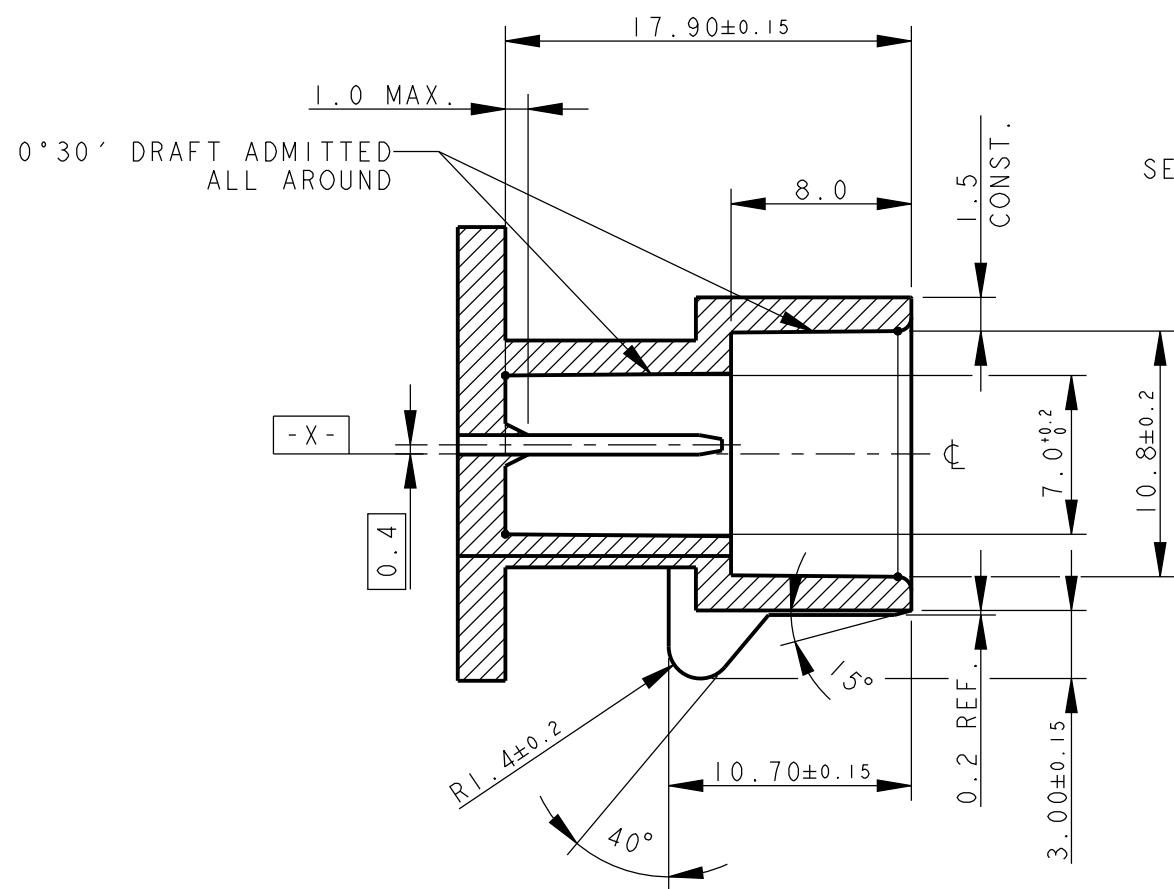
AMP SUPERSEAL 1.5 SRS.
3 POSITIONS PLUG ASS'Y

| | | | |
|-------|-----------|------------|---------------|
| SIZE | CAGE CODE | DRAWING NO | RESTRICTED TO |
| A3 | 00779 | C=282087 | - |
| SCALE | SHEET | OF | REV |
| 5:1 | 1 | 2 | C6 |

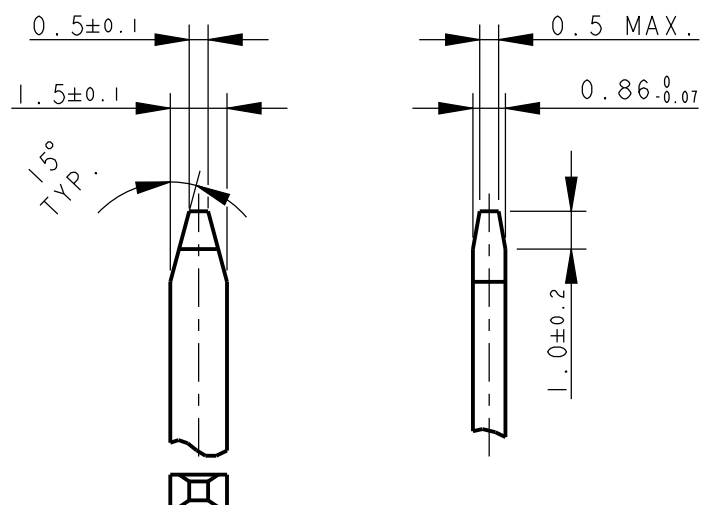
REVISIONS

| P | LTR | DESCRIPTION | DATE | DWN | APVD |
|---|-----|-------------|------|-----|------|
| - | - | SEE SHEET 1 | - | - | - |

COUNTERPART DETAILS



TAB DETAILS



MATERIALS: PA66-GF FOR HOUSING
 TIN PLATED BRASS FOR TABS
 FOR PN 1745083-1; COUNTER PART MATL
 PART PA66-GF ACC TO IEC60335-1
 PRODUCT SPEC: 108-20090-2

THIS DRAWING IS A CONTROLLED DOCUMENT.

DWN 07-1990

C. BERTINI

CHK 07-1990

A. BRUNI

APVD

NAME



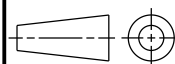
TE Connectivity

DIMENSIONS:

mm

TOLERANCES UNLESS OTHERWISE SPECIFIED:

- 0 PLC ±0.3
- 1 PLC ±0.1
- 2 PLC ±0.05
- 3 PLC ±
- 4 PLC ±
- ANGLES ±2°



MATERIAL

FINISH

PRODUCT SPEC

108-20090

APPLICATION SPEC

412-20000

WEIGHT

3.65gr

AMP SUPERSEAL 1.5 SRS.
3 POSITIONS PLUG ASS'Y

SIZE

A300779

CAGE CODE

C=282087

DRAWING NO

RESTRICTED TO

Customer Drawing

SCALE 3:1

SHEET 2 OF 2

REV C6