

4

3

2

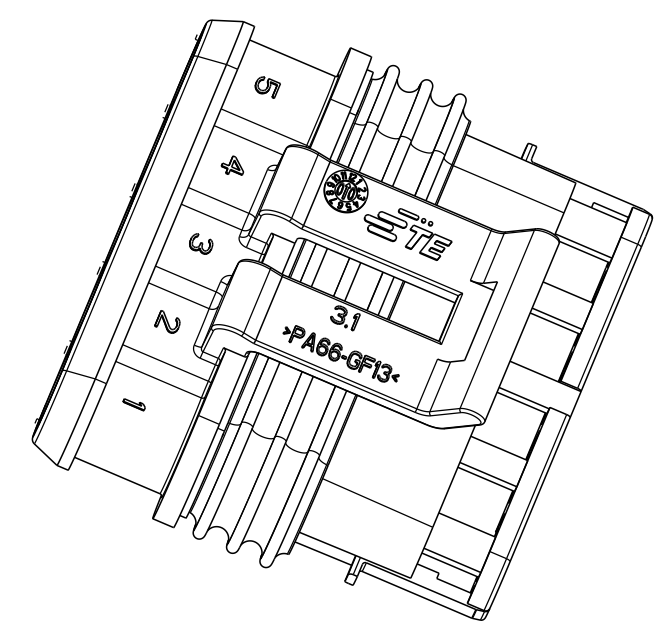
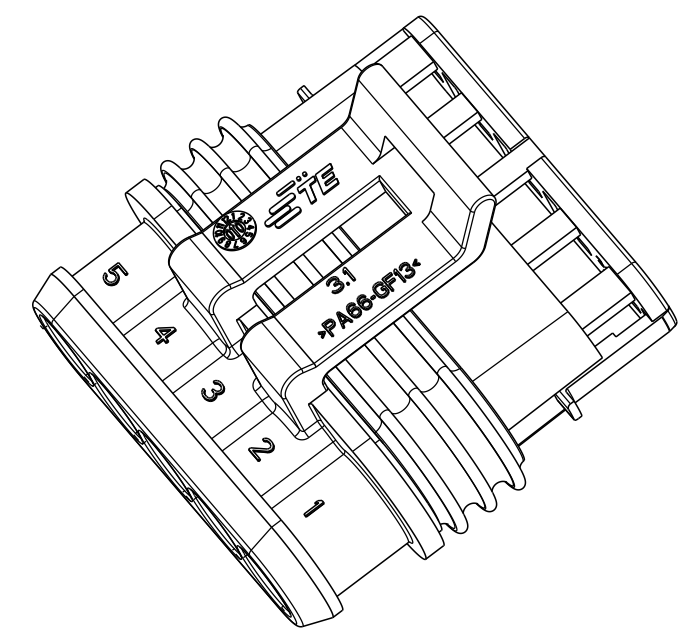
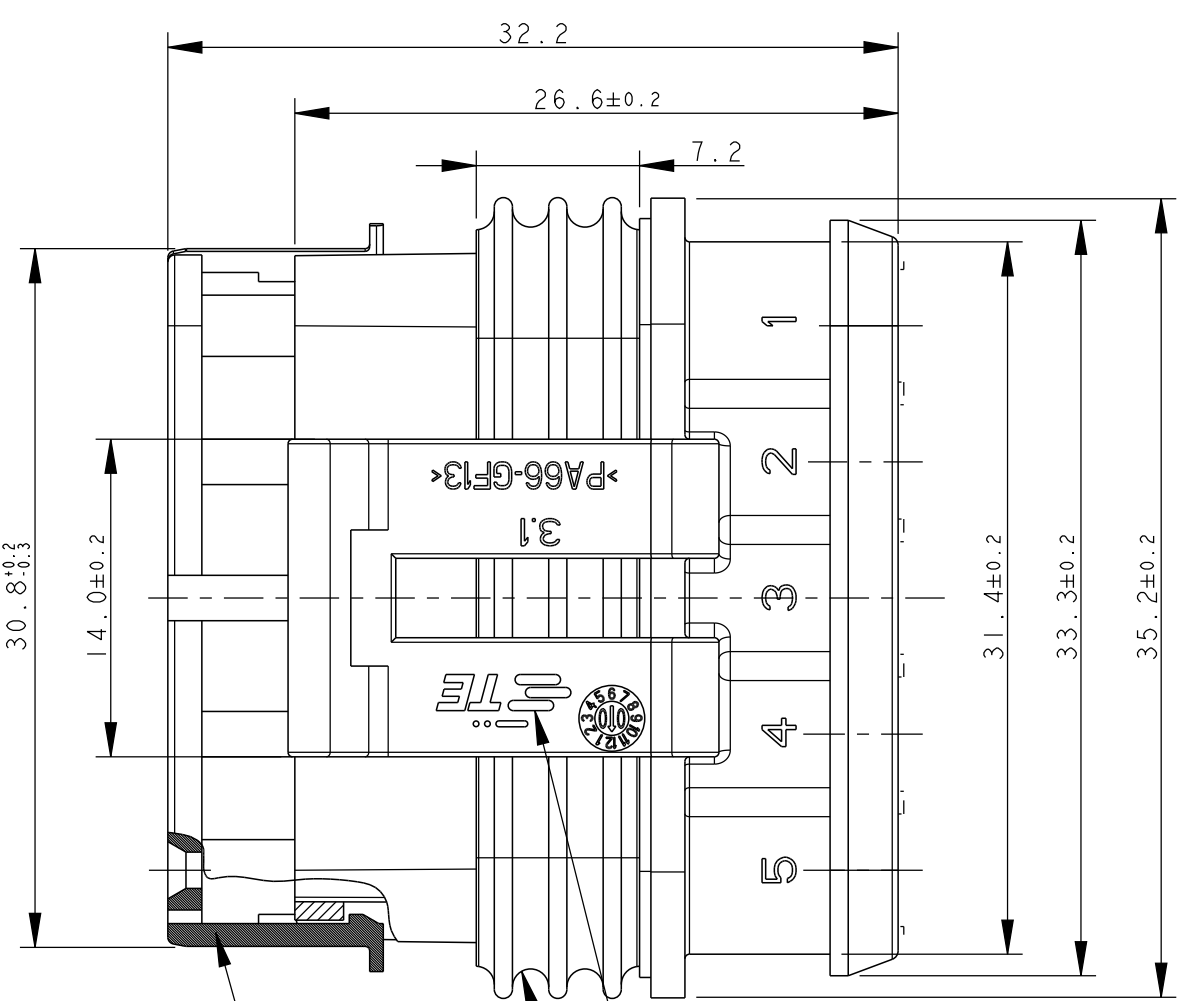
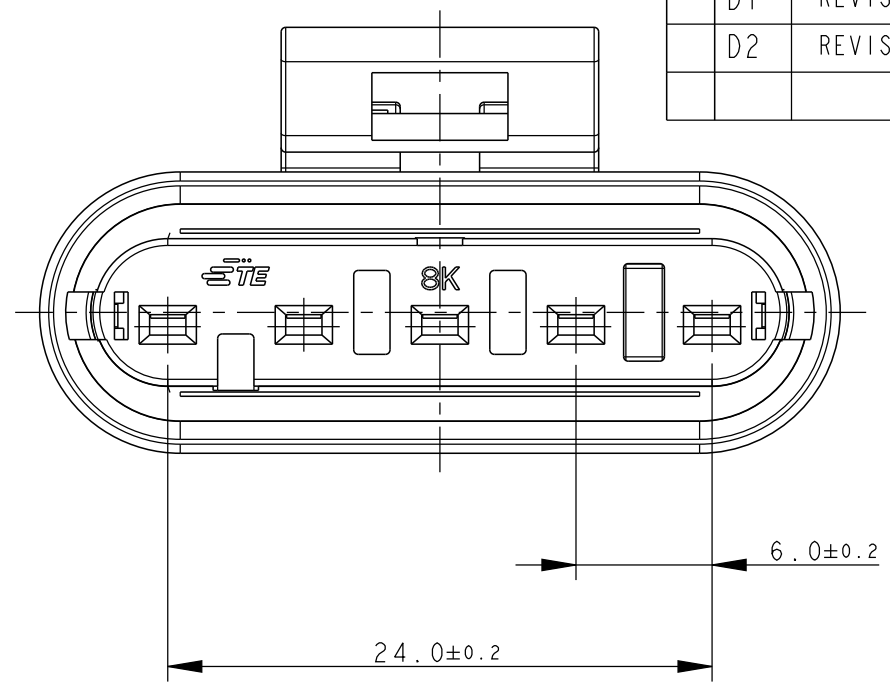
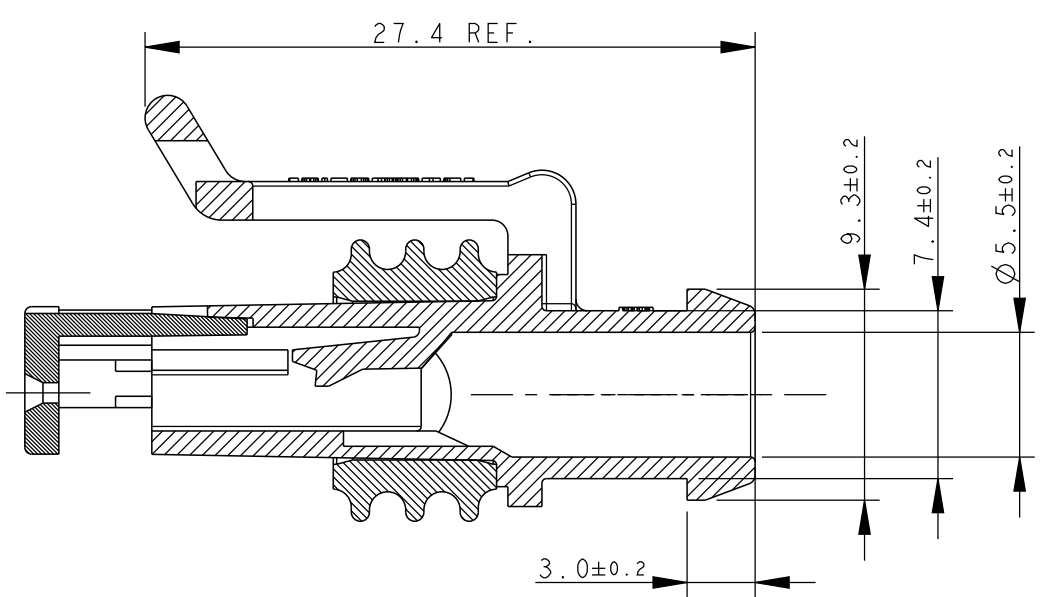
1

THIS DRAWING IS UNPUBLISHED. RELEASED FOR PUBLICATION 2011

© COPYRIGHT 2011 BY - ALL RIGHTS RESERVED.

REVISIONS

P	LTR	DESCRIPTION	DATE	DWN	APVD
	D	ECR-14-009314	24MAR2015	M. P.	M. G.
	D1	REVISED (ECR-15-014031)	25SEP2015	M. G.	M. G.
	D2	REVISED PER ECO-17-001706	10FEB2017	C. A.	M. G.



1) FOR COUNTERPART DETAILS, SEE SHEET 2 OF 2

FINISH/COLOR	MATERIAL	PART NUMBER
GRAY	HOUSING+SEC. LOCK: PA66-GF SEALING: LSR	282089-2
BLACK	HOUSING+SEC. LOCK: PA66-GF SEALING: LSR	282089-1

TE CONNECTIVITY TRADE MARK,  
(IN ALTERNATIVE: "AMP" LOGO,  
OR "Tyco Electronics" LOGO)

SEALING  
(COLOUR YELLOW)

PRE-ASSEMBLED SECONDARY LOCK  
(COLOUR RED)

THIS DRAWING IS A CONTROLLED DOCUMENT.

DWN C. BERTINI 05-1992  
CHK A. BRUNI 05-1992  
APVD -

NAME -

PRODUCT SPEC 108-20090  
APPLICATION SPEC 412-20000  
WEIGHT 5.45gr

**STE** TE Connectivity

AMP SUPERSEAL 1.5 SRS.  
5 POSITIONS PLUG ASS'Y

SIZE A3 CAGE CODE 00779 DRAWING NO. C-282089 RESTRICTED TO -

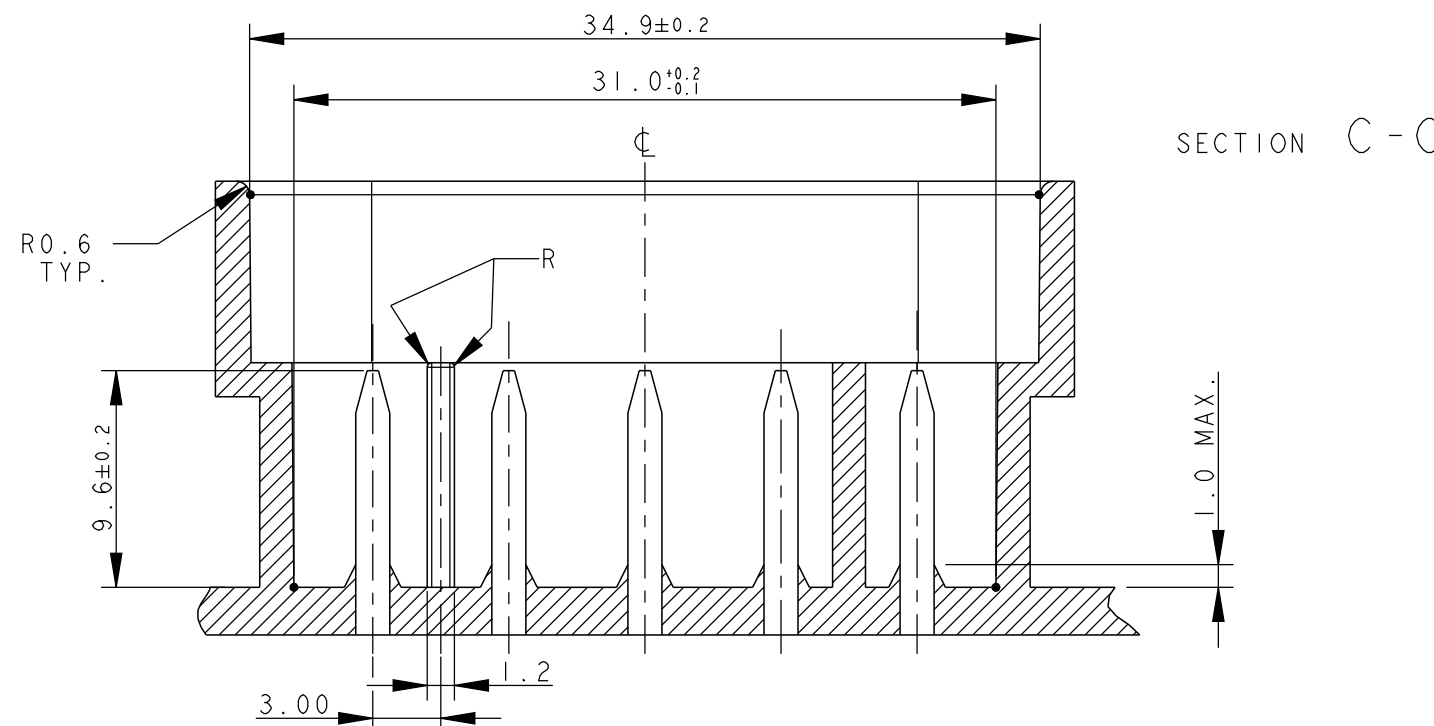
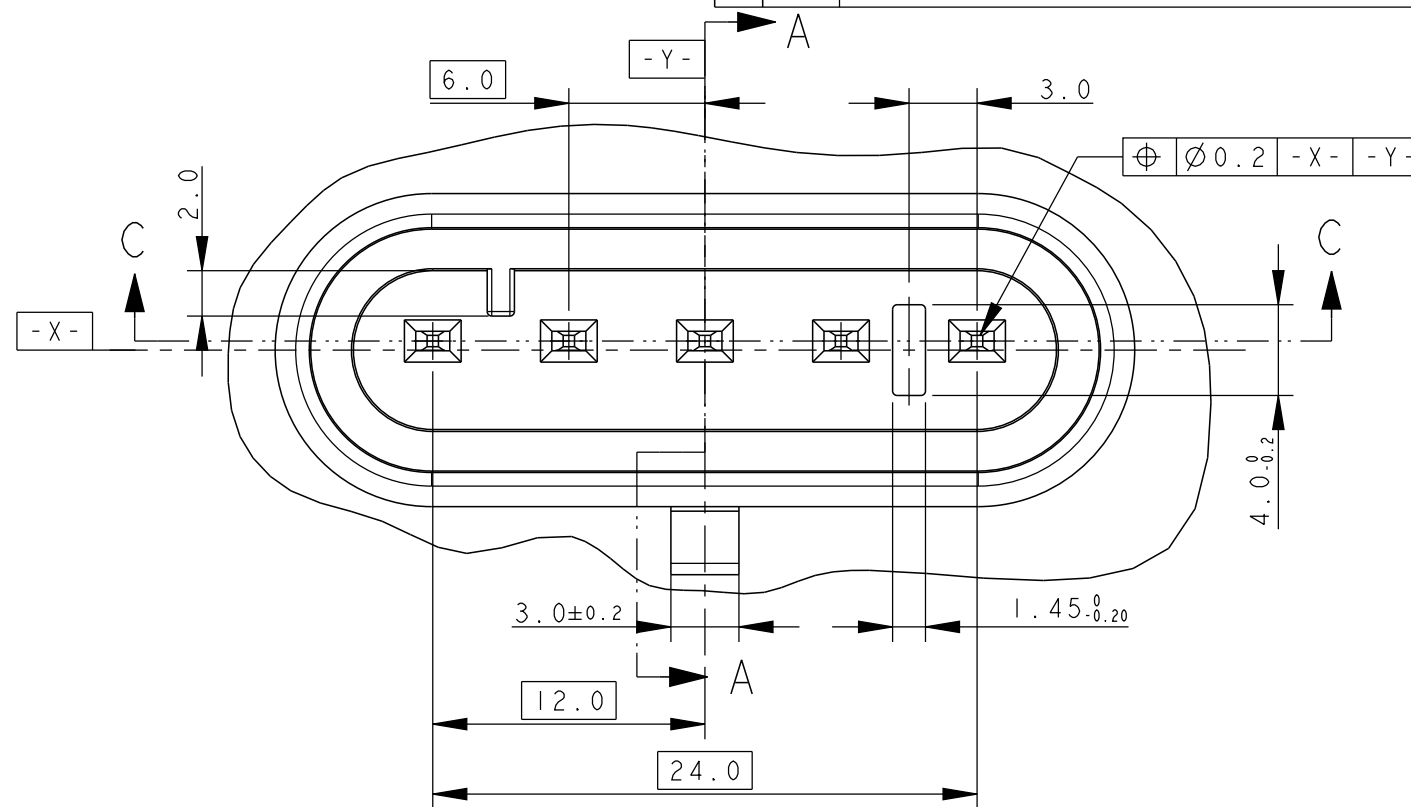
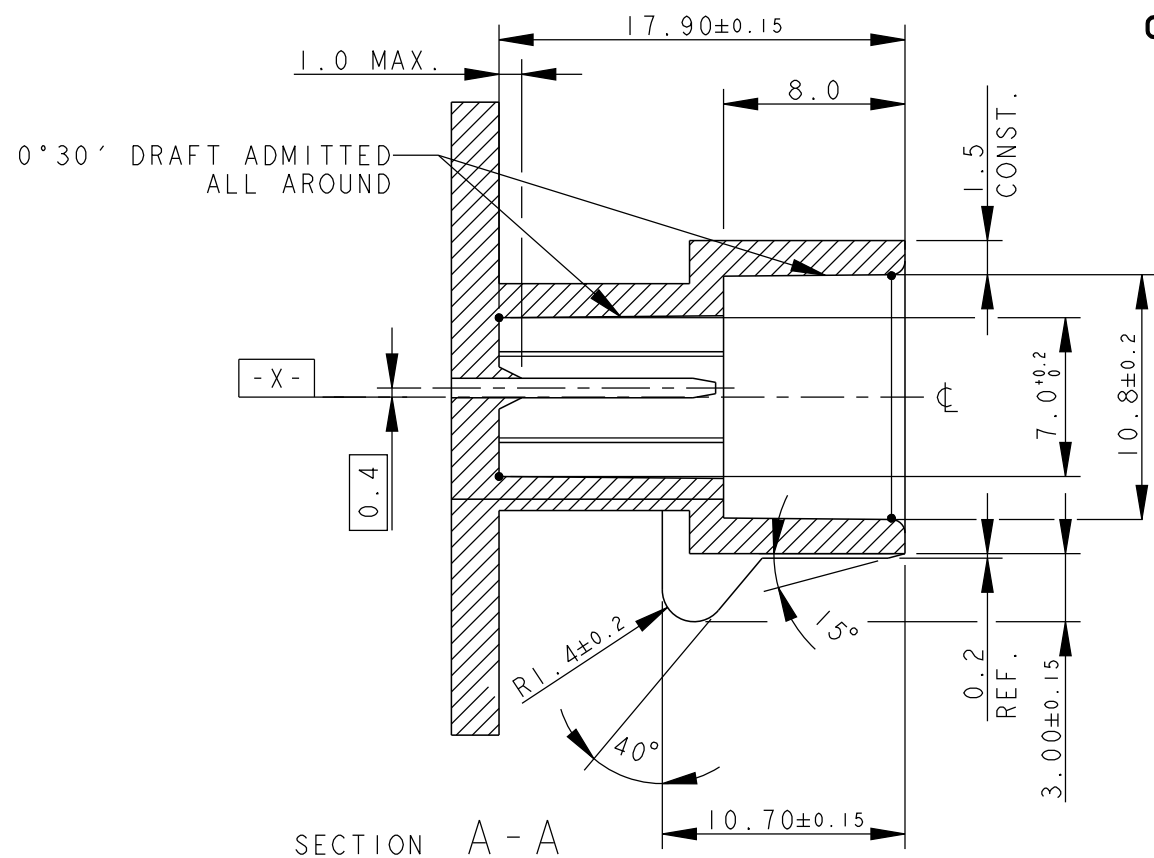
MATERIAL - FINISH -

SEE TABLE SEE TABLE

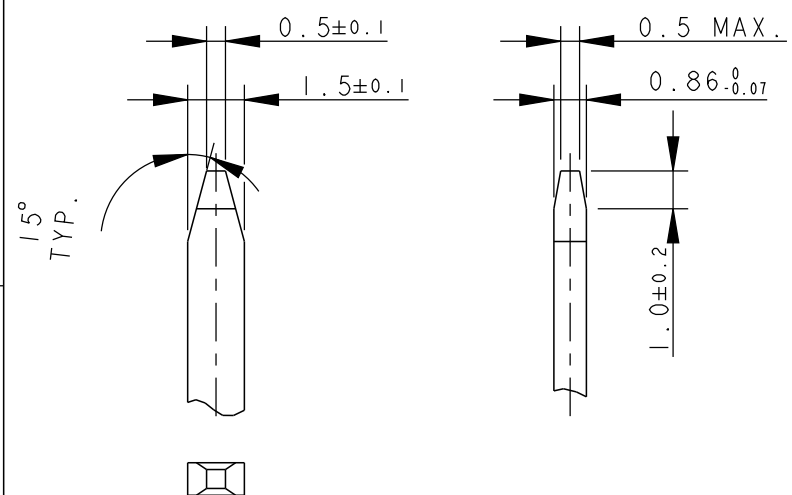
Customer Drawing SCALE 3:1 SHEET 1 OF 2 REV D2

P	LTR	DESCRIPTION	DATE	DWN	APVD
		SEE SHEET 1			

### COUNTERPART DETAILS



### TAB DETAILS



MATERIALS: PA66-GF FOR HOUSING  
TIN PLATED BRASS FOR TABS

THIS DRAWING IS A CONTROLLED DOCUMENT.		DWN C. BERTINI 05-1992	<b>TE Connectivity</b>		
DIMENSIONS: mm		CHK A. BRUNI 05-1992			
TOLERANCES UNLESS OTHERWISE SPECIFIED:		APVD -	NAME -		
0 PLC ±0.3 1 PLC ±0.1 2 PLC ±0.05 3 PLC ± 4 PLC ± ANGLES ±2°		PRODUCT SPEC 108-20090	AMP SUPERSEAL 1.5 SRS. 5 POSITIONS PLUG ASS'Y		
MATERIAL		APPLICATION SPEC 412-20000	SIZE A300779	CAGE CODE C=282089	RESTRICTED TO -
FINISH		WEIGHT 5.45gr	SCALE 1:1	SHEET 2 OF 2	REV D2
		Customer Drawing			