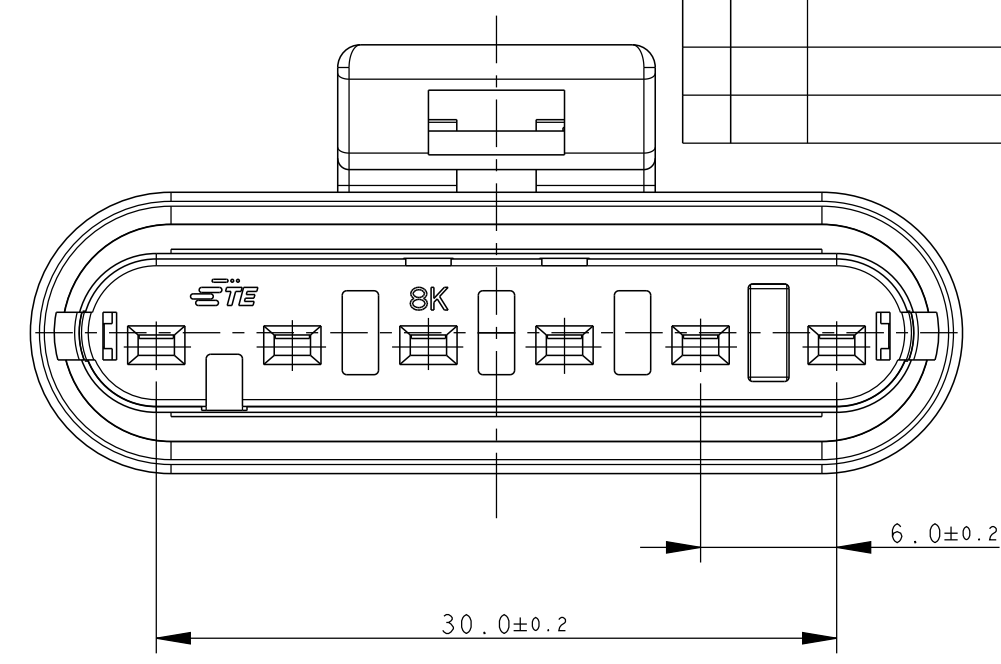
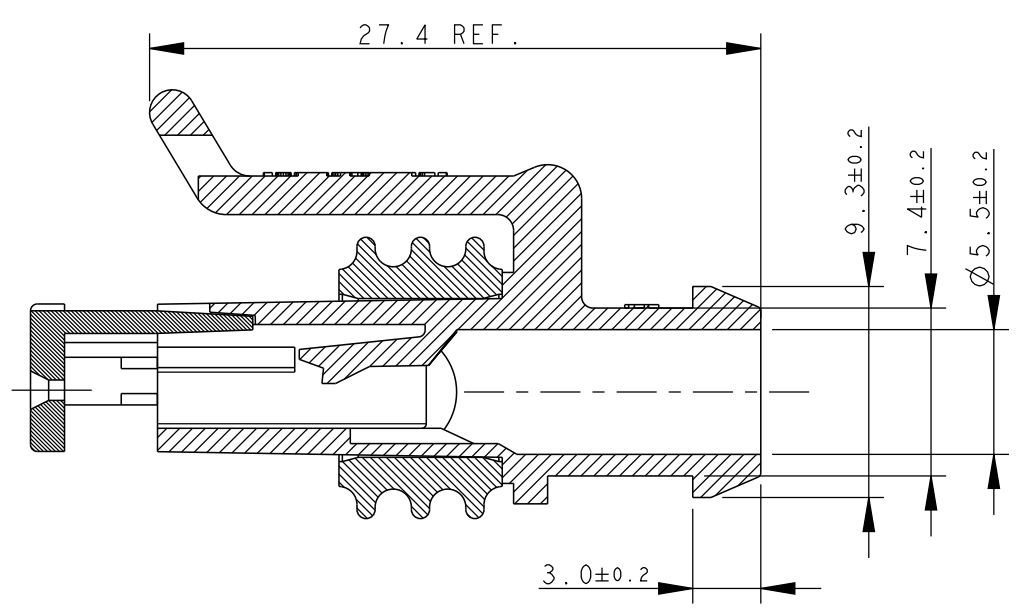


THIS DRAWING IS UNPUBLISHED. RELEASED FOR PUBLICATION 2011 ALL RIGHTS RESERVED.

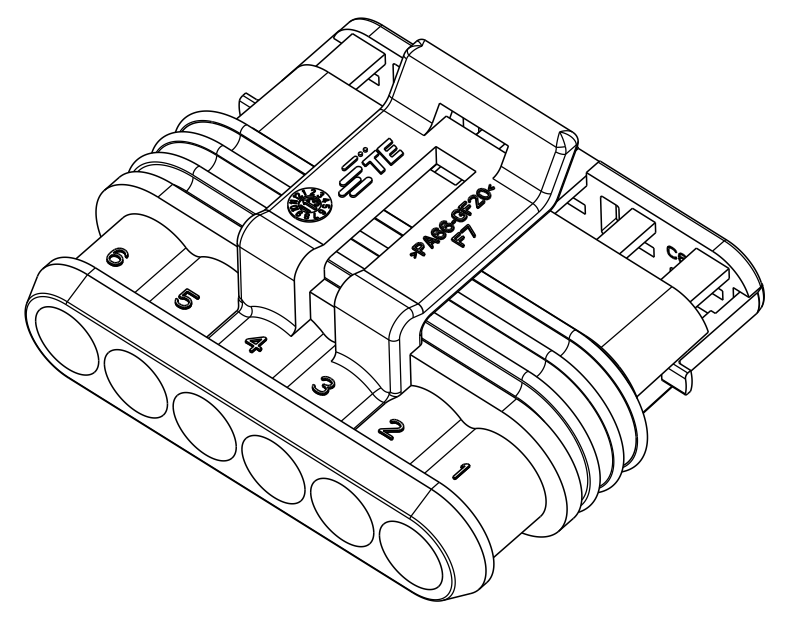
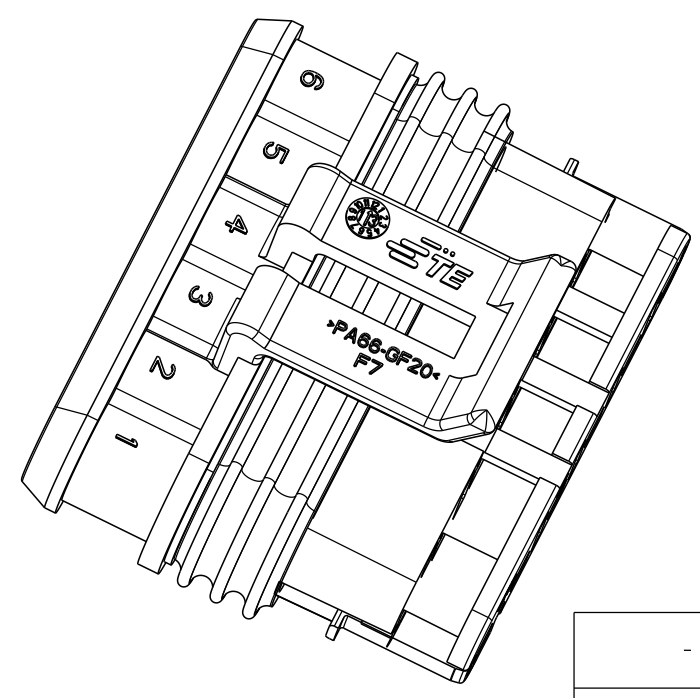
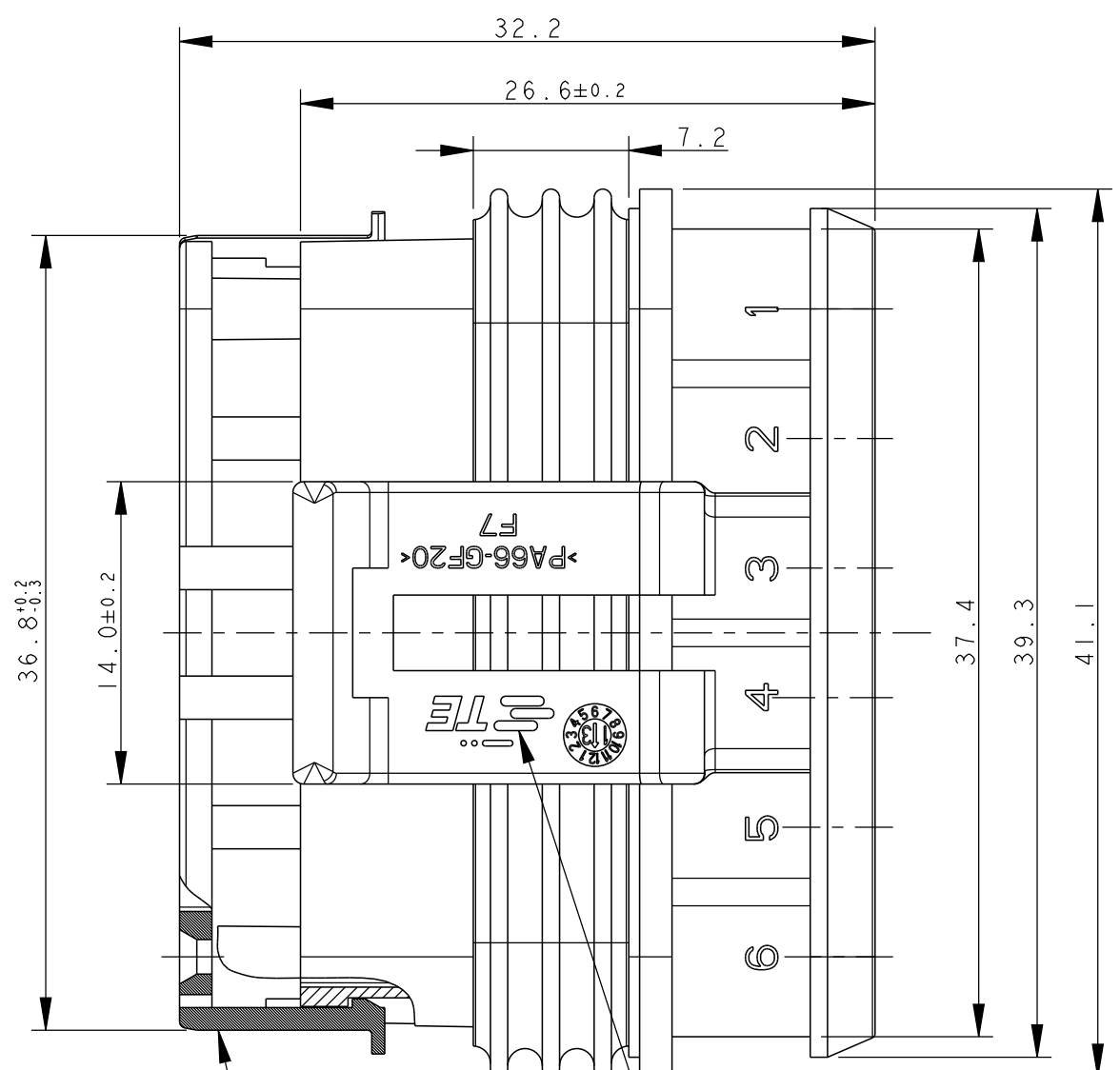
© COPYRIGHT 2011

REVISIONS

P	LTR	DESCRIPTION	DATE	DWN	APVD
	D	ECR-14-009314	24MAR2015	M.P.	M.G.



NOT YET RELEASED FOR PRODUCTION



1) FOR COUNTERPART DETAILS, SEE SHEET 2 OF 2

-	BLACK	PA66-GF	1745058-1
<b>NOTE</b>	<b>FINISH/COLOR</b>	<b>MATERIAL</b>	<b>PART NUMBER</b>

TE CONNECTIVITY TRADE MARK, (IN ALTERNATIVE: "AMP" LOGO, OR "Tyco Electronics" LOGO)

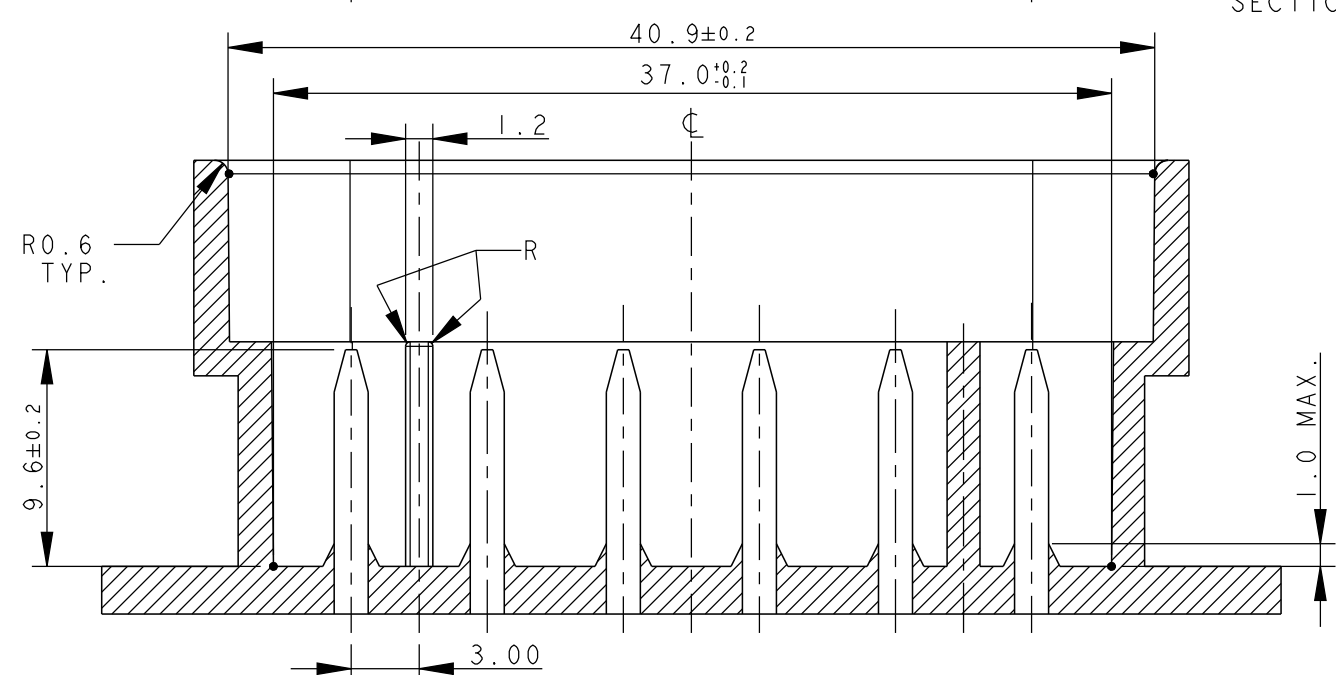
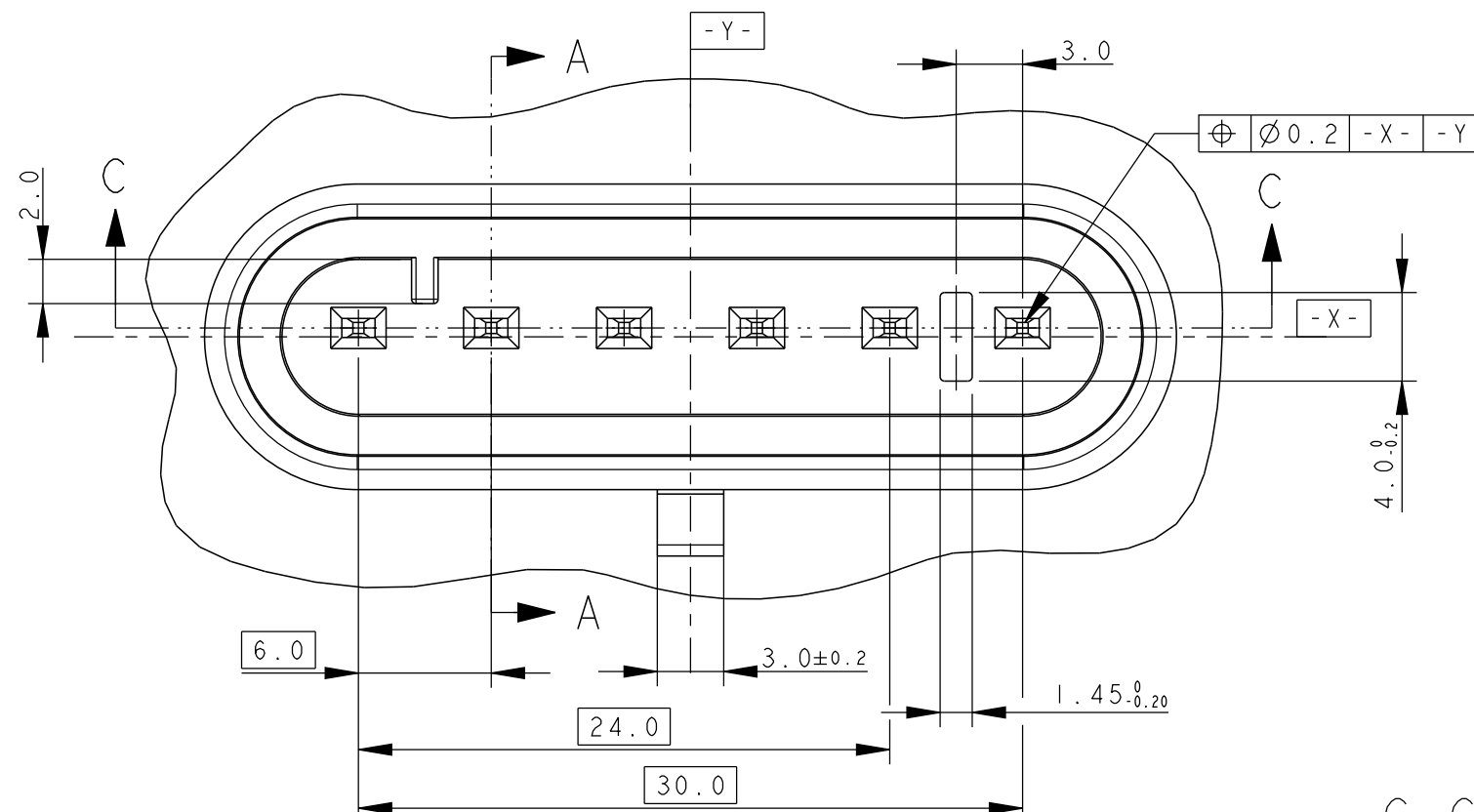
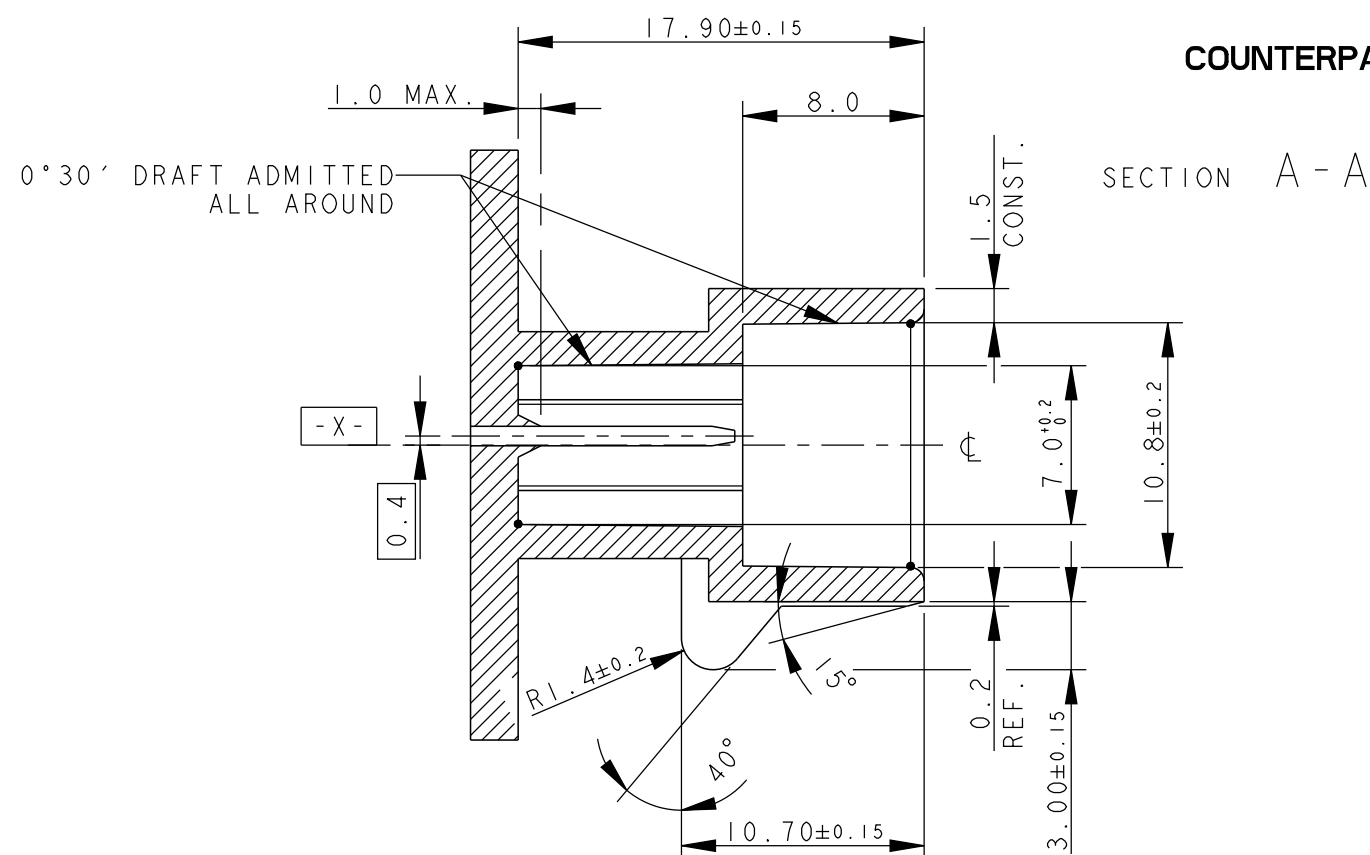
SEALING (SILICONE RUBBER)

PRE-ASSEMBLED SECONDARY LOCK (RED COLOR)

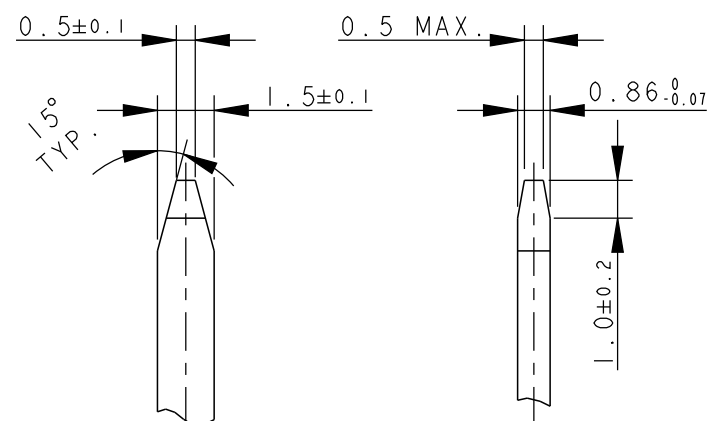
THIS DRAWING IS A CONTROLLED DOCUMENT.		DWN M. PALMA 22-06-2005	 TE Connectivity
DIMENSIONS: mm		CHK R. MARTINI 22-06-2005	
TOLERANCES UNLESS OTHERWISE SPECIFIED:		APVD -	
0 PLC ±- 1 PLC ±0.3 2 PLC ±- 3 PLC ±- 4 PLC ±- ANGLES ±2°		PRODUCT SPEC 108-20090	
MATERIAL SEE TABLE (VEDI TABELLA)		APPLICATION SPEC 412-20000	NAME AMP SUPERSEAL 1.5 SRS. 6 POSITIONS PLUG ASS'Y
FINISH SEE TABLE (VEDI TABELLA)		WEIGHT 6.55gr	SIZE A3
CUSTOMER DRAWING		CAGE CODE 300779	DRAWING NO C=1745058
		SCALE 3:1	SHEET 1 OF 2
			REV D

P	LTR	DESCRIPTION	DATE	DWN	APVD
		SEE SHEET 1			

### COUNTERPART DETAILS



### TAB DETAILS



**MATERIALS:** PA66-GF FOR HOUSING  
TIN PLATED BRASS FOR TABS

THIS DRAWING IS A CONTROLLED DOCUMENT.		DWN M. PALMA 22-06-2005	<b>STE</b> TE Connectivity	
		CHK R. MARTINI 22-06-2005		
DIMENSIONS: mm	TOLERANCES UNLESS OTHERWISE SPECIFIED:	APVD -	NAME -	
	0 PLC ± 1 PLC ±0.3 2 PLC ± 3 PLC ± 4 PLC ±	PRODUCT SPEC 108-20090	AMP SUPERSEAL 1.5 SRS. 6 POSITIONS PLUG ASS'Y	
MATERIAL	ANGLES ±2° FINISH	APPLICATION SPEC 412-20000	SIZE A300779	CAGE CODE C=1745058
		WEIGHT -	DRAWING NO	RESTRICTED TO -
CUSTOMER DRAWING		SCALE 5:1	SHEET 2 OF 2	REV D