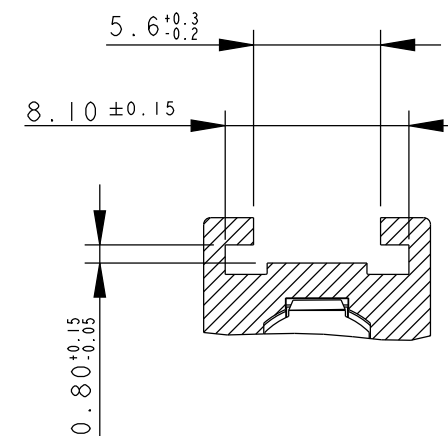
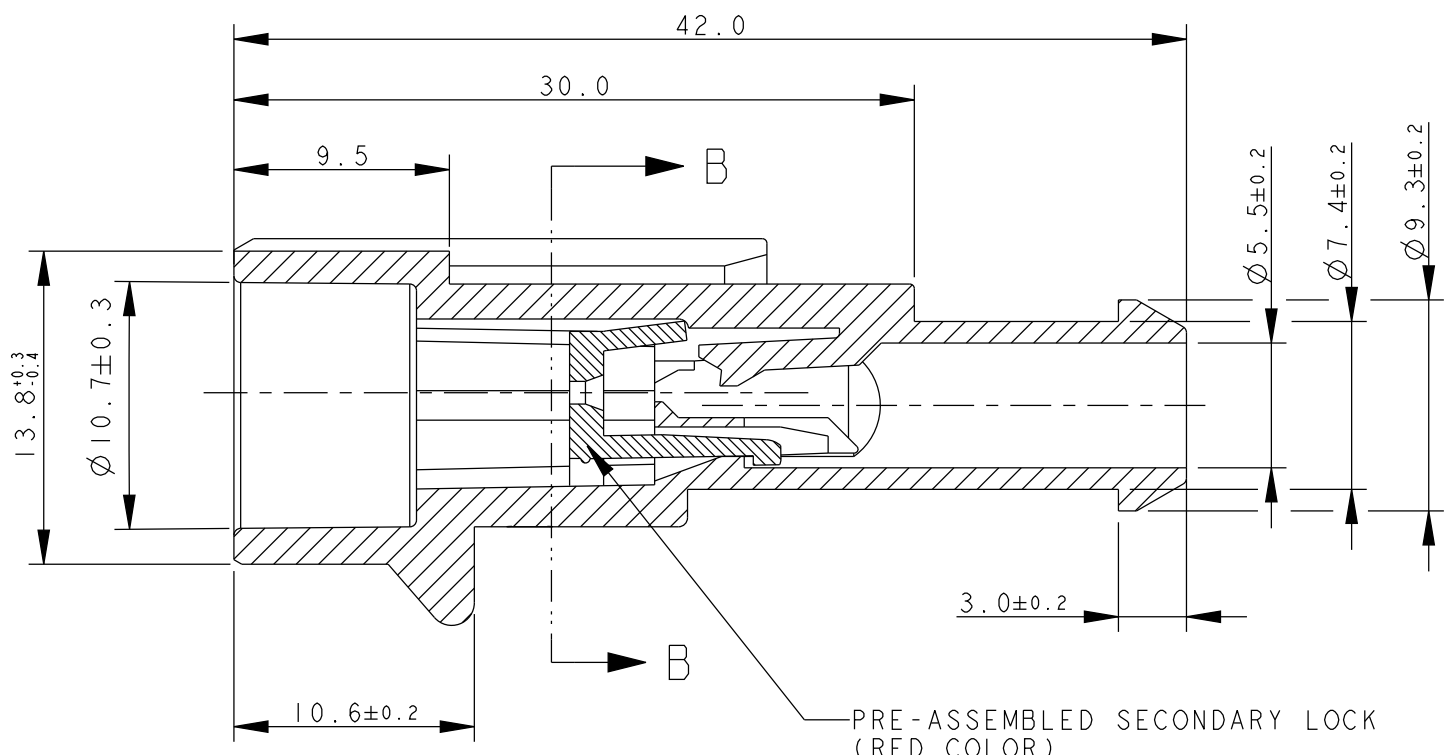
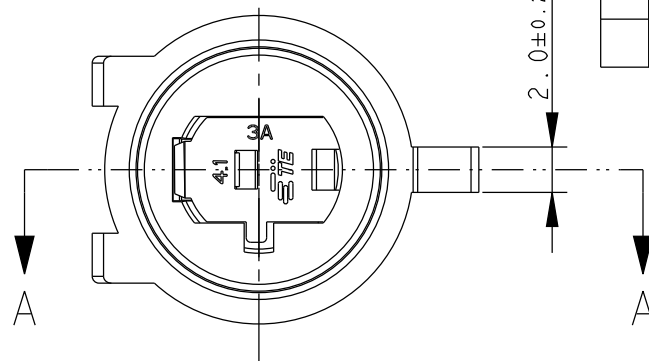
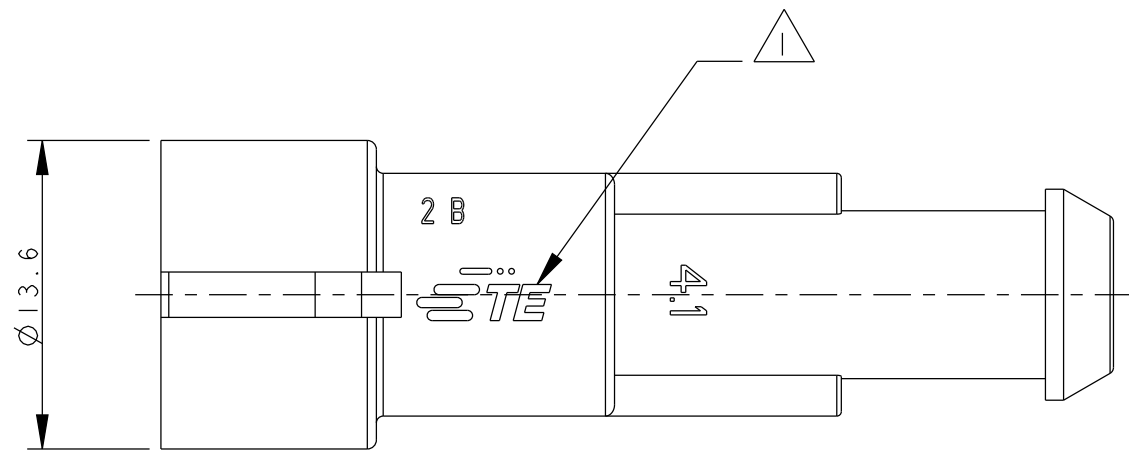


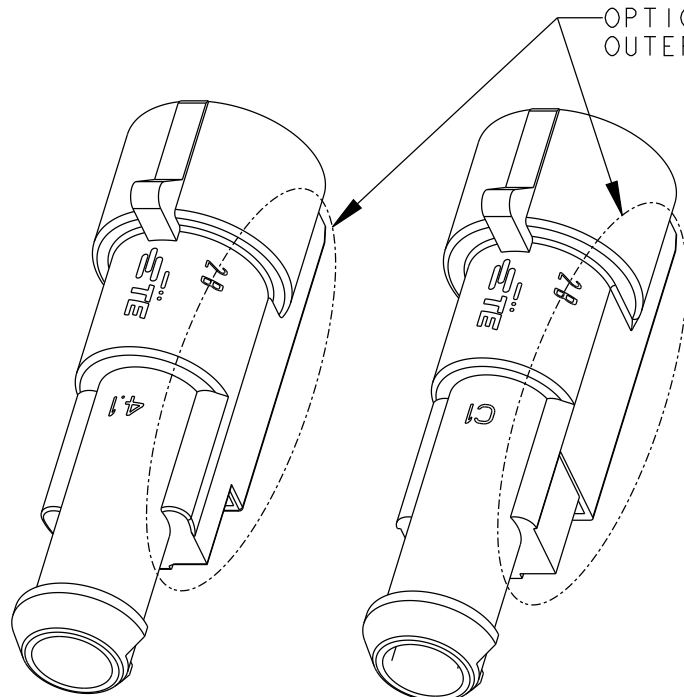
REVISIONS

P	LTR	DESCRIPTION	DATE	DWN	APVD
B1		REVISED (ECO-17-009774)	06SEP2017	M.G.	M.G.
B2		REVISED PER ECO-18-003893	05MAR2018	AP	VN
B3		REVISED PER ECO-20-002019	12FEB2020	AP	VN
B4		REVISED PER ECN-21-110072	21JUL2021	AP	VN



1 TE CONNECTIVITY TRADE MARK, (IN ALTERNATIVE: "AMP" LOGO, OR "Tyco Electronics" LOGO)

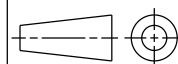
OPTIONAL SHAPE OF OUTER PROFILE



BROWN	PA66-GF	B	4-282103-1
GRAY	PA66-GF	B	282103-2
BLACK	PA66-GF	B	282103-1
FINISH/COLOR	MATERIAL	REV	PART NUMBER

THIS DRAWING IS A CONTROLLED DOCUMENT.

DIMENSIONS:
mm



MATERIAL
SEE TABLE

TOLERANCES UNLESS OTHERWISE SPECIFIED:

0 PLC ±
1 PLC ± 0.3
2 PLC ±
3 PLC ±
4 PLC ±
ANGLES ± 2°

FINISH
SEE TABLE

DWN C. BERTINI 02-1990

CHK A. BRUNI 02-1990

APVD -

PRODUCT SPEC

108-20090

APPLICATION SPEC

412-20000

WEIGHT 2.83g

Customer Drawing

NAME
AMP SUPERSEAL 1.5 SRS.
1 POSITION TAB ASS'Y

SIZE CAGE CODE DRAWING NO RESTRICTED TO
A300779 C=282103 -

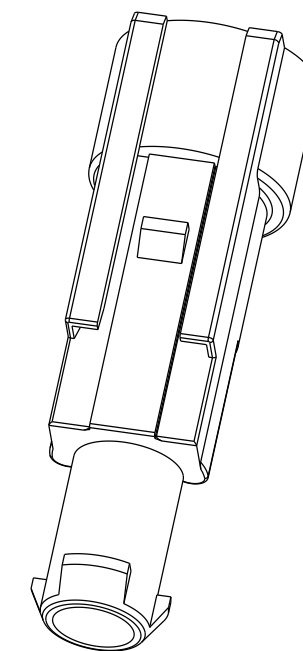
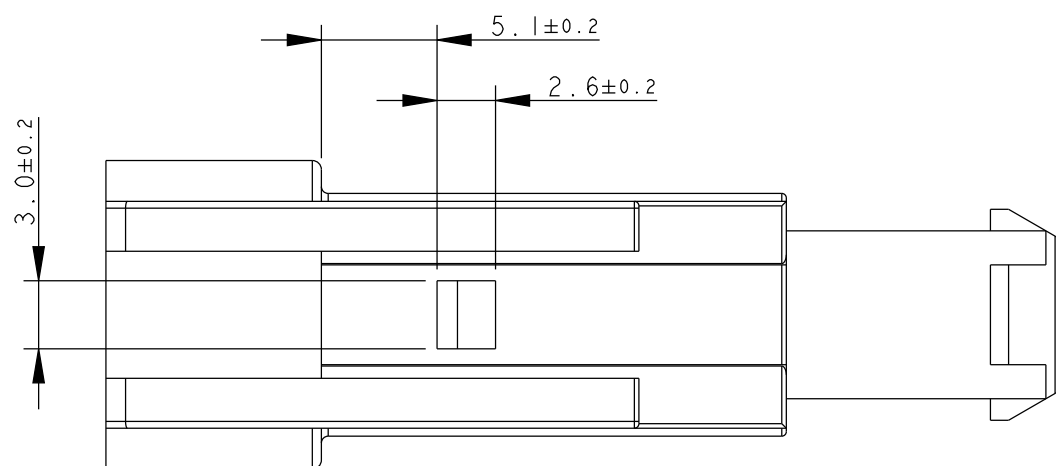
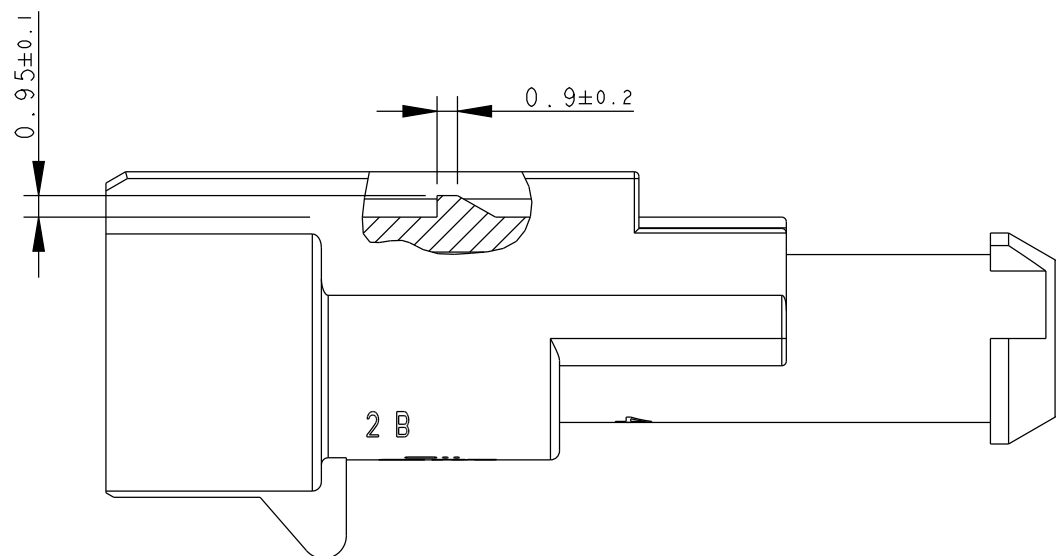
SCALE 3:1 SHEET 1 OF 2 REV B4

STE TE Connectivity


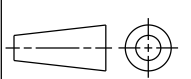
REVISIONS

P	LTR	DESCRIPTION	DATE	DWN	APVD
-	-	SEE SHEET 1	-	-	-

REFER SHEET 1 FOR MISSING DIMENSIONS



4-282103-1 AS SHOWN

THIS DRAWING IS A CONTROLLED DOCUMENT.		DWN C. BERTINI 02-1990	 TE Connectivity	
DIMENSIONS: mm		CHK A. BRUNI 02-1990		
		APVD -	NAME AMP SUPERSEAL 1.5 SRS. 1 POSITION TAB ASS'Y	
TOLERANCES UNLESS OTHERWISE SPECIFIED:		PRODUCT SPEC 108-20090	-	
0 PLC ±-	± 0.3	APPLICATION SPEC 412-20000	SIZE A3	CAGE CODE 00779
1 PLC ± 0.3	±-	WEIGHT 2.83g	DRAWING NO C-282103	RESTRICTED TO -
2 PLC ±-	±-	Customer Drawing	SCALE 3:1	SHEET 2 OF 2
3 PLC ±-	±-			REV B4
4 PLC ±-	±-			
ANGLES ± 2°	± 2°			
MATERIAL - SEE TABLE	FINISH - SEE TABLE			