

THIS DRAWING IS UNPUBLISHED.

RELEASED FOR PUBLICATION

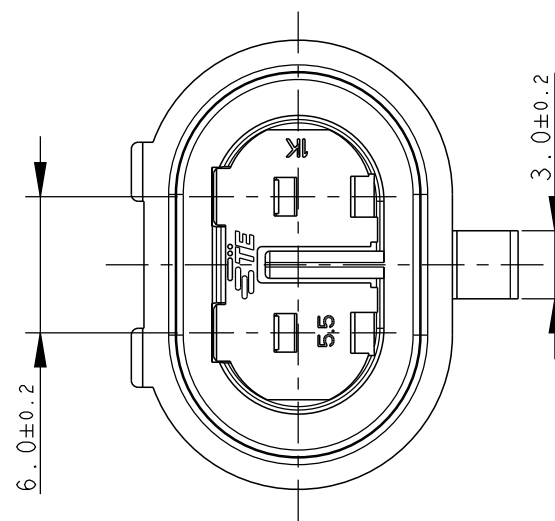
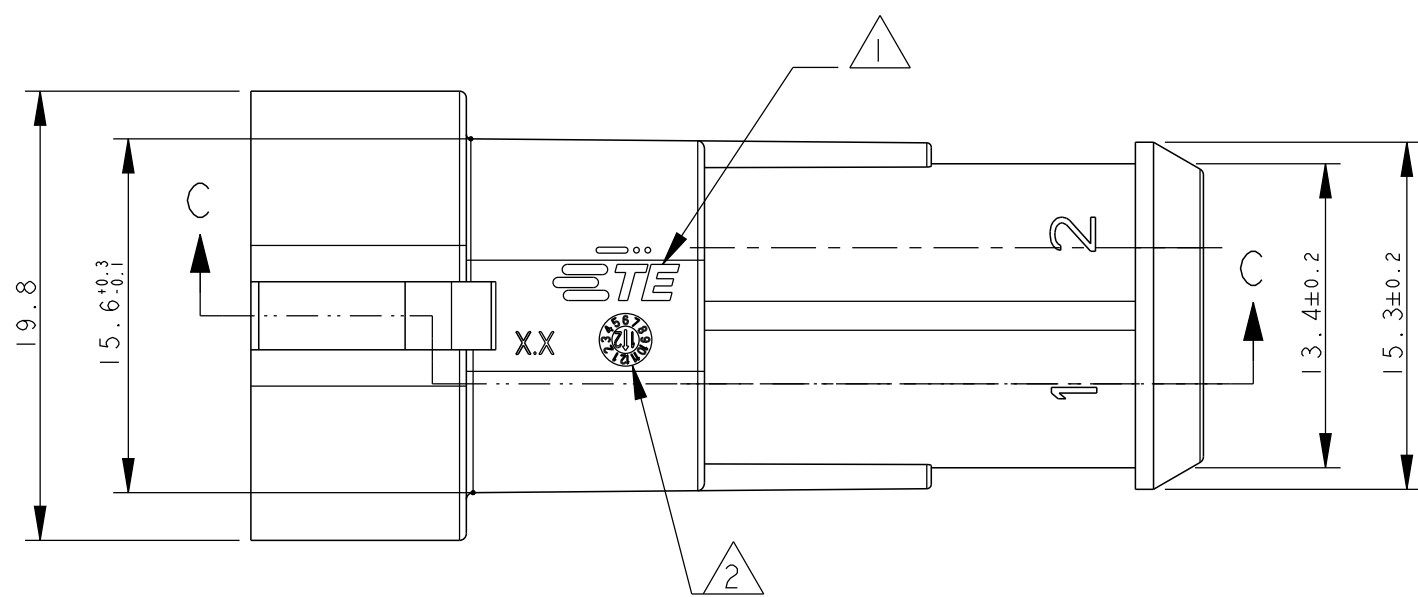
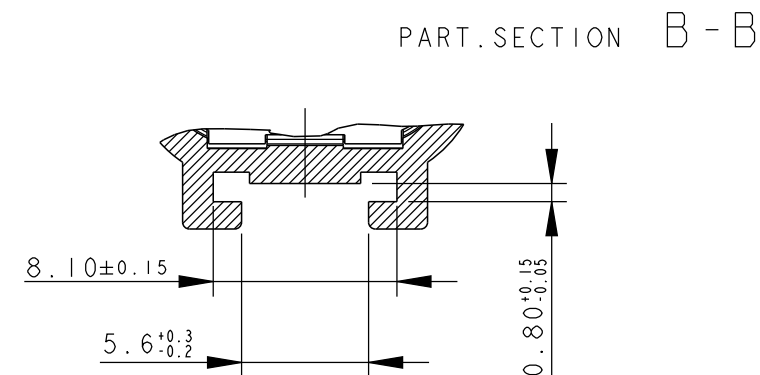
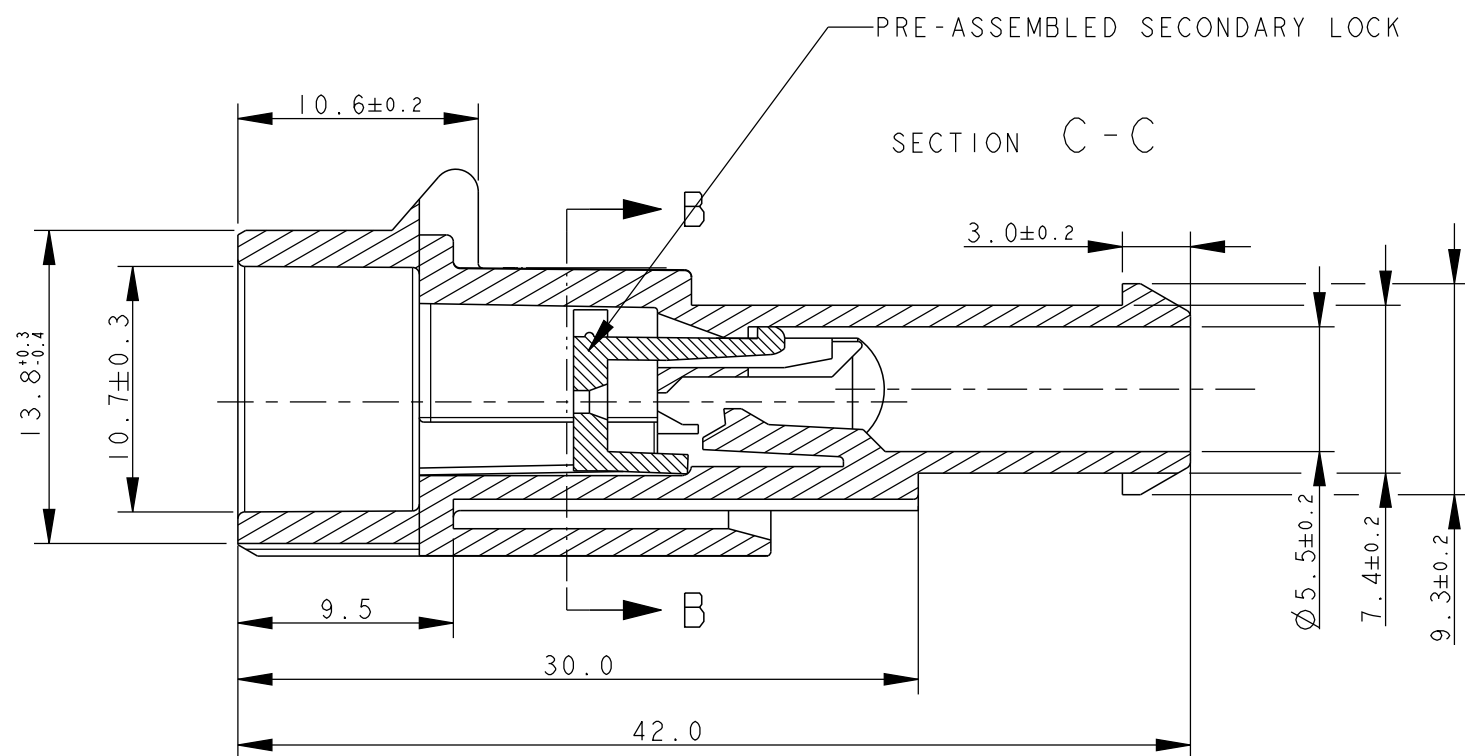
2007

© COPYRIGHT 2007 BY -

ALL RIGHTS RESERVED.

REVISIONS

P	LTR	DESCRIPTION	DATE	DWN	APVD
	B1	REVISED PER ECO-17-009774	06SEP2017	M.G.	M.G.
	B2	REVISED PER ECO-19-004916	29MAR2019	AP	VN



HSG: WHITE SEC. LOCK: WHITE	PA66-GF UL94-V2 ACC. TO IEC 60335-1	A	1745099-1
HSG: GREEN SEC. LOCK: RED	PA66-GF	B	282104-3
HSG: GRAY SEC. LOCK: RED	PA66-GF	B	282104-2
HSG: BLACK SEC. LOCK: RED	PA66-GF	B	282104-1
FINISH/COLOR	MATERIAL	REV	P/N

- 1 TE CONNECTIVITY TRADE MARK, (IN ALTERNATIVE: "AMP" LOGO, OR "Tyco Electronics" LOGO)
- 2 DATE CODE (OPTIONAL IN OLD MOULDS)

THIS DRAWING IS A CONTROLLED DOCUMENT.

DWN C. BERTINI 02-1990

CHK A. BRUNI 02-1990

APVD -

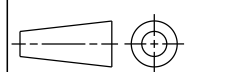
PRODUCT SPEC 108-20090

APPLICATION SPEC 412-20000

WEIGHT 3.72g

Customer Drawing

DIMENSIONS: mm



MATERIAL - SEE TABLE

TOLERANCES UNLESS OTHERWISE SPECIFIED:

- 0 PLC ±-
- 1 PLC ± 0.3
- 2 PLC ±-
- 3 PLC ±-
- 4 PLC ±-
- ANGLES ± 2°

FINISH - SEE TABLE



NAME AMP SUPERSEAL 1.5 SRS. 2 POSITIONS TAB ASS'Y

SIZE A3 CAGE CODE 00779 DRAWING NO C-282104 RESTRICTED TO -

SCALE 3:1 SHEET 1 OF 1 REV B2