

4

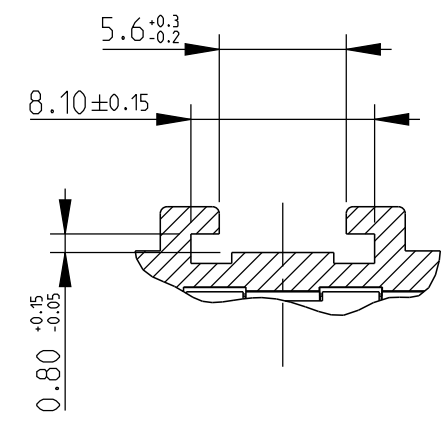
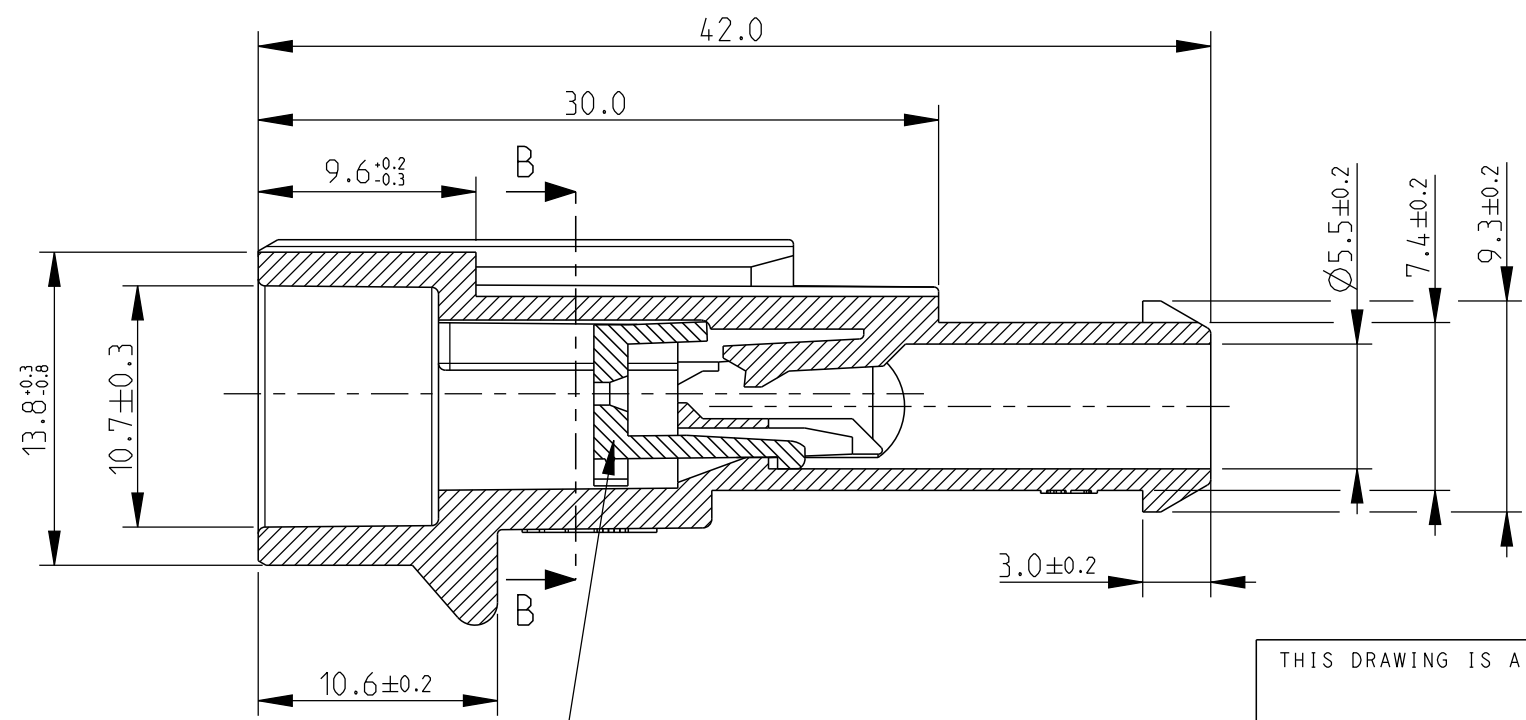
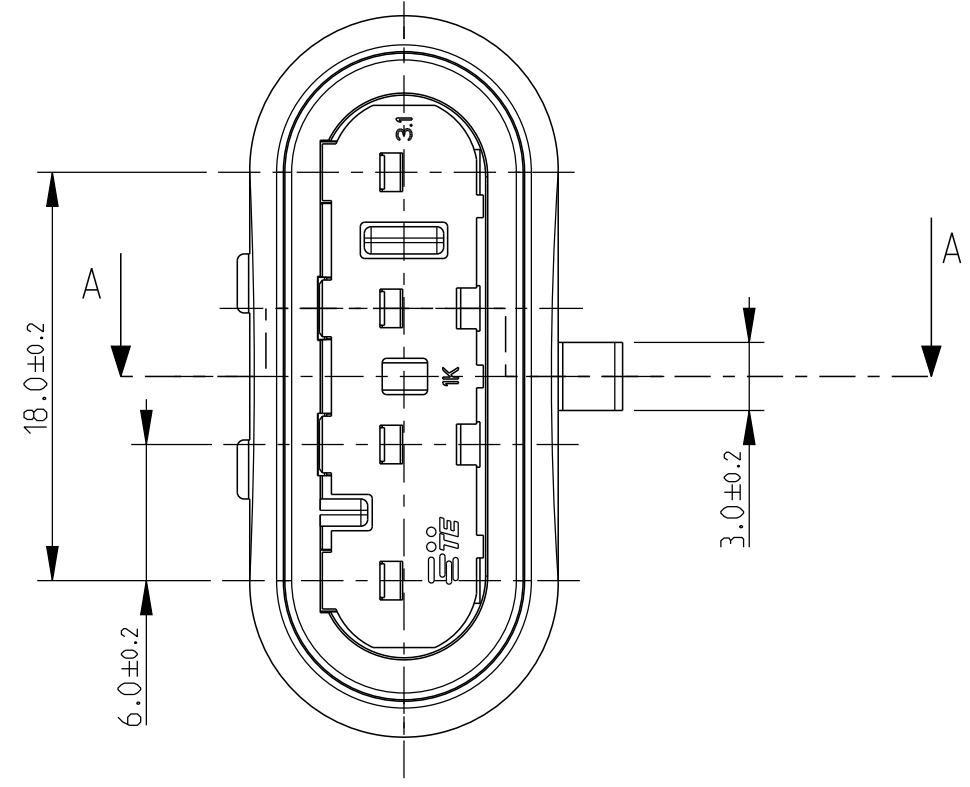
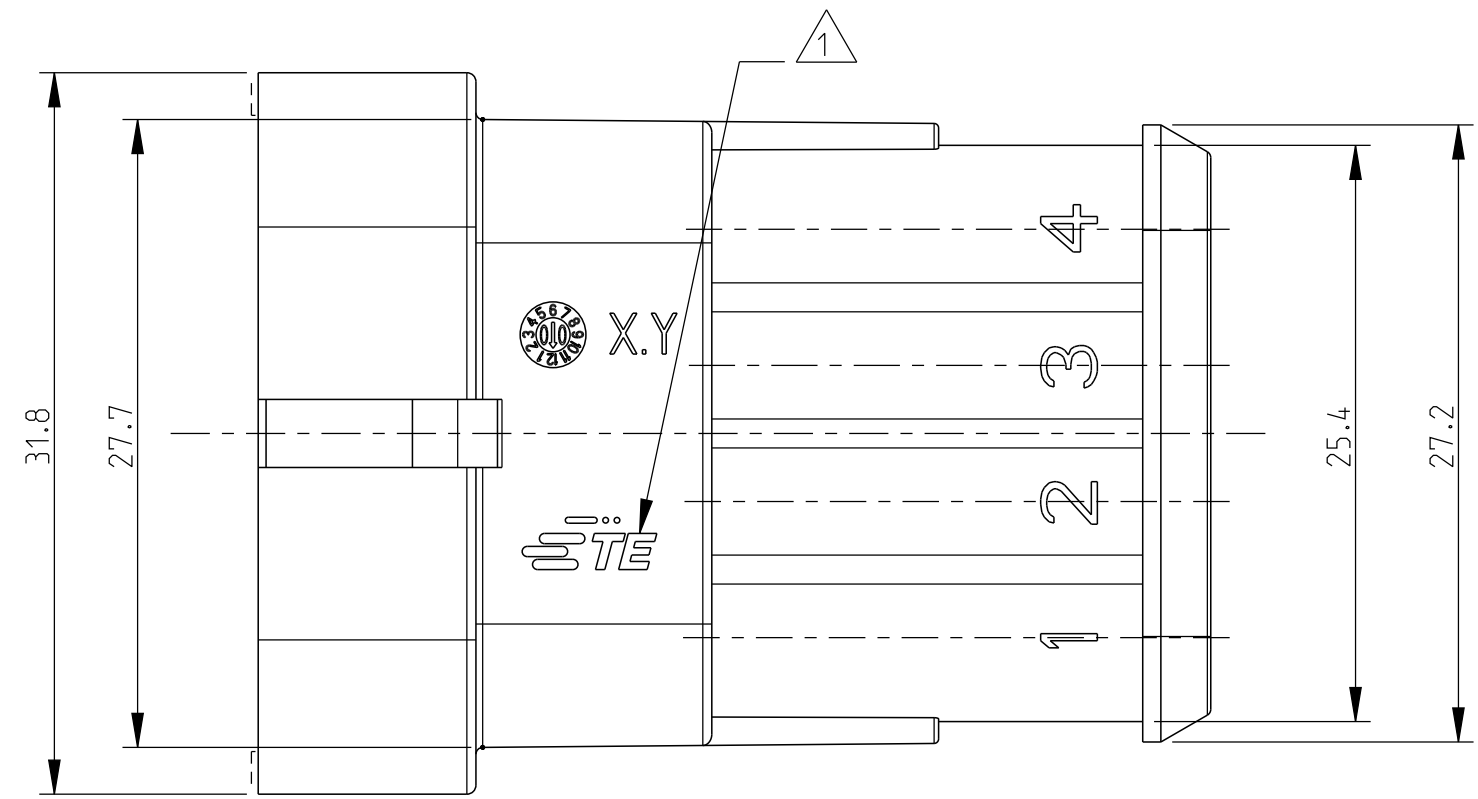
3

2

1

THIS DRAWING IS UNPUBLISHED. RELEASED FOR PUBLICATION 20
 © COPYRIGHT 20 BY - ALL RIGHTS RESERVED.

REVISIONS					
P	LTR	DESCRIPTION	DATE	DWN	APVD
B3		REVISED (ECO-17-009774)	06SEP2017	M.G.	M.G.
B4		REVISED PER ECO-20-002019	12FEB2020	AP	VN



PART. SECTION B-B

2	BROWN	PA66-GF	B	4-282106-1
	GRAY	PA66-GF	B	282106-2
	BLACK	PA66-GF	B	282106-1
	FINISH/COLOR	MATERIAL	REV	PART NUMBER

PRE-ASSEMBLED SECONDARY LOCK (RED COLOR)

1 TE CONNECTIVITY TRADE MARK, (IN ALTERNATIVE: "AMP" LOGO, OR "Tyco Electronics" LOGO)
 2 PRELIMINARY

THIS DRAWING IS A CONTROLLED DOCUMENT.		DWN 02 - 1990 C.BERTINI	TE Connectivity		
DIMENSIONS: mm		CHK 02 - 1990 A.BRUNI			
TOLERANCES UNLESS OTHERWISE SPECIFIED:		APVD -	NAME AMP SUPERSEAL 1,5 SERIES CONNECTORS 4 POSITIONS TAB ASS'Y		
0 PLC ±		PRODUCT SPEC 108-20090	SIZE A3		
1 PLC ± 0.3		APPLICATION SPEC 412-20000	CAGE CODE -	DRAWING NO C=282106	RESTRICTED TO
2 PLC ±		WEIGHT 6.14g	SCALE 3:1		
3 PLC ±		CUSTOMER DRAWING	SHEET 1 OF 2		
4 PLC ±			REV B4		
ANGLES ± 2°					
MATERIAL -					
FINISH -					
SEE TABLE					

4

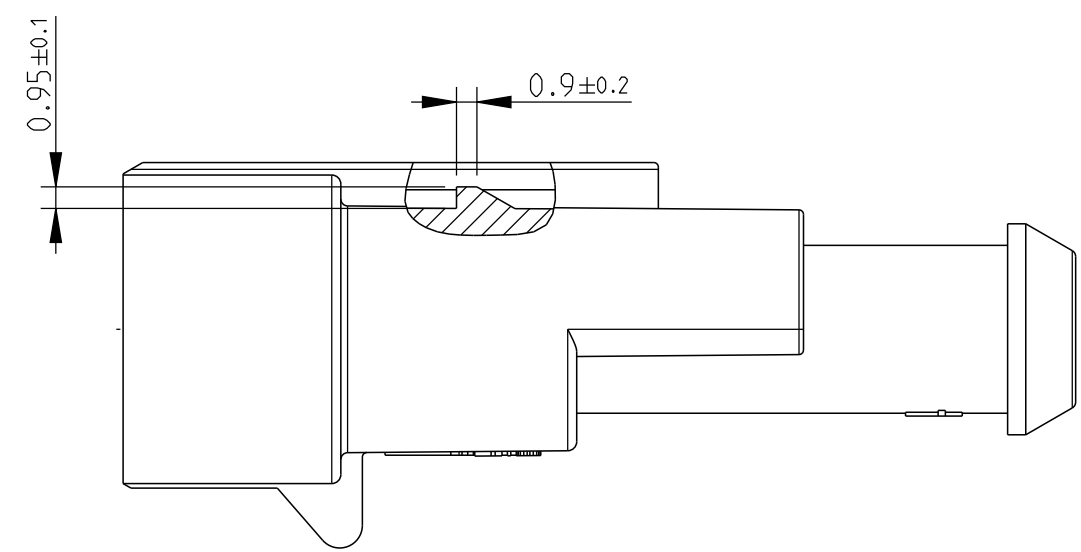
3

2

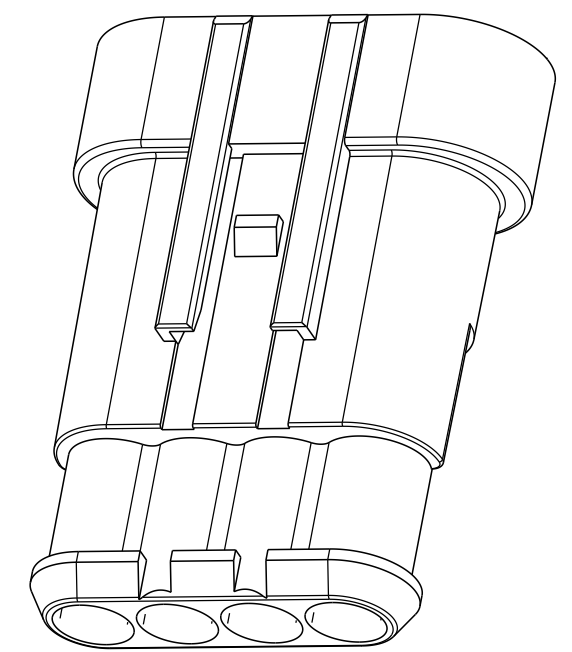
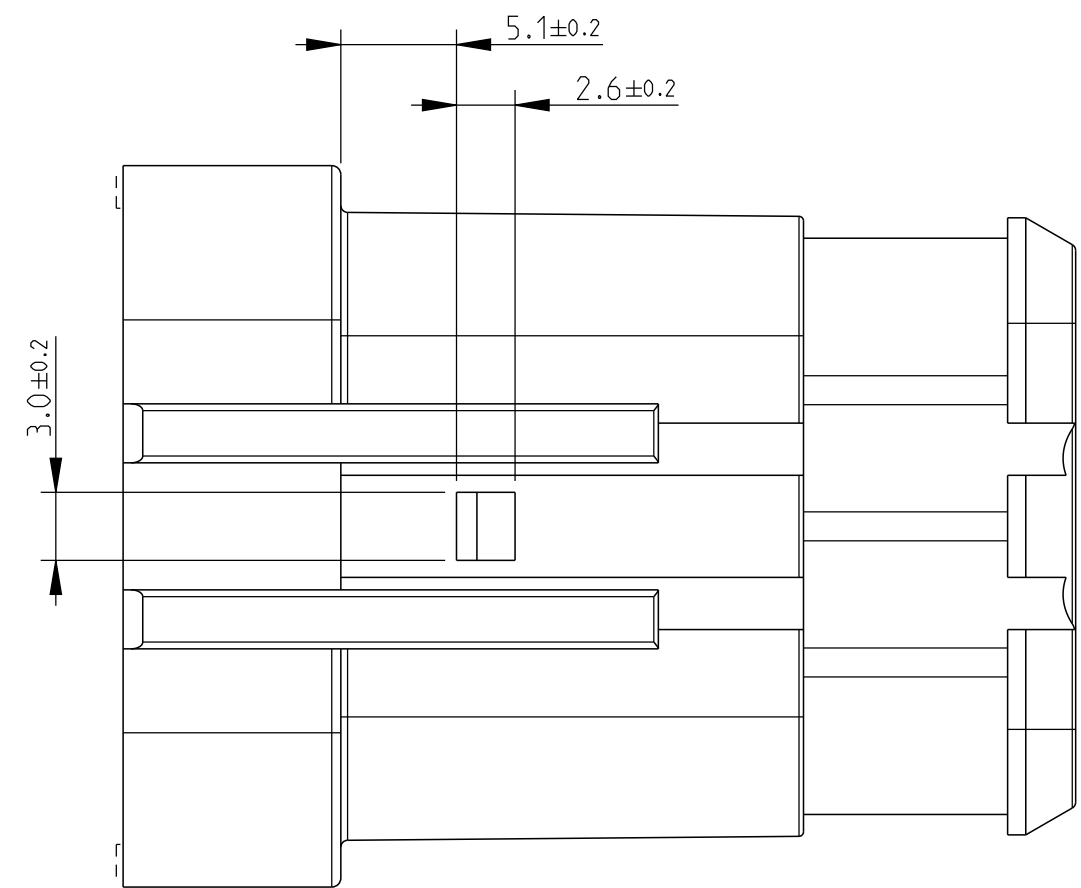
1

THIS DRAWING IS UNPUBLISHED. RELEASED FOR PUBLICATION 20
 © COPYRIGHT 20 BY - ALL RIGHTS RESERVED.

REVISIONS					
P	LTR	DESCRIPTION	DATE	DWN	APVD
-	-	SEE SHEET 1	-	-	-




REFER SHEET 1 FOR MISSING DIMENSIONS



PRELIMINARY

4-282106-1 AS SHOWN

THIS DRAWING IS A CONTROLLED DOCUMENT.		DWN C.BERTINI 02 - 1990	 TE Connectivity														
DIMENSIONS: mm		CHK A.BRUNI 02 - 1990															
TOLERANCES UNLESS OTHERWISE SPECIFIED:		APVD -	NAME AMP SUPERSEAL 1,5 SERIES CONNECTORS 4 POSITIONS TAB ASS'Y														
<table border="0"> <tr><td>0 PLC</td><td>±-</td></tr> <tr><td>1 PLC</td><td>± 0.3</td></tr> <tr><td>2 PLC</td><td>±-</td></tr> <tr><td>3 PLC</td><td>±-</td></tr> <tr><td>4 PLC</td><td>±-</td></tr> <tr><td>ANGLES</td><td>± 2°</td></tr> </table>		0 PLC	±-	1 PLC	± 0.3	2 PLC	±-	3 PLC	±-	4 PLC	±-	ANGLES	± 2°	PRODUCT SPEC 108-20090	SIZE A3		
0 PLC	±-																
1 PLC	± 0.3																
2 PLC	±-																
3 PLC	±-																
4 PLC	±-																
ANGLES	± 2°																
MATERIAL - SEE TABLE		APPLICATION SPEC 412-20000	CAGE CODE -	DRAWING NO C=282106	RESTRICTED TO												
FINISH - SEE TABLE		WEIGHT 6.14g	SCALE 3:1														
		CUSTOMER DRAWING	SHEET 2 OF 2		REV B4												