

4

3

2

1

THIS DRAWING IS UNPUBLISHED.

RELEASED FOR PUBLICATION

2009

© COPYRIGHT 2009 BY -

ALL RIGHTS RESERVED.

REVISIONS

P	LTR	DESCRIPTION	DATE	DWN	APVD
B1		REVISED PER ECO-17-009774	06SEP2017	M.G.	M.G.
B2		REVISED PER ECO-20-002019	12FEB2020	AP	VN
B3		REVISED PER ECN-21-125377	08NOV2021	VN	VN

PART SECTION B-B

PRE-ASSEMBLED SECONDARY LOCK
(RED COLOR)

△ TE CONNECTIVITY TRADE MARK,
(IN ALTERNATIVE: "AMP" LOGO, OR "Tyco Electronics" LOGO)

THIS DRAWING IS A CONTROLLED DOCUMENT.

DWN C. BERTINI 02-1990

CHK A. BRUNI 02-1990

APVD -

PRODUCT SPEC

108-20090

APPLICATION SPEC

412-20000

WEIGHT 7.72g

CUSTOMER DRAWING

DIMENSIONS:

mm

TOLERANCES UNLESS
OTHERWISE SPECIFIED:

0 PLC	±	0.3
1 PLC	±	0.3
2 PLC	±	
3 PLC	±	
4 PLC	±	
ANGLES		± 2°

MATERIAL

SEE TABLE

FINISH

SEE TABLE

BROWN	PA66-GF	B	4-282107-1
GRAY	PA66-GF	B	282107-2
BLACK	PA66-GF	B	282107-1
FINISH/COLOR	MATERIAL	REV	PART NUMBER

TE Connectivity

NAME
AMP SUPERSEAL 1.5 SRS.
5 POSITIONS TAB ASS'Y

SIZE CAGE CODE DRAWING NO RESTRICTED TO

A300779 C=282107

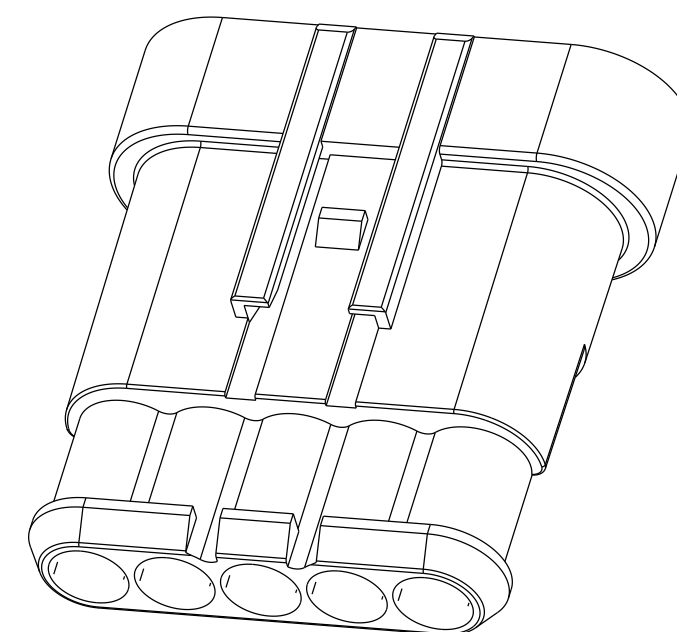
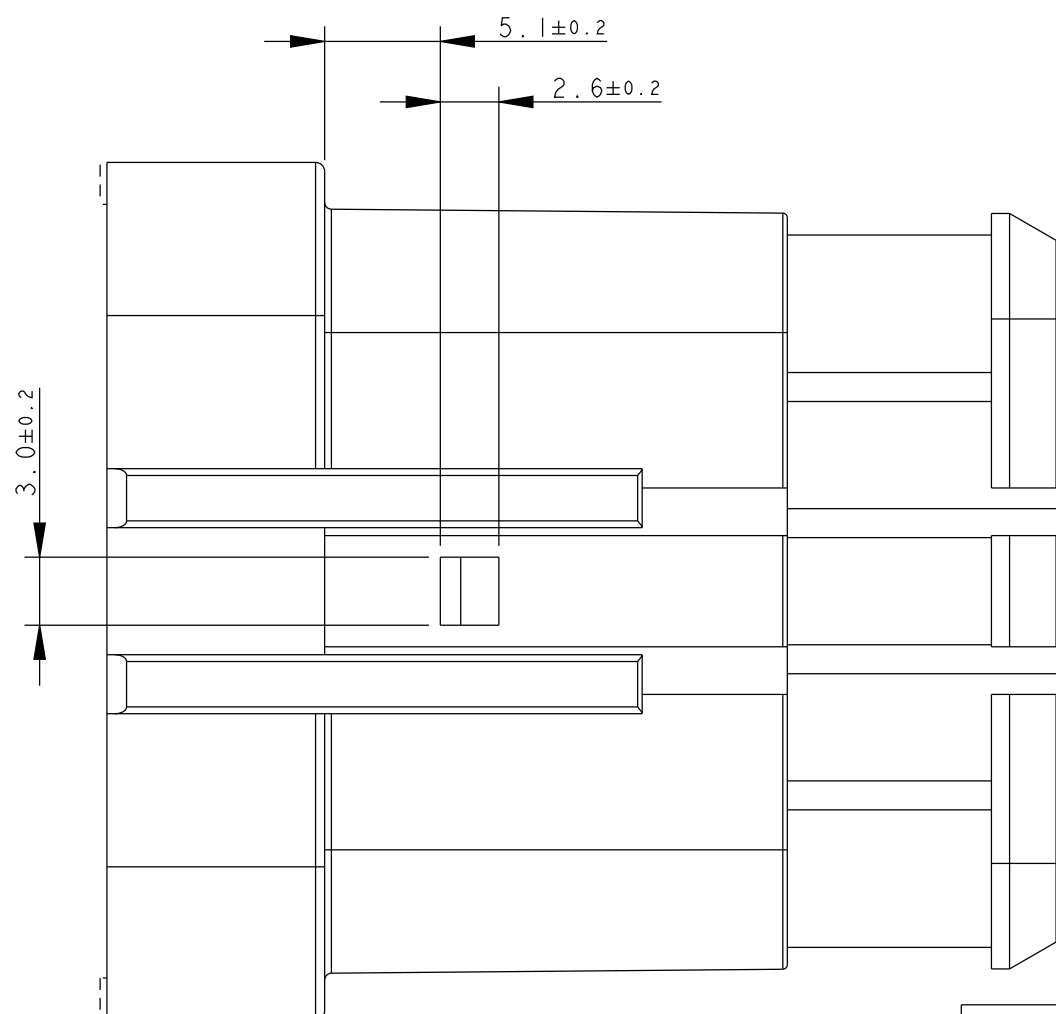
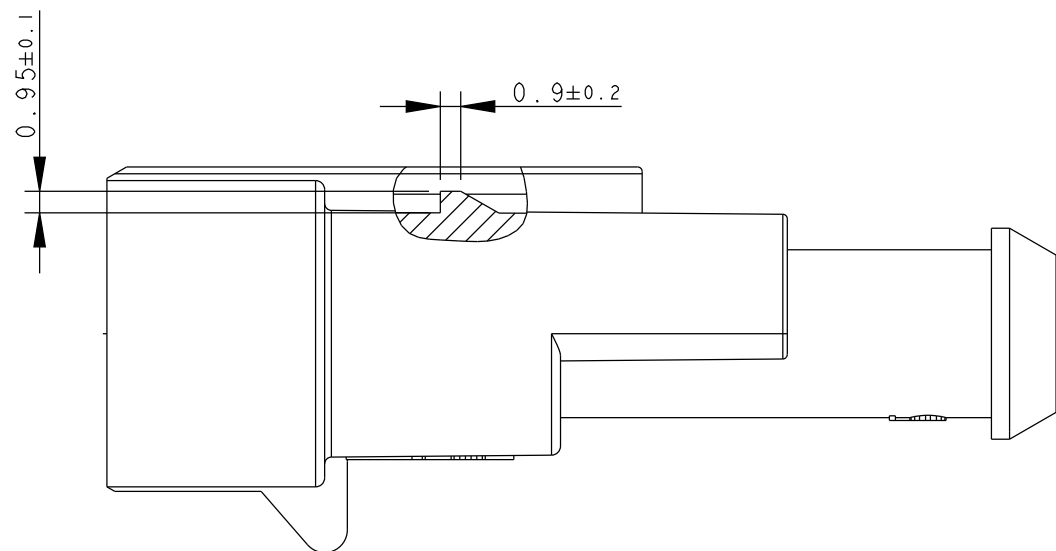
SCALE 14:5 SHEET 1 OF 2 REV B3

1470-19 (3/13)

REVISIONS

P	LTR	DESCRIPTION	DATE	DWN	APVD
-	-	SEE SHEET 1	-	-	-

REFER SHEET 1 FOR MISSING DIMENSIONS



4-282107-1 AS SHOWN

THIS DRAWING IS A CONTROLLED DOCUMENT.

DWN C. BERTINI 02-1990

CHK A. BRUNI 02-1990

APVD -

PRODUCT SPEC 108-20090

APPLICATION SPEC 412-20000

WEIGHT 7.72g

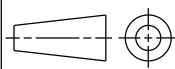
CUSTOMER DRAWING

NAME AMP SUPERSEAL 1.5 SRS. 5 POSITIONS TAB ASS'Y

SIZE A3 CAGE CODE 300779 DRAWING NO C-282107 RESTRICTED TO

SCALE 14:5 SHEET 2 OF 2 REV B3

DIMENSIONS: mm



TOLERANCES UNLESS OTHERWISE SPECIFIED:

0 PLC	±
1 PLC	± 0.3
2 PLC	±
3 PLC	±
4 PLC	±
ANGLES	± 2°

MATERIAL - SEE TABLE

FINISH - SEE TABLE