

THIS DRAWING IS UNPUBLISHED.

RELEASED FOR PUBLICATION

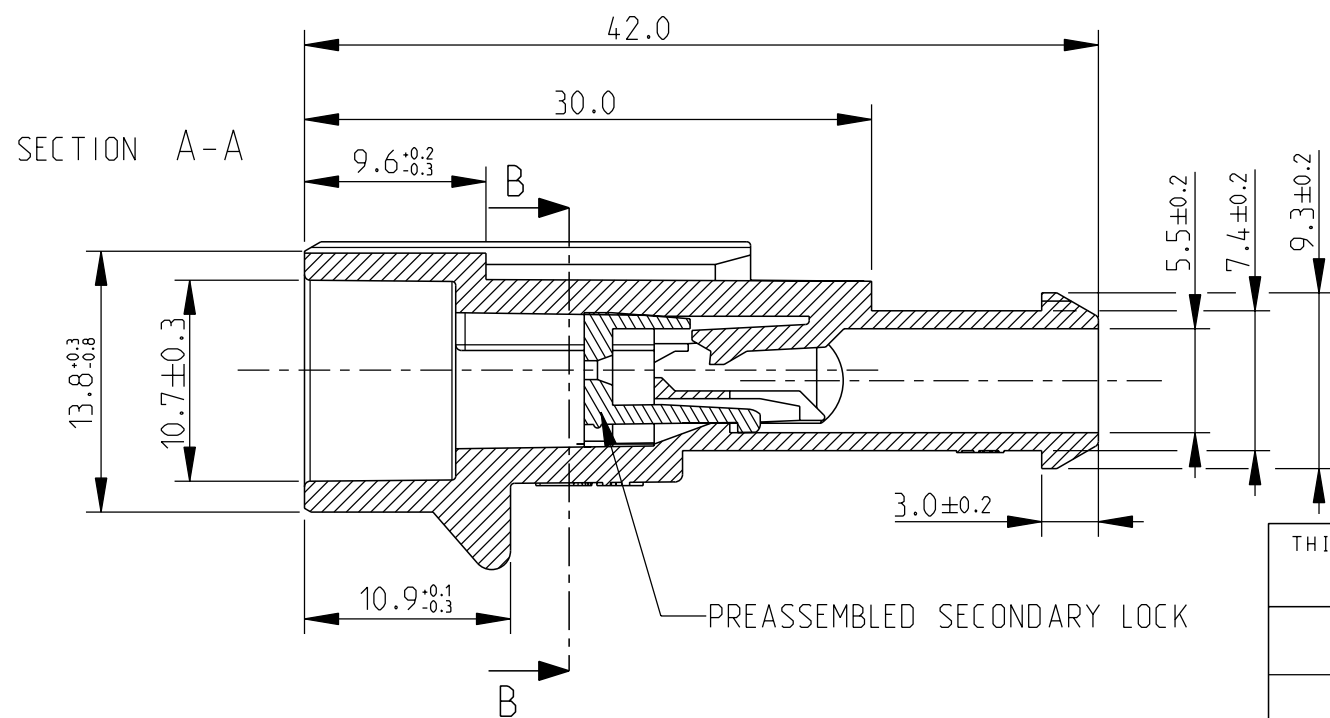
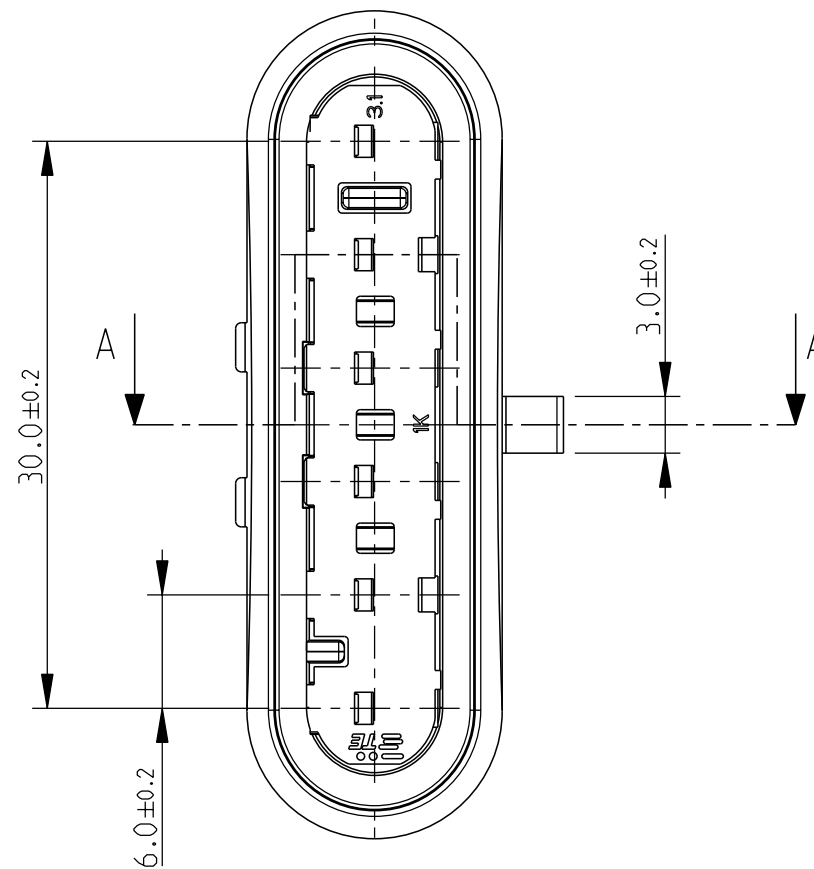
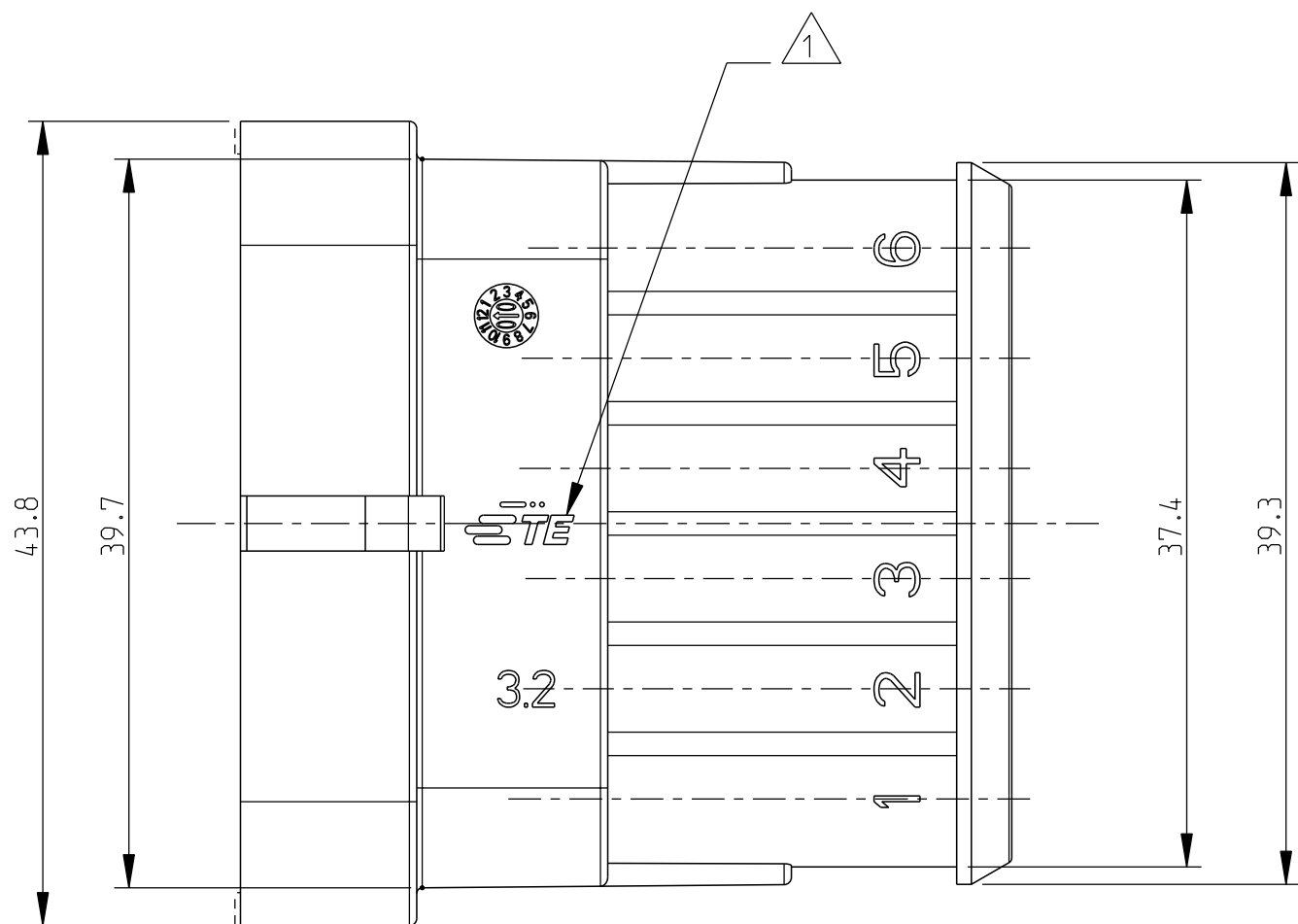
20

© COPYRIGHT 20 BY -

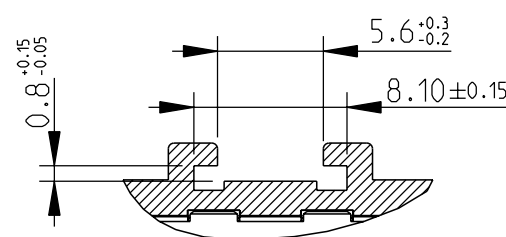
ALL RIGHTS RESERVED.

REVISIONS

P	LTR	DESCRIPTION	DATE	DWN	APVD
	C3	REVISED PER ECO-17-009774	06SEP2017	M.G.	M.G.




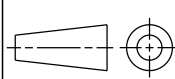
PART. SECTION B-B



HSG: WHITE SEC. LOCK: WHITE	PA66-GF UL94-V2 ACC. TO IEC 60335-1	A	1745084-1
HSG: GRAY SEC. LOCK: RED	PA66-GF	C	282108-2
HSG: BLACK SEC. LOCK: RED	PA66-GF	C	282108-1
FINISH/COLOR	MATERIAL	REV	PART NUMBER


 TE CONNECTIVITY TRADE MARK,
 (IN ALTERNATIVE: "AMP" LOGO, OR "
 
 Tyco Electronics " LOGO)

THIS DRAWING IS A CONTROLLED DOCUMENT.

DWN C. BERTINI 02-1990	 TE Connectivity NAME AMP SUPERSEAL 1.5 SRS. 6 POSITIONS TAB ASS'Y		
CHK A. BRUNI 02-1990			
APVD -			
PRODUCT SPEC 108-20090			
MATERIAL - SEE TABLE	APPLICATION SPEC 412-20000 WEIGHT 8.9g CUSTOMER DRAWING		
DIMENSIONS: mm 	TOLERANCES UNLESS OTHERWISE SPECIFIED: 0 PLC ± 1 PLC ± 0.3 2 PLC ± 3 PLC ± 4 PLC ± ANGLES ± 2° FINISH - SEE TABLE		
SCALE 5:2	SHEET 1 OF 1	RESTRICTED TO -	REV C3