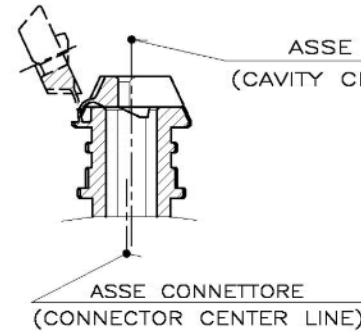
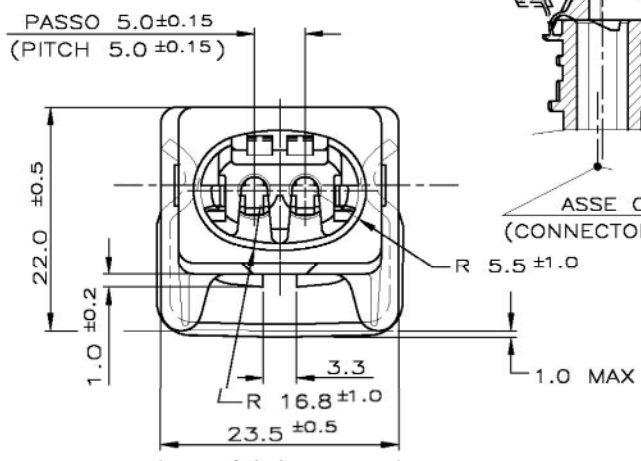
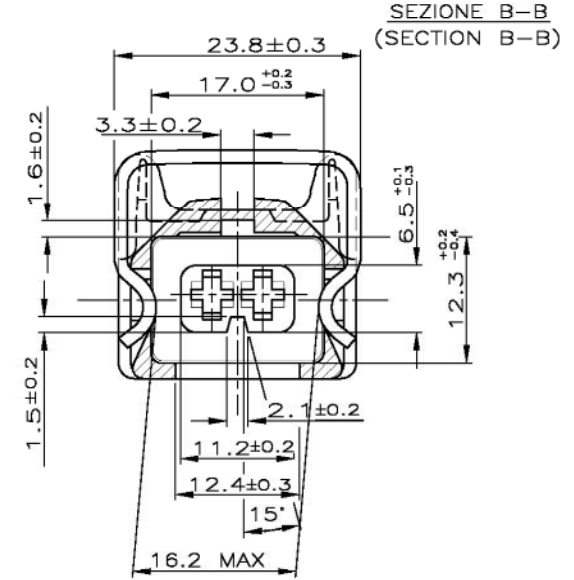
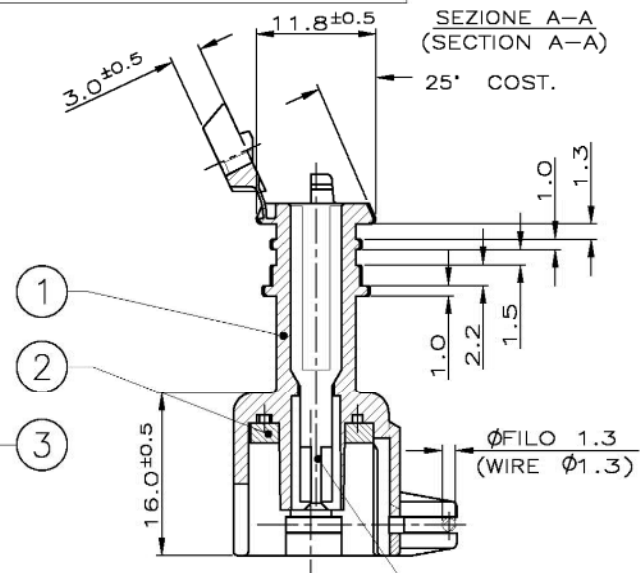
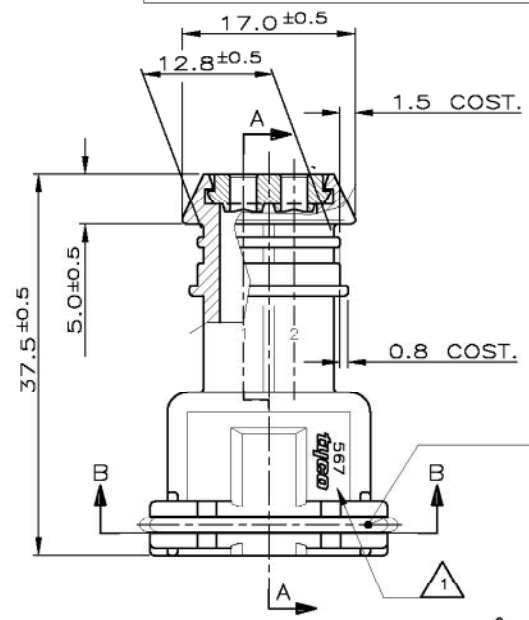


CONNETTORE TIPO A (CON MOLLA DI RITEGNO ESTERNA)
CONNECTOR TYPE A (WITH EXTERNAL SPRING)



TIP. CAVITA' PER TERMINALI AMP JPT P/N 929939-...
OPPURE 929937-... E RELATIVI GOMMINI
AMP P/N 828904-1, 828905-1, 282536-1.
TAPPO CAVITA' P/N 828906-2
(TYP. CAV. FOR JPT CONT. P/N 929939-... A/O 929937-... AND REL.
SINGLE WIRE SEAL P/N 828904-1, 828905-1, 282536-1
CAVITY PLUG P/N 828906-2)

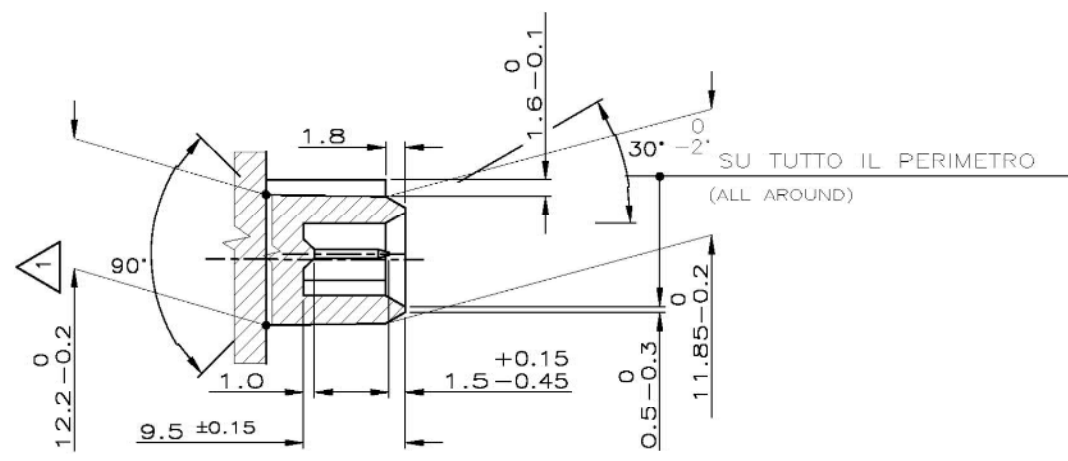
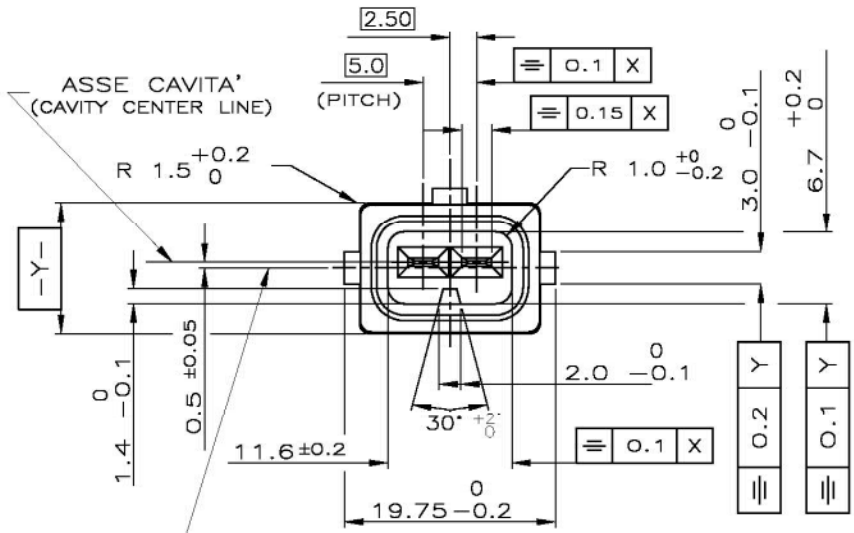
NERO (BLACK)	2-282189-1
ROSSO (RED)	282189-8
GIALLO (YELLOW)	282189-7
MARRONE (BROWN)	282189-6
BLU (BLUE)	282189-5
VERDE (GREEN)	282189-4
BIANCO (WHITE)	282189-3
GRIGIO (GREY)	282189-2
NERO (BLACK)	282189-1
COLORE COLOR	NUMERO PART. N°

METRIC		DIAM. ISOLANTE (INS. DIA. RANGE) 1.5-3.0 (REDUCED INS. CABLE)	RANGO FILO (WIRE RANGE) 0.5-2.5 mm ²
CUSTOMER DWG. FOR REFERENCE ONLY		DISEGNO PER CLIENTE SOLO PER RIFERIMENTO	
3	//////	ACCIAIO INOX (STAINLESS STEEL)	MOLLA (SPRING)
2	NATURALE (CLEAR)	GOMMA SILICONICA (SILICONE RUBBER)	GUARNIZIONE (RUBBER GASKET)
1	//////	PA 6.6	BLOCCETTO (HOUSING)
N (ITEM)	FINITURA / COLORE (FINISH / COLOUR)	MATERIALE (MATERIAL)	DESCRIZIONE (DESCRIPTION)

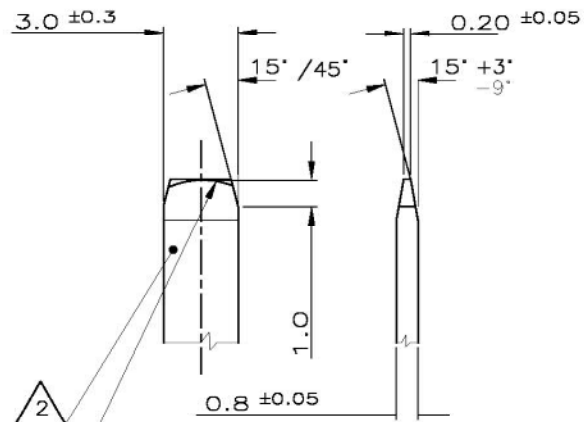
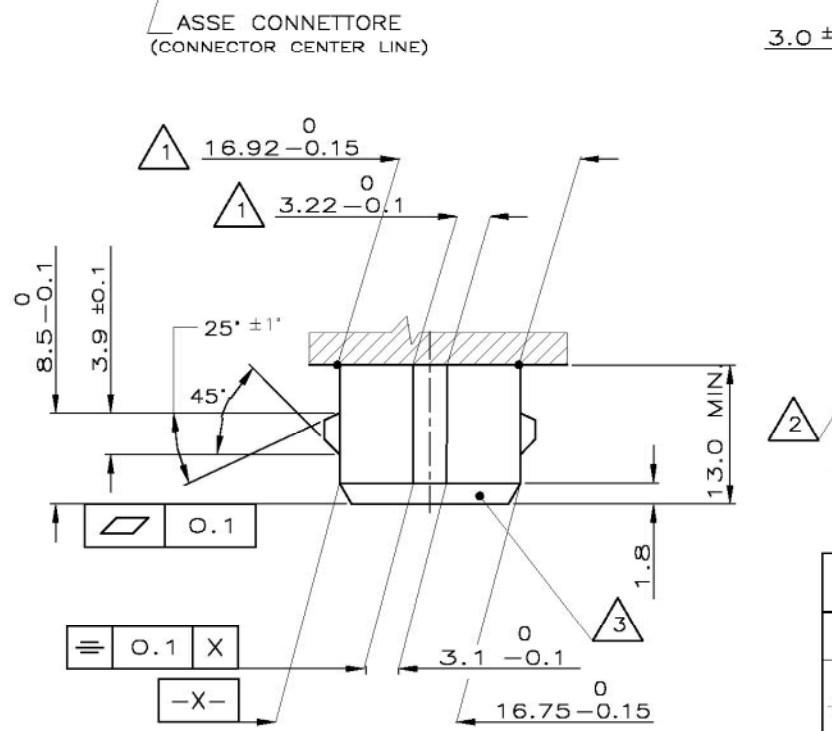
THIS DRAWING IS A CONTROLLED DOCUMENT.		DWN Ennio CINI NOV. 9'90	TE Connectivity	
DIMENSIONS: mm		CHK C.TARTARI 13 OCT 92	2 W.SPLASH PROOF CONN.ASS'Y with SECONDARY LOCK	
TOLERANCES UNLESS OTHERWISE SPECIFIED:		APVD	NAME	
0 PLC ± -		PRODUCT SPEC	SIZE CAGE CODE DRAWING NO RESTRICTED TO	
1 PLC ± 0.3		APPLICATION SPEC	A3 00779 C-282189	
2 PLC ± -		WEIGHT	SCALE SHEET 1 OF 2 REV M1	
3 PLC ± -		CUSTOMER DRAWING		
4 PLC ± -				
ANGLES ± 2'				
MATERIAL FINISH				

- 1 LOGO TYCO O, IN ALTERNATIVA, LOGO AMP (TYCO LOGO OR, IN ALTERNATIVE, AMP LOGO) (AMP)
- 2 DIFFERISCE DAL ...-1 ESCLUSIVAMENTE PER IL PACKAGING (DIFFERS FROM ...-1 ONLY FOR PACKAGING DETAILS)
- 3) PER DIMENSIONI CONTROPARTE VEDERE FOGLIO 2 (FOR COUNTERPART DIMENSIONS SEE SHEET 2)
- 4) SPECIFICA DI IMBALLO TE Nr. 107-20047 (TE PACKAGING SPECIFICATION No.107-20047)

LOC		DIST		REVISIONS			
I	-	P	LTR	DESCRIPTION	DATE	DWN	APVD
				- SEE SHEET 1	-	-	-



DETT. LINGUETTA TAB-SCALA 5:1-
(TAB DETAIL)



FORMA ALTERNATIVA PERMESSA CON RAGGIO
(ALLOWED ALTERNATIVE PROFILE WITH RADIUS)

- 1 QUOTE APPLICABILI PER SFORMATURA PEZZO
(DRAFT PERMITTED TO FACILITATE REMOVAL OF PART FROM THE MOULD)
- 2 MATERIALE LINGUETTE: LEGA DI RAME STAGNATA, ES. OTTONE STAGNATO.
(TAB CONTACT MATERIAL: TIN PLATED COPPER ALLOY. E.G. BRASS TIN PLATED)
- 3 MATERIALE BLOCCHETTO: TERMOPLASTICO CARICATO FIBRA VETRO.
(HOUSING MATERIAL: THERMOPLASTIC, GLASS FIBER FILLED)

METRIC	DIAM. ISOLANTE (INS. DIA. RANGE)	RANGO FILO (WIRE RANGE)
	---	---

CUSTOMER DWG. FOR REFERENCE ONLY DISEGNO PER CLIENTE SOLO PER RIFERIMENTO

THIS DRAWING IS A CONTROLLED DOCUMENT.		DWN	-	NAME		2 POS.SPLASH PROOF CONN.ASS'Y with SECONDARY LOCK	
DIMENSIONS: mm	TOLERANCES UNLESS OTHERWISE SPECIFIED: 0 PLC ± - 1 PLC ± 0.3 2 PLC ± - 3 PLC ± - 4 PLC ± - ANGLES ± 2'	CHK	-	SIZE		CAGE CODE	DRAWING NO
		APVD	-	A3	00779	C-282189	RESTRICTED TO
MATERIAL	FINISH	PRODUCT SPEC	-	WEIGHT	-	SCALE	SHEET
		APPLICATION SPEC	-	CUSTOMER DRAWING	-	2 OF 2	REV M1

FINITURA / COLORE (FINISH / COLOUR)	MATERIALE (MATERIAL)	NUMERO (PART NUMBER)