

REVISIONS				
#	LTN	DESCRIPTION	DATE	OWN APVD
A		INITIAL RELEASE PER E-21-003453	16DEC2021	AP 1G
A1		REVISED PER PCN-22-154423	30SEP2022	AM 1G
B		REVISED PER PCN-23-192205	05FEB2024	RK CB

FIGURE 1

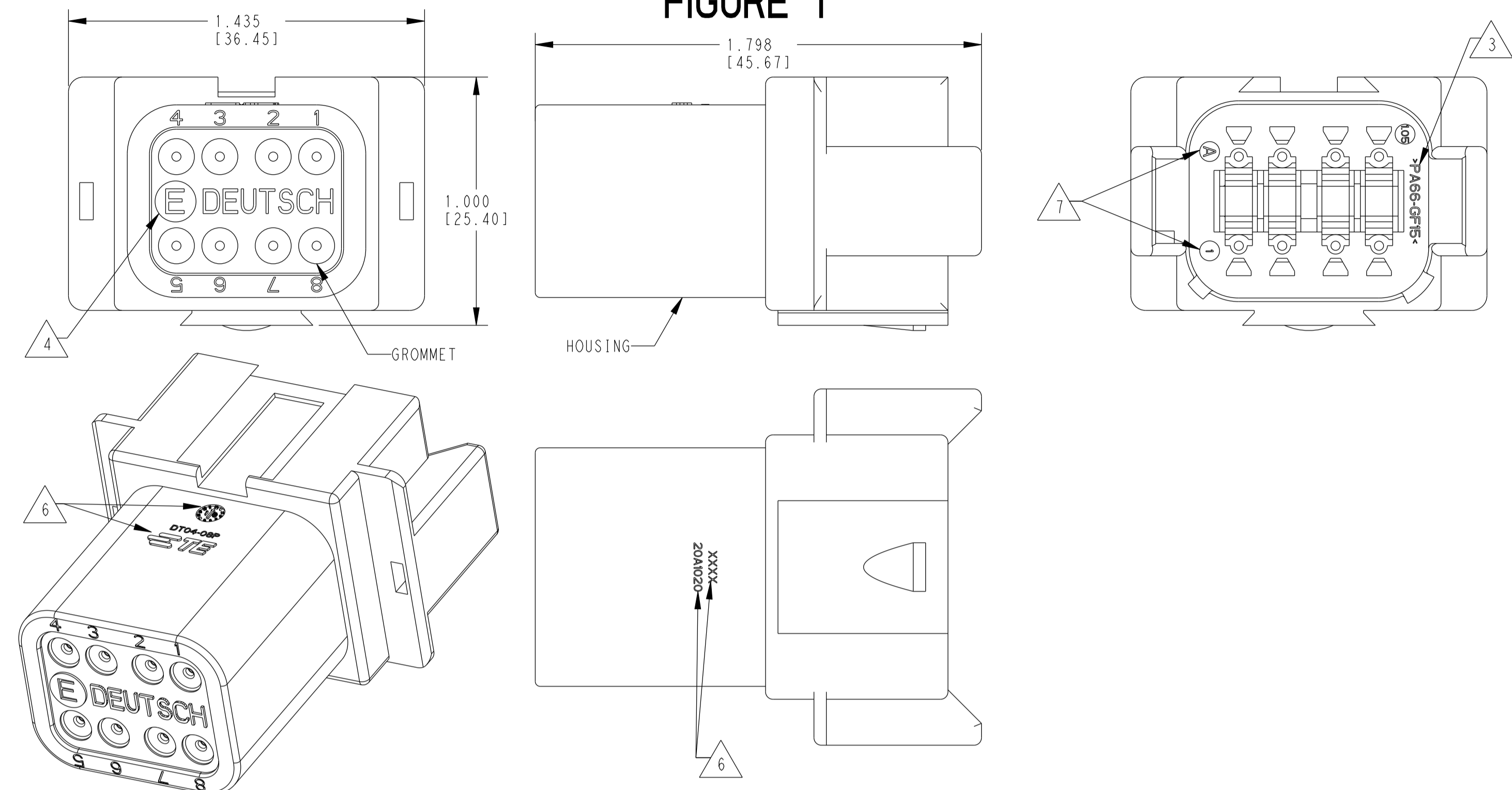


FIGURE 2 SHORT CAP

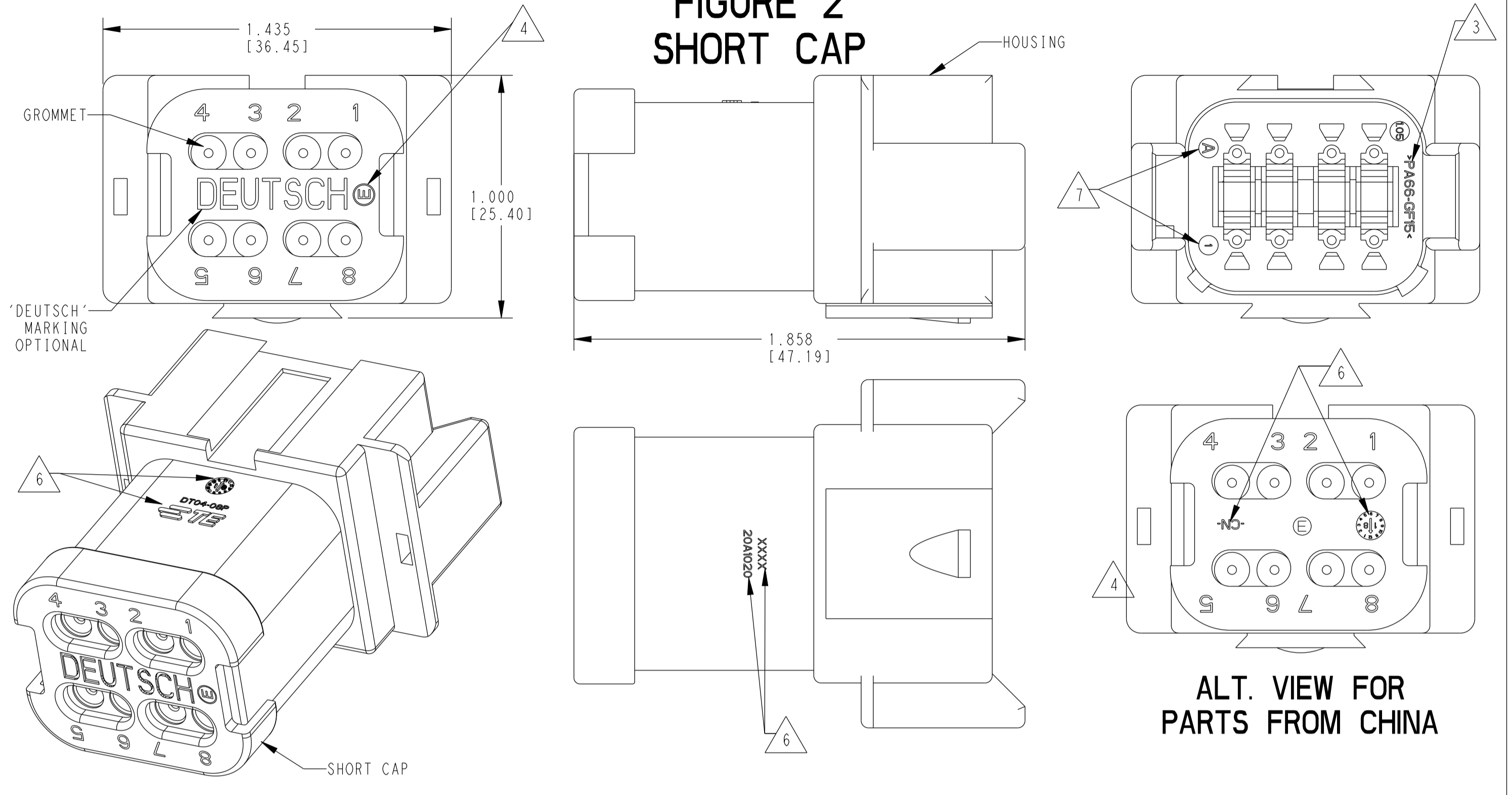
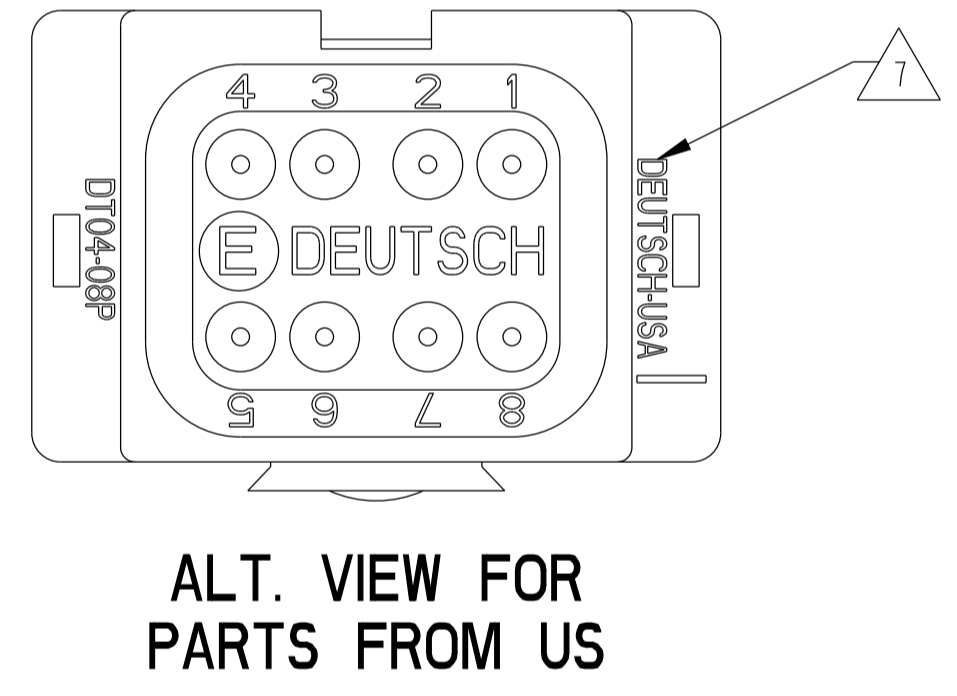
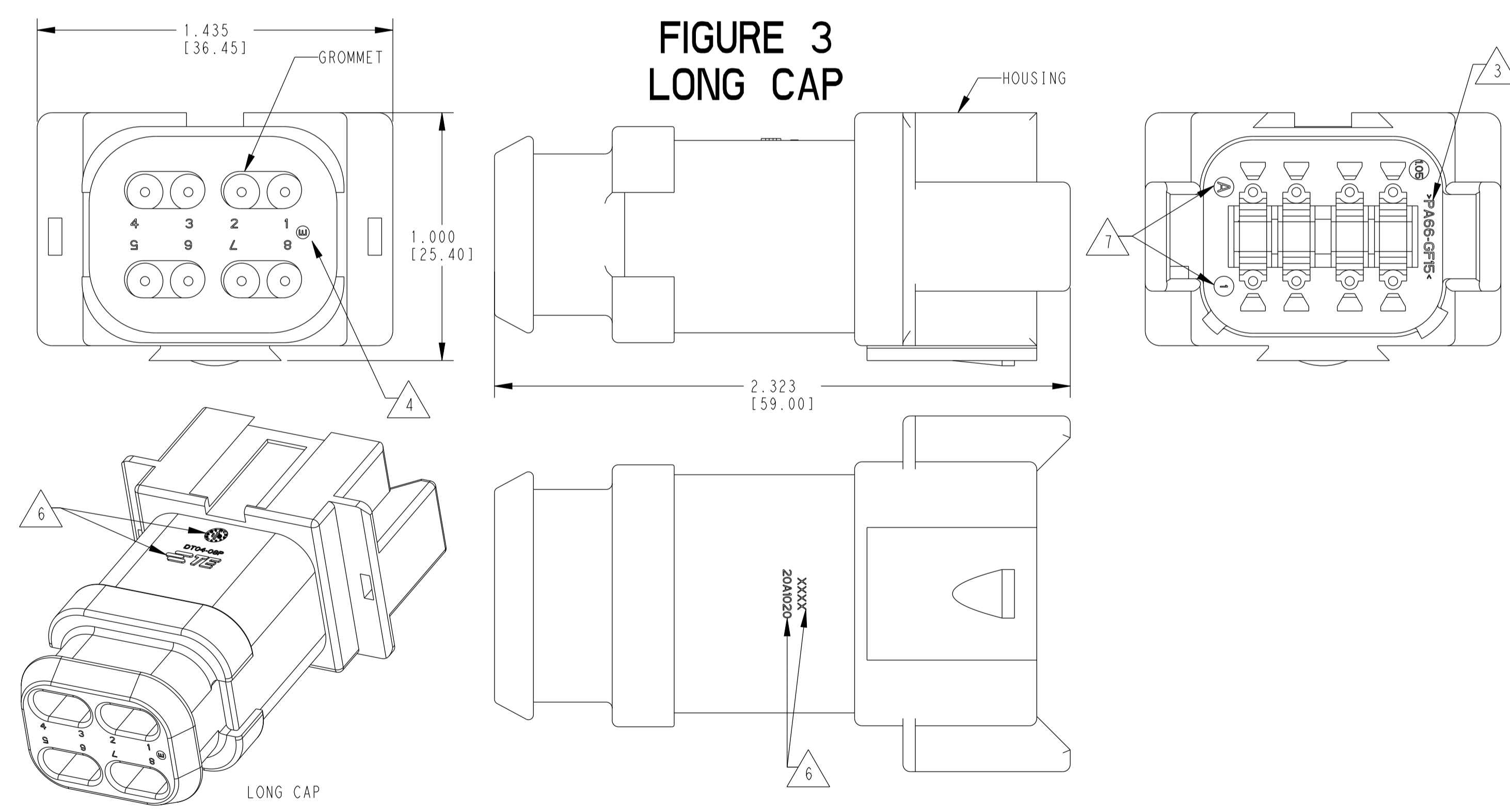


FIGURE 3 LONG CAP



ALT. VIEW FOR PARTS FROM CHINA

ALT. VIEW FOR PARTS FROM US

CONTACT SIZE	WIRE RANGE	INSULATION OD SEALING RANGE	SEAL IDENTIFICATION
16	14-20 AWG [2.5-0.5mm ²]	.088-.145 [2.23-3.68] .053-.120 [1.35-3.05]	STANDARD SEAL EXTRA THIN SEAL E-SEAL

TE INTERNAL PART NUMBER	DEUTSCH PART NUMBER	PN REV	HOUSING COLOR	STANDARD SEAL	EXTRA THIN SEAL E-SEAL	BLOCKED SEAL	SHORT CAP	LONG CAP	FIGURE
DT04-08PX	DT04-08PX	A	ALL	X					1
DT04-08PX-C015	DT04-08PX-C015	F	ALL		X				1
DT04-08PX-C017	DT04-08PX-C017	B	ALL			X	X		2
DT04-08PX-CE01	DT04-08PX-CE01	D	ALL		X		X		2
DT04-08PA-CE02	DT04-08PA-CE02	B	BLACK		X				1
DT04-08PA-CE03	DT04-08PA-CE03	B	BLACK		X		X		2
DT04-08PA-CE04	DT04-08PA-CE04	C	GRAY		X			X	3
DT04-08PA-CE09	DT04-08PA-CE09	AC	BLACK		X			X	3
DT04-08PA-CE26	DT04-08PA-CE26	A	BLACK			X	X		2
DT04-08PX-E003	DT04-08PX-E003	B	ALL	X			X		2
DT04-08PA-E004	DT04-08PA-E004	A	BLACK	X					1
DT04-08PA-E005	DT04-08PA-E005	A	BLACK	X			X		2
DT04-08PX-E008	DT04-08PX-E008	B	ALL	X				X	3
DT04-08PA-EE01	DT04-08PA-EE01	A	BLACK	X				X	3
DT04-08PX-EP04	DT04-08PX-EP04	D	ALL	X			X		2
DT04-08PX-P004	DT04-08PX-P004	C	ALL	X					1

6. MARKING FOR PARTS PRODUCED IN CHINA:
- XXXX IDENTIFIES THE MODIFICATION NUMBER, IF APPLICABLE. EXAMPLE: "E003" FOR DT04-08PA-E003, OR BLANK FOR DT04-08PA
 - DATE CODE: IDENTIFIES THE YEAR, MONTH, DAY AND HOUR OF ASSEMBLY.
YEAR: FIRST AND SECOND DIGIT. (17 = 2017)
MONTH: THIRD DIGIT, EXCLUDING I. A = JAN, B = FEB, C = MARCH ... (K = OCTOBER)
DAY: FOURTH AND FIFTH DIGITS (14 = 14th DAY)
HOUR: SIXTH AND SEVENTH DIGITS (11 = 11AM)
 - DIAL DATE CODE LOCATED ON HOUSING AND/OR CAP.
-CN LOCATED ON HOUSING AND/OR CAP.
7. MARKING FOR PARTS PRODUCED IN US:
- DATE CODE: YEAR TO BE LAST NUMERICAL DIGIT, EX: 1 = 2021
MONTH USES SEQUENTIAL ALPHA CHARACTERS, EX: A = JANUARY
-DEUTSCH

4. "E" IDENTIFIES E-SEAL, LOCATED APPROX. AS SHOWN.
3. MATERIAL: HOUSING: PA66 GF15. SEE TABLE FOR COLOR
SHORT, LONG CAP: PA66 GF15, BLACK
GROMMET: E-SEAL VMO (BURNT ORANGE)
N-SEAL VMO (RED-ORANGE)
BLOCKED VMO (RED-ORANGE)
2. THIS RECEPTACLE MATES WITH DT06-08SX-XXXX PLUG (X = A,B,C,D KEY, XXXX = ALL MODIFICATIONS)
1. SECONDARY WEDGE LOCK SOLD SEPARATELY: W8P-XXXX. (XXXX = ALL MODIFICATIONS)

NOTES: UNLESS OTHERWISE SPECIFIED

THIS DRAWING IS A CONTROLLED DOCUMENT.

OWN: A. POLO 16DEC2021
CHK: R. MESSENGER
APVD: I. GRANICHAROVA 16DEC2021
PRODUCT SPEC: 108-151009
APPLICATION SPEC: 114-151009

TE Connectivity

NAME: 8 WAY RECEPTACLE, STANDARD SEAL EXTRA THIN SEAL, SHORT AND LONG CAP, DT SERIES

SIZE: 4FU8
CAGE CODE: DT04-08PX-XXXX
DRAWING NO: XXXX

RESTRICTED TO: B

CUSTOMER DRAWING SCALE: 5:2 SHEET: 1 OF 2 REV: B

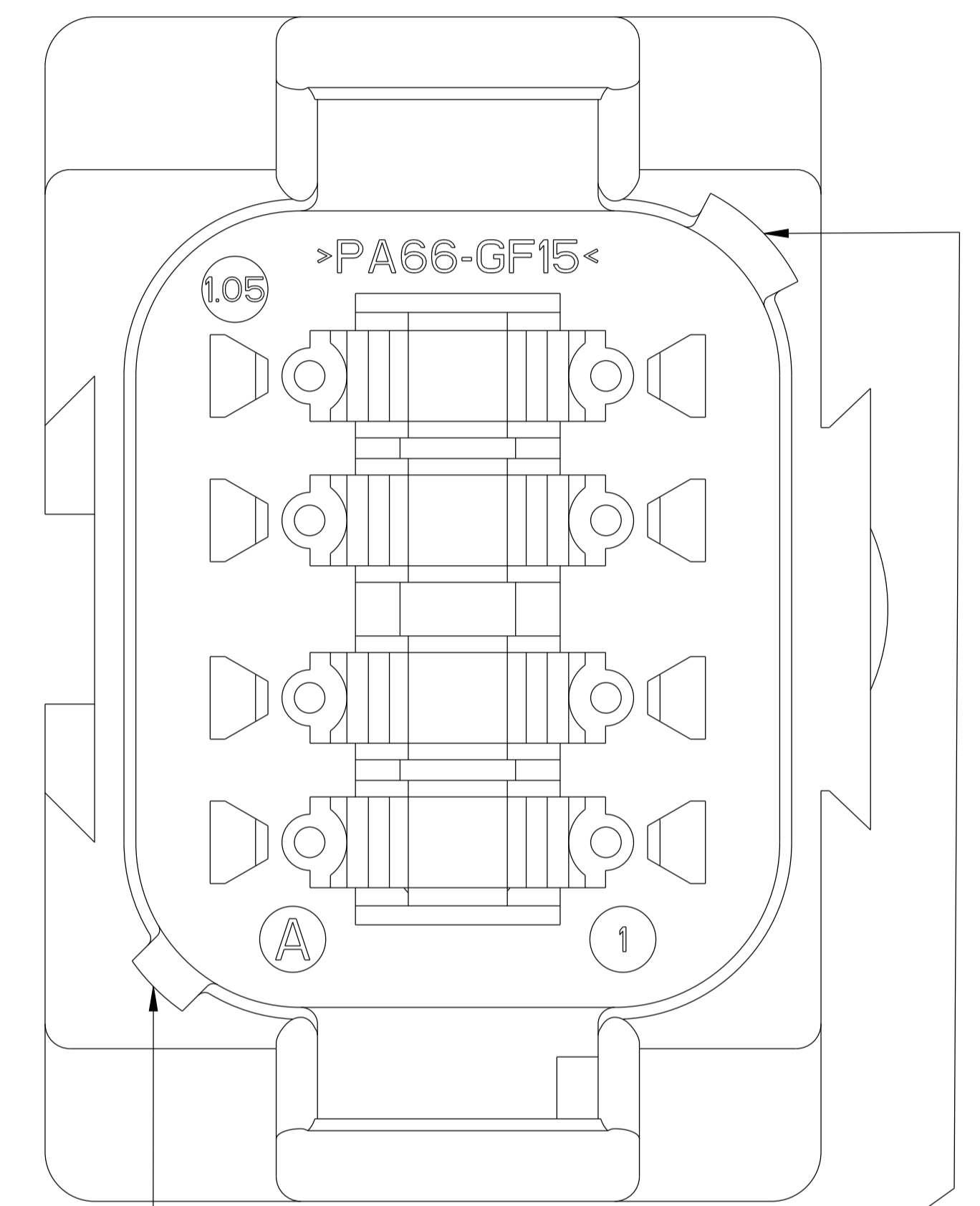
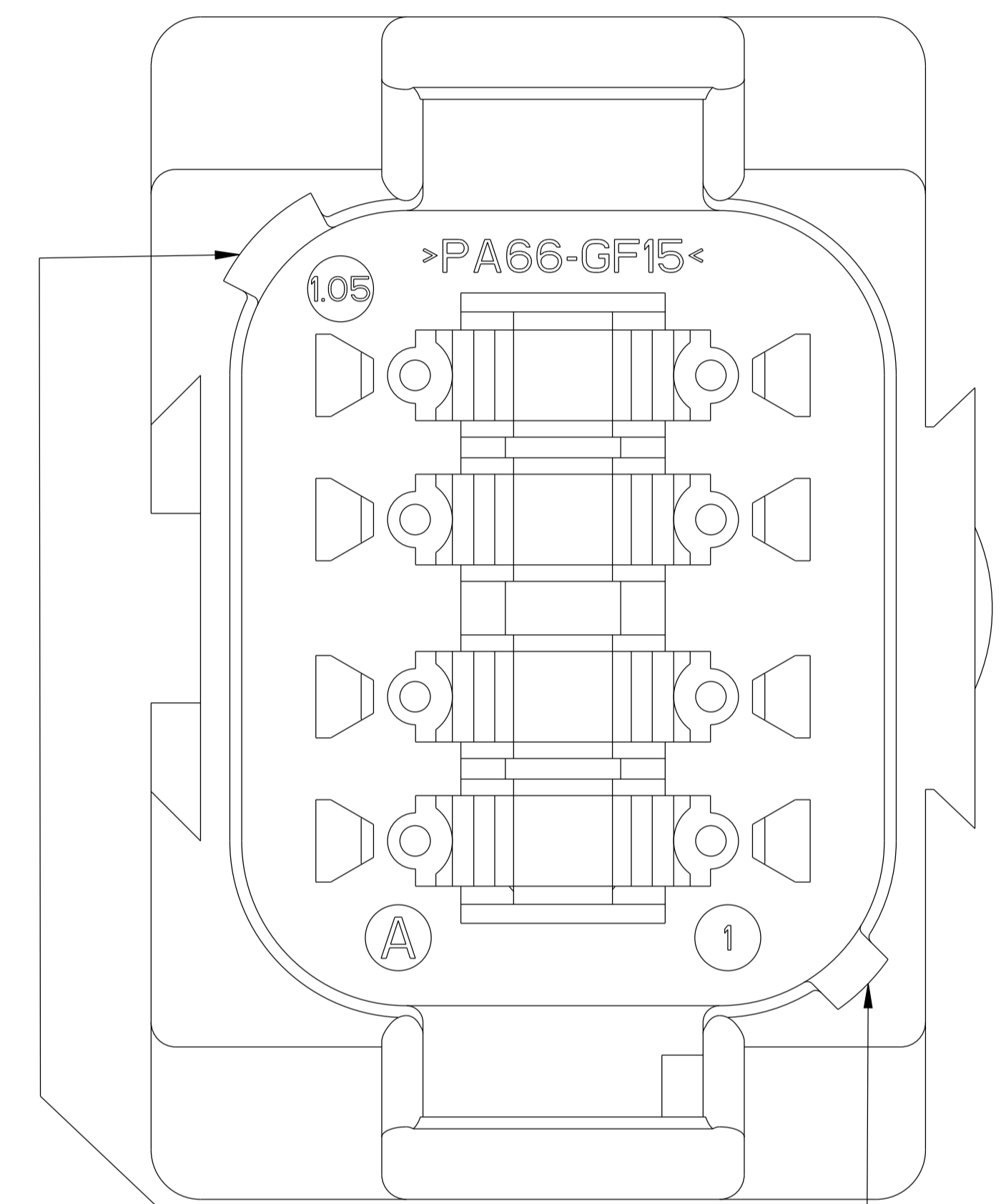
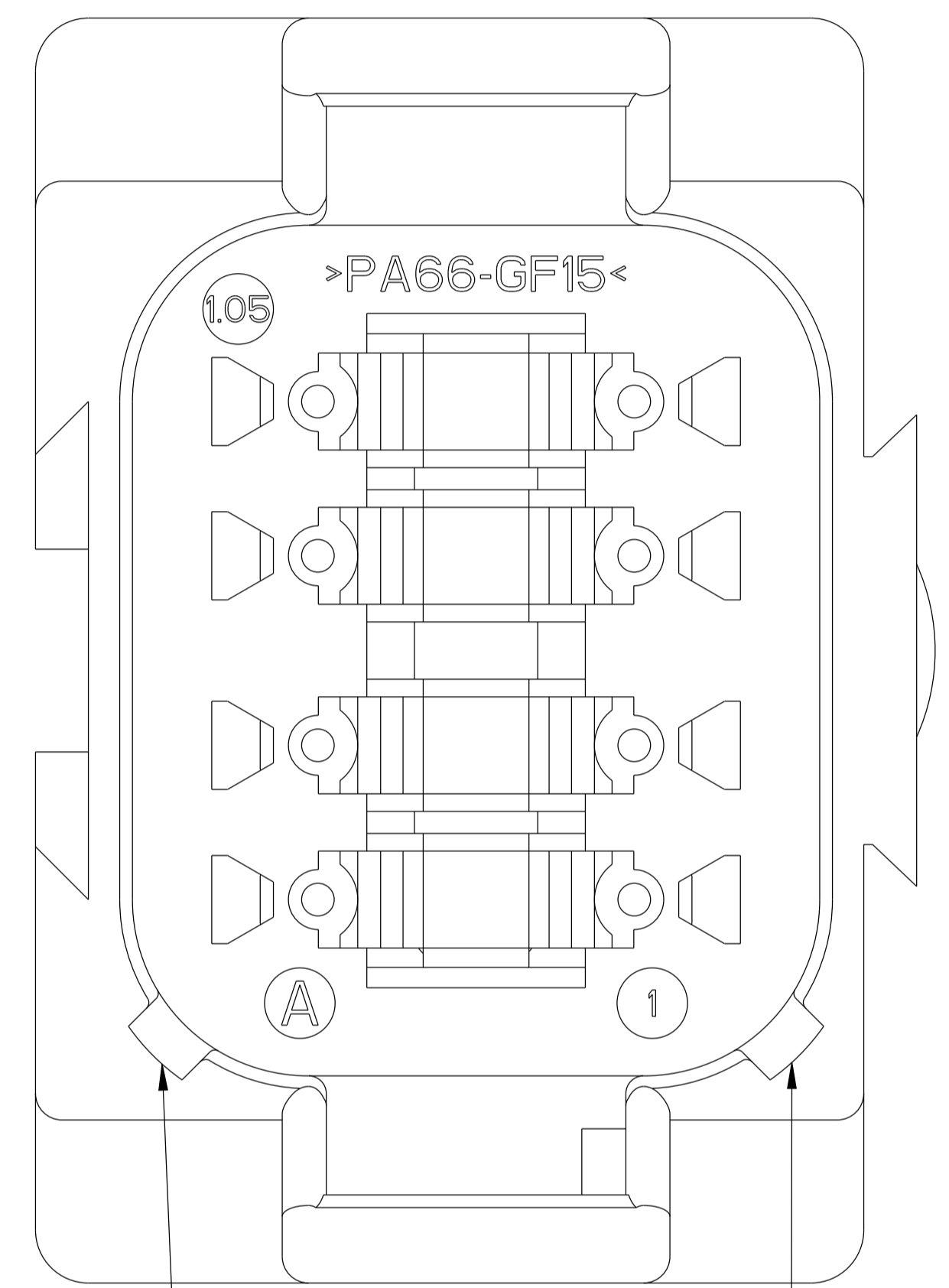
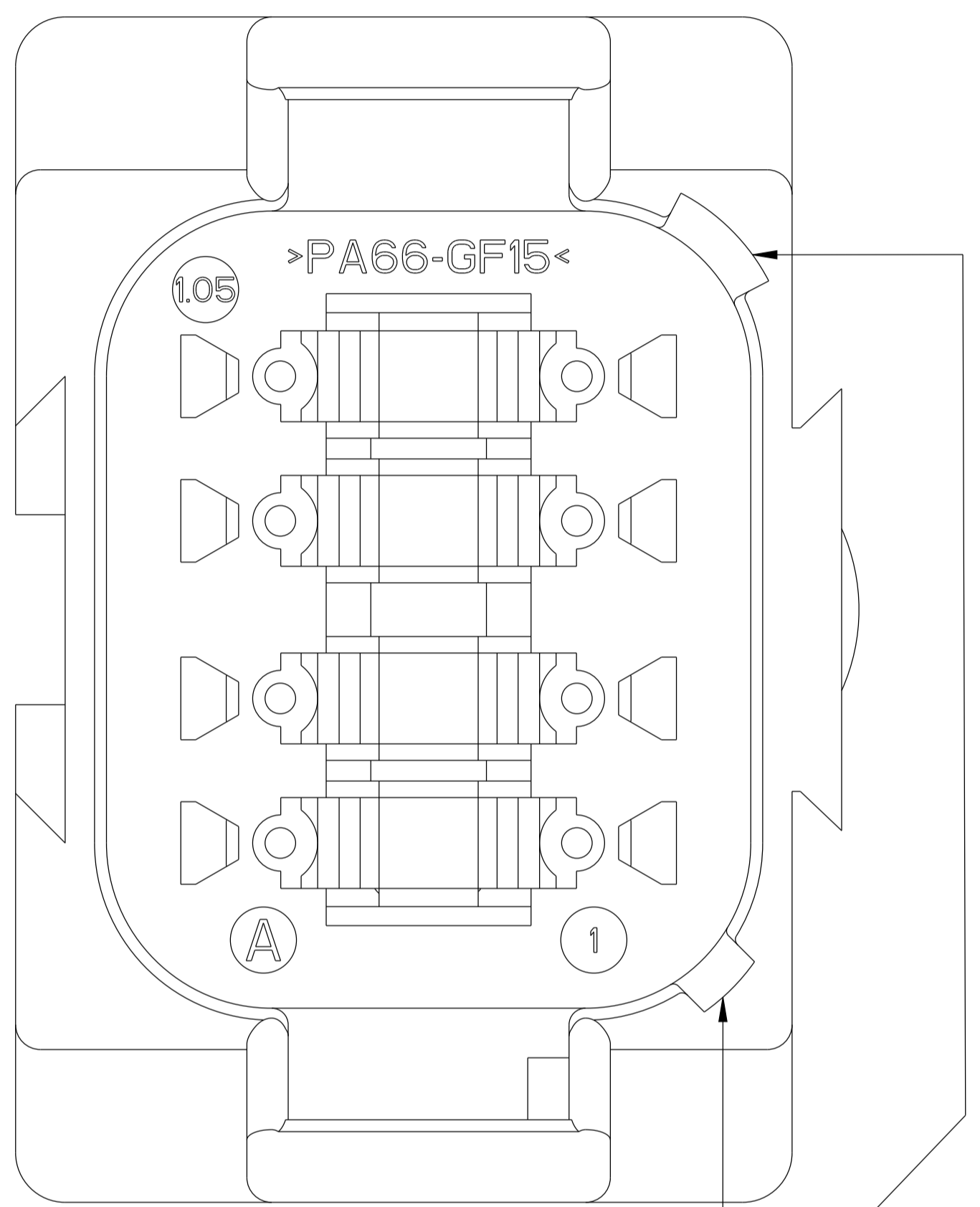
REVISIONS				
#	LTN	DESCRIPTION	DATE	APPD
-		SEE SHEET 1	-	-

DT04-08PA-XXXX
 KEY -A-
 HOUSING COLOR: GRAY
 SEE PN TABLE FOR BLACK PNs

DT04-08PB-XXXX
 KEY -B-
 HOUSING COLOR: BLACK

DT04-08PC-XXXX
 KEY -C-
 HOUSING COLOR: GREEN

DT04-08PD-XXXX
 KEY -D-
 HOUSING COLOR: BROWN



KEY -A-

KEY -B-

KEY -C-

KEY -D-

THIS DRAWING IS A CONTROLLED DOCUMENT.		DWN: A. POLO 16DEC2021 CHK: R. MESSENGER 16DEC2021 APVD: J. GRANICHAROVA 16DEC2021	
DIMENSIONS: IN [mm]	TOLERANCES UNLESS OTHERWISE SPECIFIED: 0 PLC ± 1 PLC ± 2 PLC ± 3 PLC ±0.25 (0.64) 4 PLC ± ANGLES ±0°30'0" FINISH	NAME: 8 WAY RECEPTACLE, STANDARD SEAL EXTRA THING SEAL, SHORT AND LONG CAP, DT SERIES SIZE: A 4AFU8 CAGE CODE: C=DT04-08PX-XXXX DRAWING NO: 114-151009 WEIGHT:	
MATERIAL: 3		CUSTOMER DRAWING	RESTRICTED TO: - SCALE: 6:1 SHEET: 2 OF 2 REV: B

Mouser Electronics

Authorized Distributor

Click to View Pricing, Inventory, Delivery & Lifecycle Information:

[TE Connectivity:](#)

[DT04-08PA](#)