

4 "E" IDENTIFIES E-SEAL, LOCATED APPROX. AS SHOWN.

3 MATERIAL: HOUSING: PA66 GF15, SEE TABLE FOR COLOR SHORT, LONG CAP: PA66 GF15, BLACK GROMMET: E-SEAL VMO (BURNT RED) N-SEAL VMO (RED-ORANGE) BLOCKED VMO (RED-ORANGE)

2. THIS RECEPTACLE MATES WITH DT06-4S-XXXX PLUG (XXXX = ALL MODIFICATIONS)

1. SECONDARY WEDGE LOCK SOLD SEPARATELY: W4PX-XXXX. (X = A,B,C,D KEY, XXXX = ALL MODIFICATIONS)

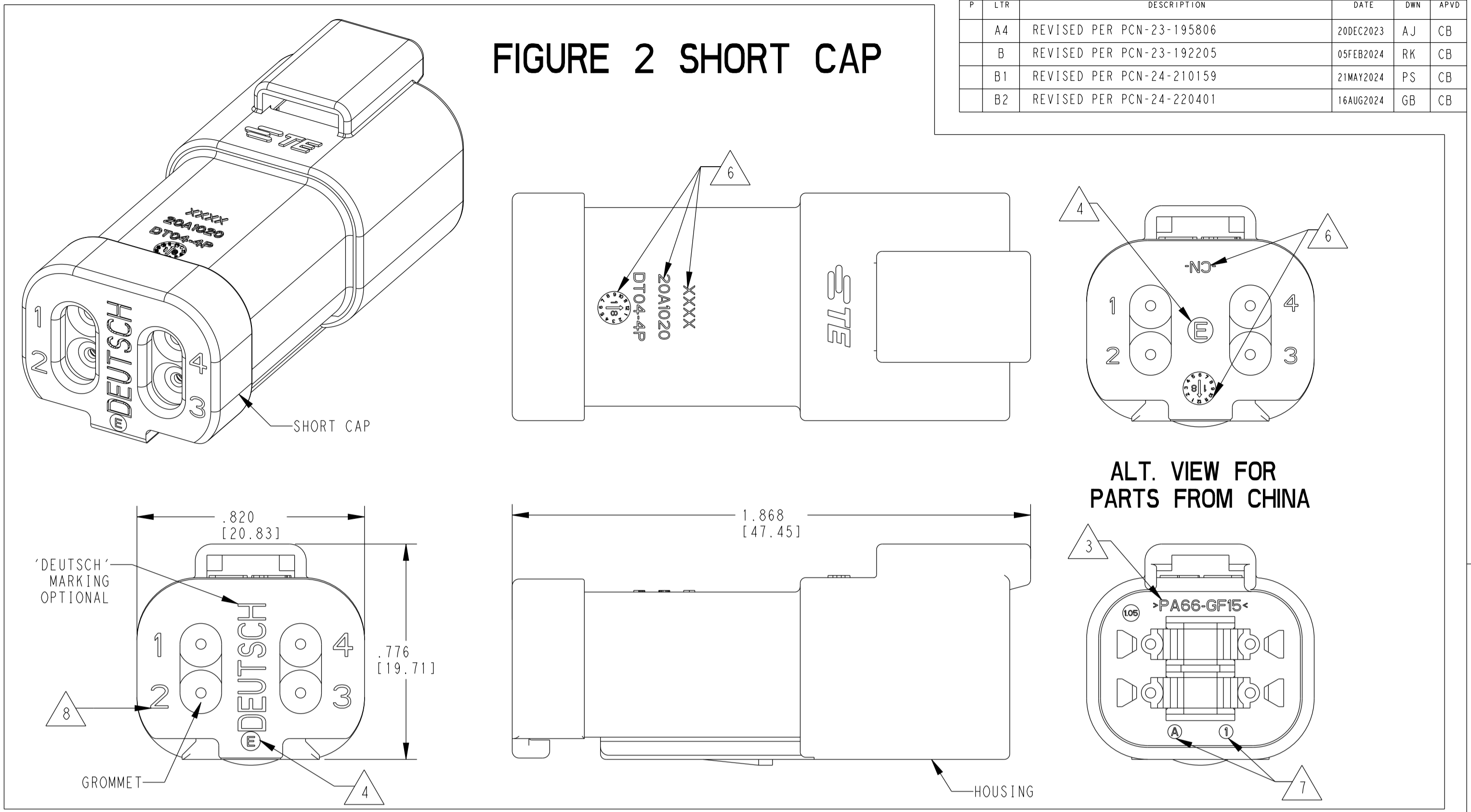
NOTES: UNLESS OTHERWISE SPECIFIED

6 MARKING FOR PARTS PRODUCED IN CHINA:
 -XXXX IDENTIFIES THE MODIFICATION NUMBER, IF APPLICABLE. EXAMPLE: "E003" FOR DT04-4P-E003, OR BLANK FOR DT04-4P
 -DATE CODE: IDENTIFIES THE YEAR, MONTH, DAY AND HOUR OF ASSEMBLY.
 YEAR: FIRST AND SECOND DIGIT. (17 = 2017)
 MONTH: THIRD DIGIT, EXCLUDING 1. A = JAN, B = FEB, C = MARCH ... (K = OCTOBER)
 DAY: FOURTH AND FIFTH DIGITS (14 = 14th DAY)
 HOUR: SIXTH AND SEVENTH DIGITS (11 = 11AM)
 -DIAL DATE CODE LOCATED ON HOUSING AND/OR CAP.
 -CN LOCATED ON HOUSING AND/OR CAP.

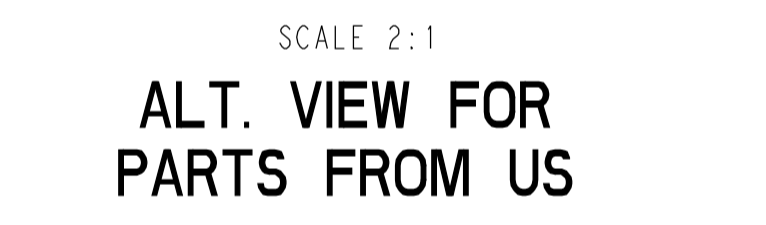
5. FOR CONTACT AND WIRE PERFORMANCE AND APPLICATION CHARACTERISTICS SEE CUSTOMER DRAWING 0425-015-0000.

8 BLOCKED SEAL CONNECTORS (EXAMPLE: C017) WILL NOT HAVE THE TERMINAL CAVITY IDENTIFICATION MARKINGS ON THEIR CAPS.

7 MARKING FOR PARTS PRODUCED IN US:
 -DATE CODE:
 YEAR TO BE LAST NUMERICAL DIGIT, EX: 1 = 2021
 MONTH USES SEQUENTIAL ALPHA CHARACTERS, EX: A = JANUARY
 -DEUTSCH



| CONTACT SIZE | WIRE RANGE | INSULATION OD SEALING RANGE | SEAL IDENTIFICATION |
|--------------|--|--|--|
| 16 | 14-20 AWG [2.5-0.5mm ²] | .088 - .145 [2.23-3.68] .053 - .120 [1.35-3.05] | STANDARD SEAL EXTRA THIN SEAL E-SEAL |



ALT. VIEW FOR PARTS FROM US

| TE INTERNAL PART NUMBER | DEUTSCH PART NUMBER | PN REV | HOUSING COLOR | STANDARD SEAL | EXTRA THIN SEAL E-SEAL | BLOCKED SEAL | SHORT CAP | LONG CAP | FIGURE |
|-------------------------|---------------------|--------|---------------|---------------|------------------------|--------------|-----------|----------|--------|
| DT04-4P | DT04-4P | A | GRAY | X | | | | | 1 |
| DT04-4P-C015 | DT04-C015 | B | GRAY | | X | | | | 1 |
| DT04-4P-C017 | DT04-4P-C017 | C | GRAY | | | X | X | | 2 |
| DT04-4P-CE01 | DT04-4P-CE01 | C | GRAY | | X | | X | | 2 |
| DT04-4P-CE02 | DT04-4P-CE02 | B | BLACK | | X | | | | 1 |
| DT04-4P-CE03 | DT04-4P-CE03 | B | BLACK | | X | | X | | 2 |
| DT04-4P-CE04 | DT04-4P-CE04 | C | GRAY | | X | | | X | 3 |
| DT04-4P-CE09 | DT04-4P-CE09 | B | BLACK | | X | | | X | 3 |
| DT04-4P-CE26 | DT04-4P-CE26 | A | BLACK | | | X | X | | 2 |
| DT04-4P-E003 | DT04-4P-E003 | B | GRAY | X | | | X | | 2 |
| DT04-4P-E004 | DT04-4P-E004 | A | BLACK | X | | | | | 1 |
| DT04-4P-E005 | DT04-4P-E005 | A | BLACK | X | | | X | | 2 |
| DT04-4P-E008 | DT04-4P-E008 | C | GRAY | X | | | | X | 3 |
| DT04-4P-EE01 | DT04-4P-EE01 | A | BLACK | X | | | | X | 3 |
| DT04-4P-EP04 | DT04-4P-EP04 | C | GRAY | X | | | X | | 2 |
| DT04-4P-P004 | DT04-4P-P004 | B | GRAY | X | | | | | 1 |
| 1-2448112-1 | DT04-4P-TE09 | A | BROWN | | X | | | | 1 |
| 1-2448112-2 | DT04-4P-TE03 | A | GREEN | | X | | | | 1 |
| 1-2448112-3 | DT04-4P-TE07 | A | BLUE | | X | | | | 1 |
| 2-2448112-1 | DT04-4P-TN09 | A | BROWN | X | | | | | 1 |
| 2-2448112-2 | DT04-4P-TN03 | A | GREEN | X | | | | | 1 |
| 2-2448112-3 | DT04-4P-TN07 | A | BLUE | X | | | | | 1 |
| 3-2448112-1 | DT04-4P-EE18 | A | BROWN | | X | | X | | 2 |
| 3-2448112-2 | DT04-4P-EE16 | A | GREEN | | X | | X | | 2 |
| 3-2448112-3 | DT04-4P-EE17 | A | BLUE | | X | | X | | 2 |
| 4-2448112-1 | DT04-4P-EE14 | A | BROWN | X | | | X | | 2 |
| 4-2448112-2 | DT04-4P-EE13 | A | GREEN | X | | | X | | 2 |
| 4-2448112-3 | DT04-4P-EE06 | A | BLUE | X | | | X | | 2 |

THIS DRAWING IS A CONTROLLED DOCUMENT.

APPROVED: A. POLO 14DEC2021
 CHK: R. MESSENGER 14DEC2021
 APVD: I. GRANTCHAROVA 14DEC2021

TE Connectivity

NAME: 4 WAY RECEPTACLE, STANDARD SEAL EXTRA THIN SEAL, SHORT AND LONG CAP, DT SERIES

SIZE: 4FAU8 C=DT04-4P-XXXX

RESTRICTED TO: -

CUSTOMER DRAWING SCALE: 3:1 SHEET 1 OF 1 REV: B2

| REVISIONS | | | | | |
|-----------|-----|---------------------------|-----------|-----|------|
| # | LTN | DESCRIPTION | DATE | OWN | APVD |
| A4 | | REVISED PER PCN-23-195806 | 20DEC2023 | AJ | CB |
| B | | REVISED PER PCN-23-192205 | 05FEB2024 | RK | CB |
| B1 | | REVISED PER PCN-24-210159 | 21MAY2024 | PS | CB |
| B2 | | REVISED PER PCN-24-220401 | 16AUG2024 | GB | CB |