

THIS DRAWING IS UNPUBLISHED.

RELEASED FOR PUBLICATION

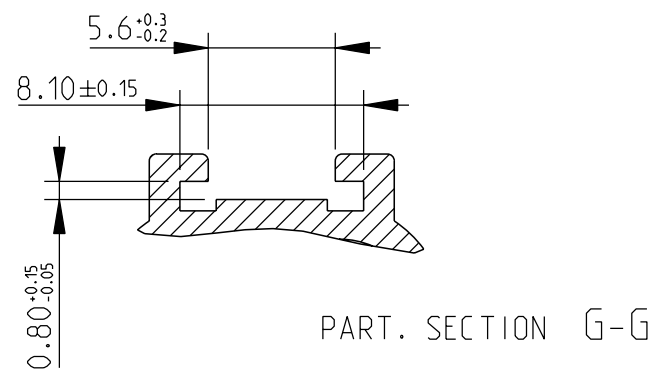
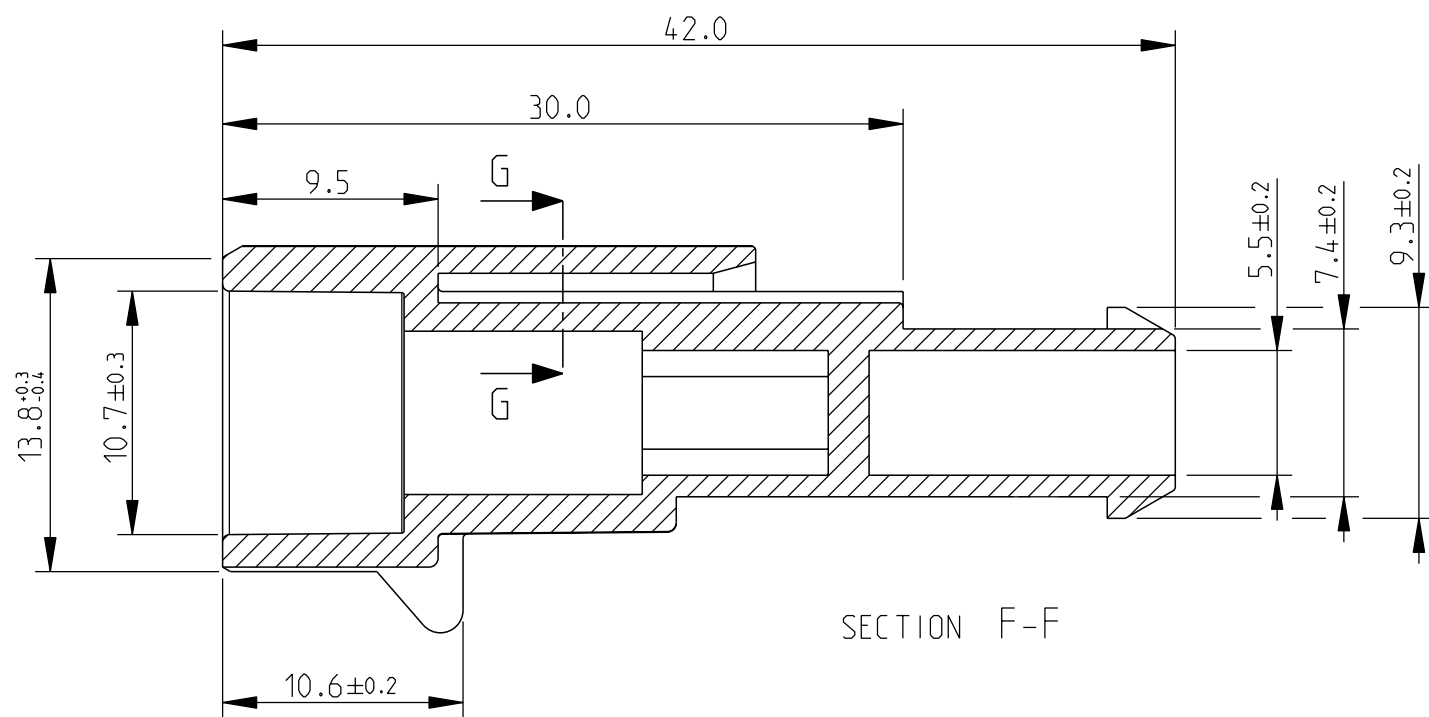
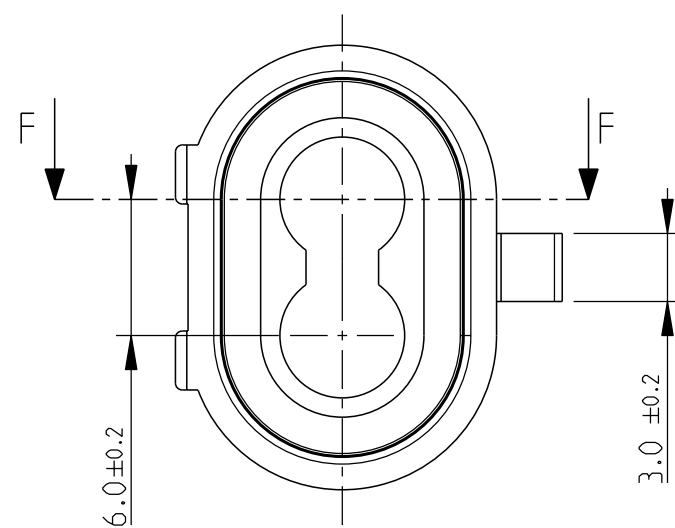
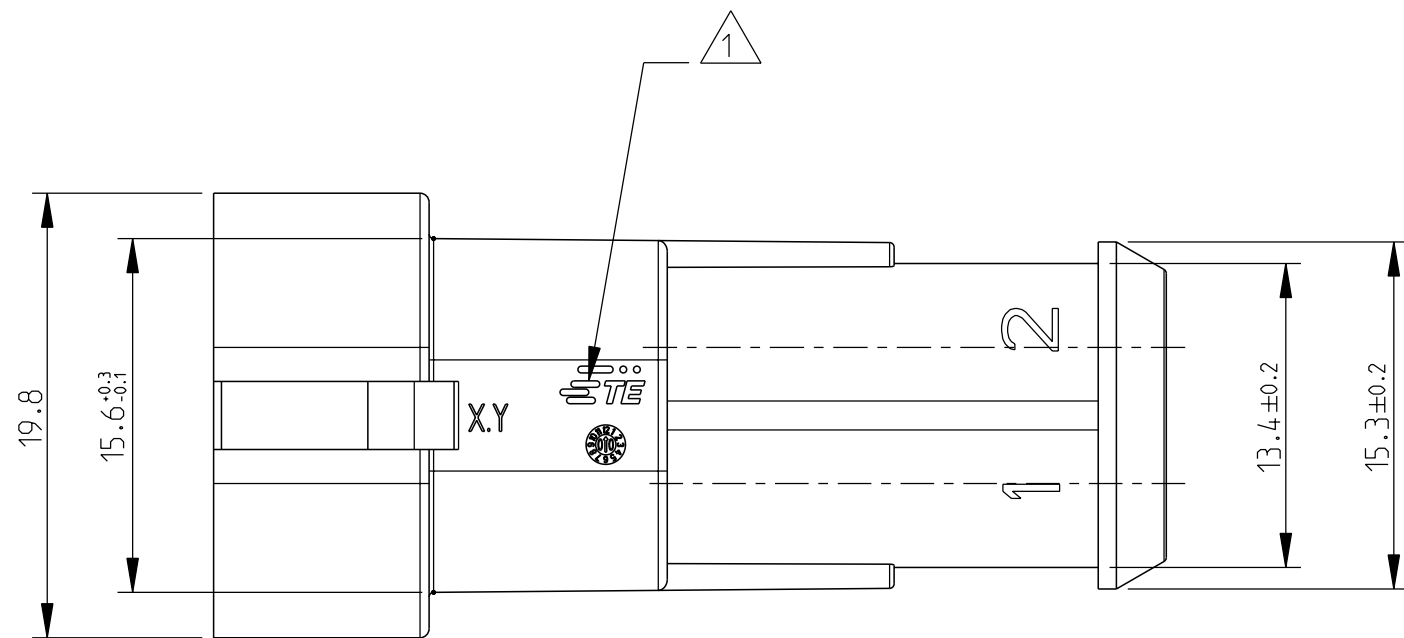
20

© COPYRIGHT 20 BY -

ALL RIGHTS RESERVED.


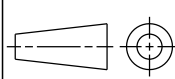
REVISIONS

P	LTR	DESCRIPTION	DATE	DWN	APVD
	A2	REVISED PER ECO-17-009774	06SEP2017	M.G.	M.G.



ORANGE	PA66-GF	A	1745022-1
FINISH/COLOR	MATERIAL	REV	PART NUMBER

 TE CONNECTIVITY TRADE MARK,
(IN ALTERNATIVE: "AMP" LOGO, OR  "Tyco Electronics" LOGO)

THIS DRAWING IS A CONTROLLED DOCUMENT.		DWN M. PALMA 17SEP2004	 TE Connectivity	
		CHK R. MARTINI 17SEP2004		
DIMENSIONS: mm		TOLERANCES UNLESS OTHERWISE SPECIFIED:		NAME AMP SUPERSEAL 1.5 SRS. 2 POSITIONS TAB CONNECTOR WITH CLOSED CAVITIES
		0 PLC ± 1 PLC ±0.3 2 PLC ± 3 PLC ± 4 PLC ± ANGLES ±2°		
MATERIAL - SEE TABLE		FINISH - SEE TABLE		SIZE A3
		PRODUCT SPEC -		CAGE CODE -
		APPLICATION SPEC -		DRAWING NO C=1745022
		WEIGHT 5.12g		RESTRICTED TO -
		CUSTOMER DRAWING		SCALE 3:1
				SHEET 1 OF 1
				REV A2