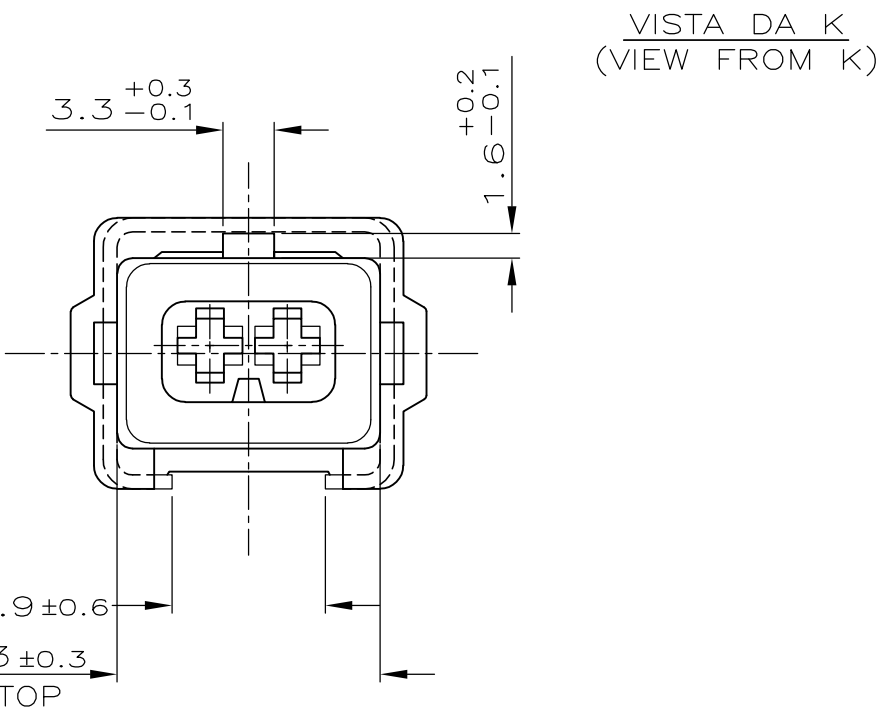
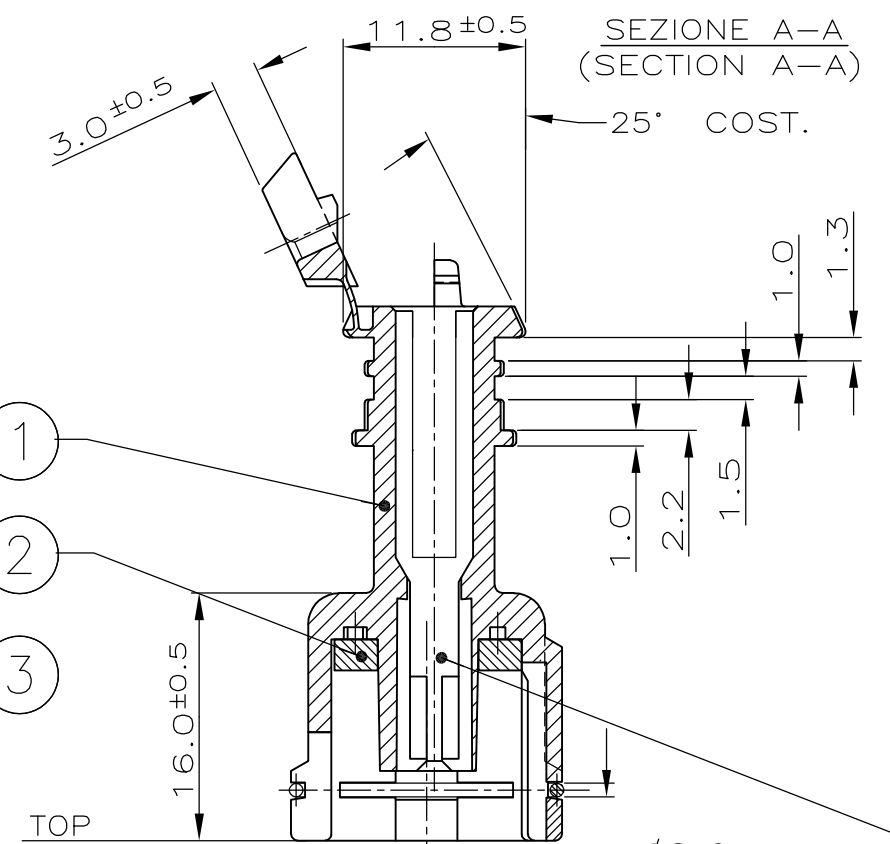
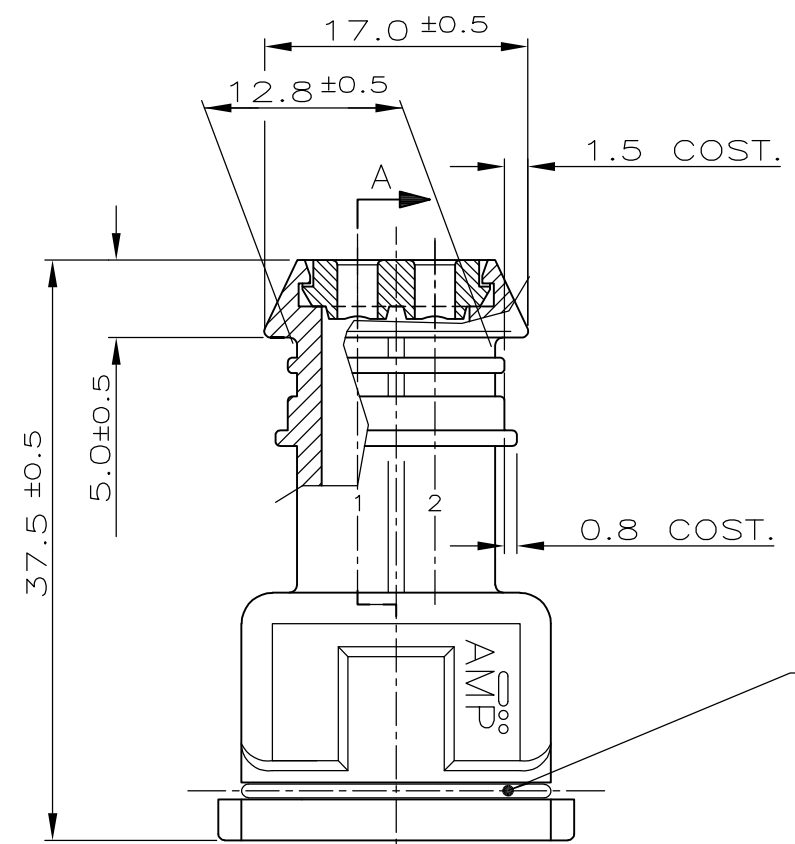


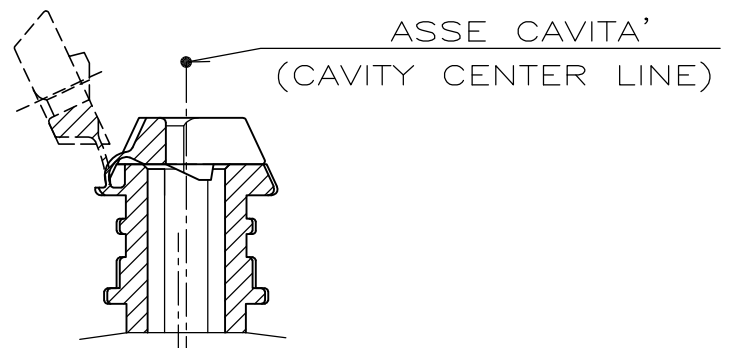
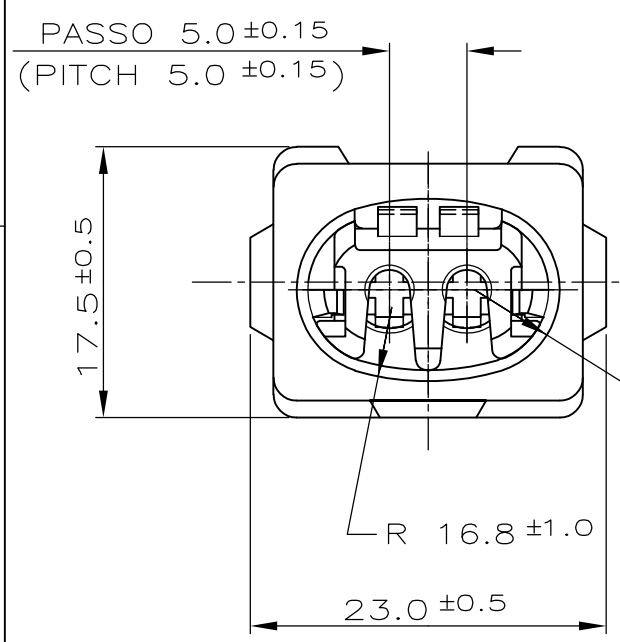
THIS DRAWING IS UNPUBLISHED. RELEASED FOR PUBLICATION
 © COPYRIGHT - By - ALL RIGHTS RESERVED.

CONNETTORE TIPO B (CON MOLLA DI RITEGNO INTERNA)
 CONNECTOR TYPE B (WITH INTERNAL SPRING)

| REVISIO | | DESCRIPTION | DATE | DWN | APVD |
|---------|-----|---------------------------|---------|-----|------|
| P | LTR | | | | |
| L1 | | REVISED PER ECO-11-005033 | 21MAR11 | RK | HMR |
| M | | ECR-14-003472 | 24MAR14 | MP | MG |



TIP. CAVITA' PER TERMINALI AMP JPT P/N 929939-...
 OPPURE 929937-... E RELATIVI GOMMINI
 AMP P/N 828904-1, 828905-1, 282536-1.
 TAPPO CAVITA' P/N 828906-2
 (TYP. CAV. FOR JPT CONT. P/N 929939-.. A/O 929937-.. AND REL.
 SINGLE WIRE SEAL P/N 828904-1, 828905-1, 282536-1
 CAVITY PLUG P/N 828906-2)



| COLORE / COLOR | NUMERO PART. No | N (ITEM) | FINITURA / COLORE (FINISH / COLOUR) | MATERIALE (MATERIAL) | DESCRIZIONE (DESCRIPTION) |
|------------------|-----------------|----------|-------------------------------------|------------------------------------|-----------------------------|
| ROSSO (RED) | 282190-8 | | | ACCIAIO INOX (STAINLESS STEEL) | MOLLA (SPRING) |
| GIALLO (YELLOW) | 282190-7 | | | | |
| MARRONE (BROWN) | 282190-6 | 3 | /////// | ACCIAIO INOX (STAINLESS STEEL) | MOLLA (SPRING) |
| BLU (BLUE) | 282190-5 | | | | |
| VERDE (GREEN) | 282190-4 | 2 | NATURALE (NATURAL) | GOMMA SILICONICA (SILICONE RUBBER) | GUARNIZIONE (RUBBER GASKET) |
| NATURALE (NATUR) | 282190-3 | | | | |
| GRIGIO (GREY) | 282190-2 | 1 | /////// | PA 6.6 | BLOCCETTO (HOUSING) |
| NERO (BLACK) | 282190-1 | | | | |

THIS DRAWING IS A CONTROLLED DOCUMENT. DWN 9 NOV 90
 Ennio CINI
 CHK 13 OCT 92
 C.TARTARI
 APVD - NAME
 PRODUCT SPEC -
 APPLICATION SPEC -
 WEIGHT -
 CUSTOMER DRAWING

TE TE Connectivity
 2 W.SPLASH PROOF CONN.ASS'Y with SECONDARY LOCK

SIZE A3 CAGE CODE 00779 DRAWING NO C=282190 RESTRICTED TO -
 SCALE NTS SHEET 1 of 2 REV M

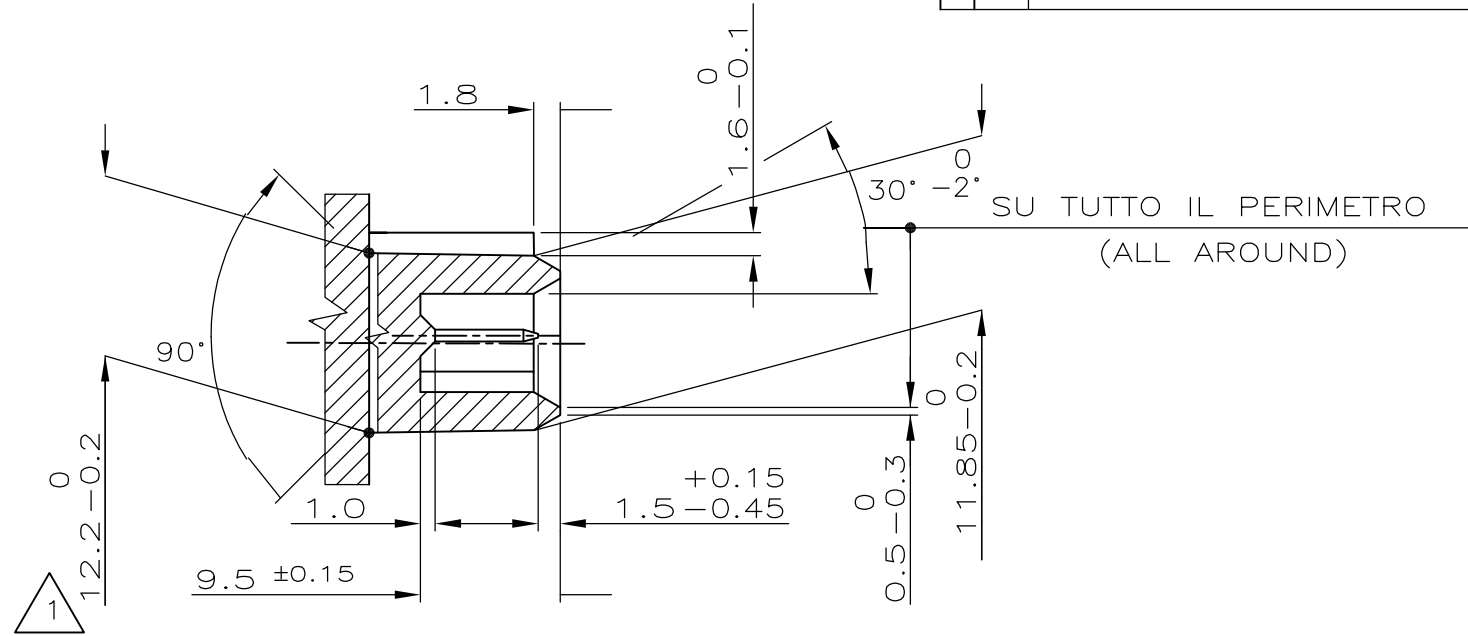
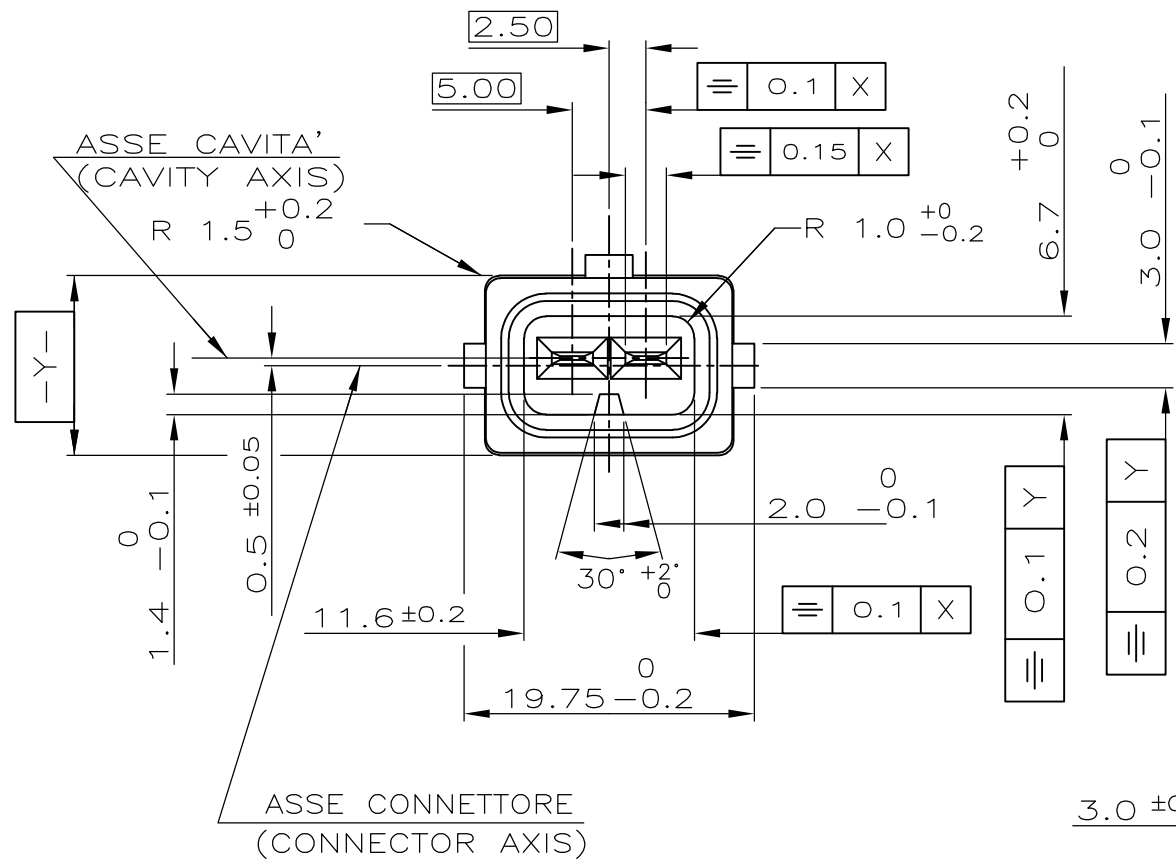
CUSTOMER DWG. FOR REFERENCE ONLY
 DISEGNO PER CLIENTE SOLO PER RIFERIMENTO

METRIC DIAM. ISOLANTE (INS. DIA. RANGE) 1.5-3.0mm (REDUCED INS. CABLE) RANGO FILO (WIRE RANGE) 0.5-2.5 mm²

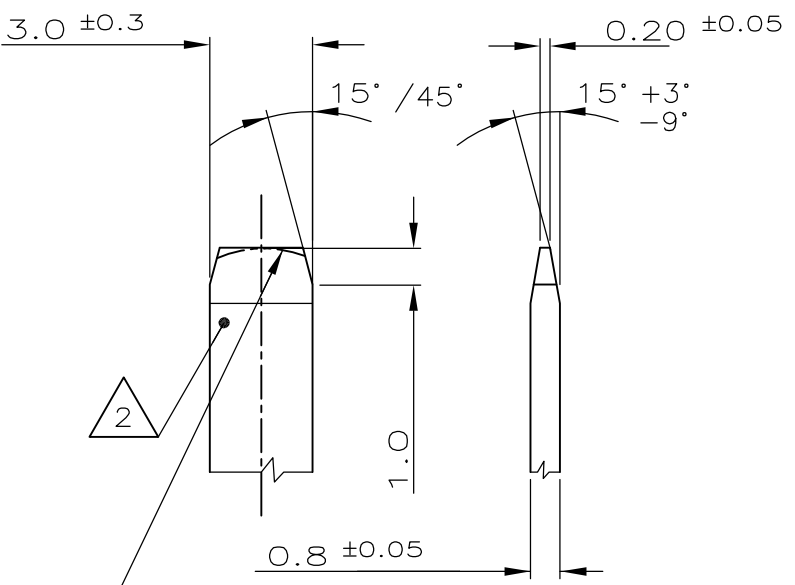
THIS DRAWING IS UNPUBLISHED. RELEASED FOR PUBLICATION
 © COPYRIGHT - By - ALL RIGHTS RESERVED.

METRIC

| REVISONS | | DATE | DWN | APVD |
|----------|-----|-------------|-----|------|
| P | LTR | DESCRIPTION | | |
| - | - | SEE SHEET 1 | - | - |

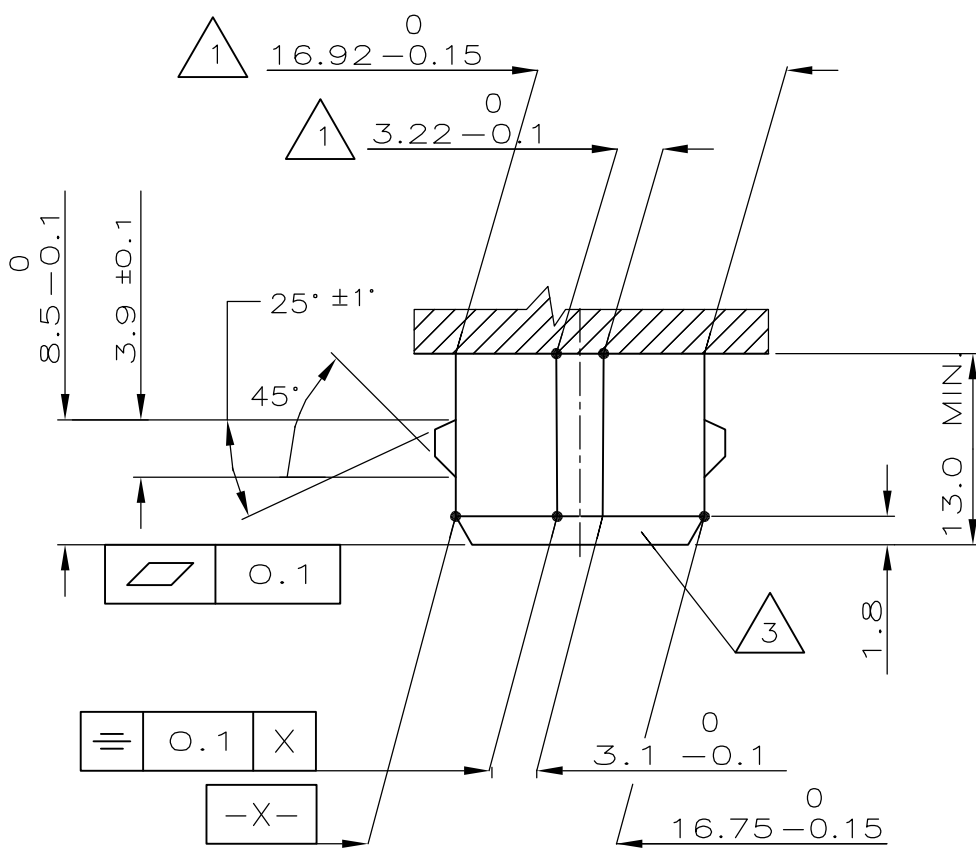


DETT. CONTATTO SC. 5:1
(TAB DETAIL SC. 5:1)



FORMA ALTERNATIVA PERMESSA CON RAGGIO
(ALLOWED ALTERNATIVE PROFILE WITH RADIUS)

- 1 QUOTE APPLICABILI PER SFORMATURA PEZZO (RIGHT DIMENSIONS FOR EXTRACTION ITEM FROM THE MOULD)
- 2 MATERIALE CONTATTI: LEGA DI RAME STAGNATA, ES. OTTONE STAGNATO. (TAB MATERIAL: TINNED Cu ALLOY, E.G. TINNED BRASS)
- 3 MATERIALE BLOCCHETTO: TERMOPLASTICO CARICATO FIBRA VETRO. (HOUSING MATERIAL: THERMOPLASTIC GLASS FIBER FILLED).



| | | | | | | | | | |
|---|--|--|--|-------------------------------------|--|--|--|----------------------|--|
| DIAM. ISOLANTE (INS. DIA. RANGE) SEE SHEET 1 | | RANGO FILO (WIRE RANGE) SEE SHEET 1 | | FINITURA / COLORE (FINISH / COLOUR) | | MATERIALE (MATERIAL) | | NUMERO (PART NUMBER) | |
| THIS DRAWING IS A CONTROLLED DOCUMENT. | | | | CUSTOMER DWG. FOR REFERENCE ONLY | | DISEGNO PER CLIENTE SOLO PER RIFERIMENTO | | | |
| DIMENSIONS: mm | | TOLERANCES UNLESS OTHERWISE SPECIFIED: | | DWN | | CHK | | APVD | |
| 0 PLC ± - | | 1 PLC ± 0.3 | | - | | - | | - | |
| 2 PLC ± - | | 3 PLC ± - | | PRODUCT SPEC | | - | | - | |
| 4 PLC ± - | | ANGLES ± 2' | | APPLICATION SPEC | | - | | - | |
| MATERIAL | | FINISH | | WEIGHT | | SIZE | | CAGE CODE | |
| - | | - | | - | | A3 | | 00779 | |
| CUSTOMER DRAWING | | | | SCALE | | SHEET | | REV | |
| - | | | | NTS | | 2 of 2 | | L1 | |

STE TE Connectivity
 2 POS.SPLASH PROOF CONN.ASS'Y with SECONDARY LOCK