

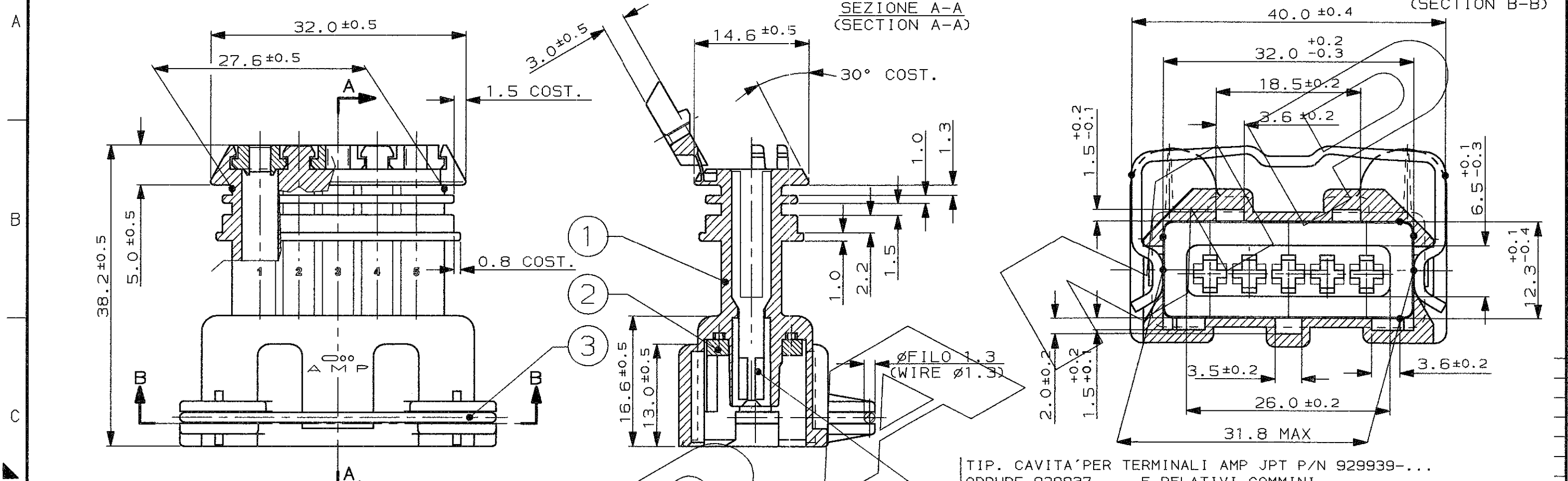
CONNETTORE TIPO A (CON MOLLA DI RITEGNO ESTERNA)  
CONNECTOR TYPE A (WITH EXTERNAL SPRING)

SCALA NON IMPEGNATIVA  
(DO NOT SCALE)  
DIMENSIONI IN mm  
(DIMENSIONS IN)

METRIC

PROIEZIONE EUROPEA  
(EUROPEAN PROJECTION)

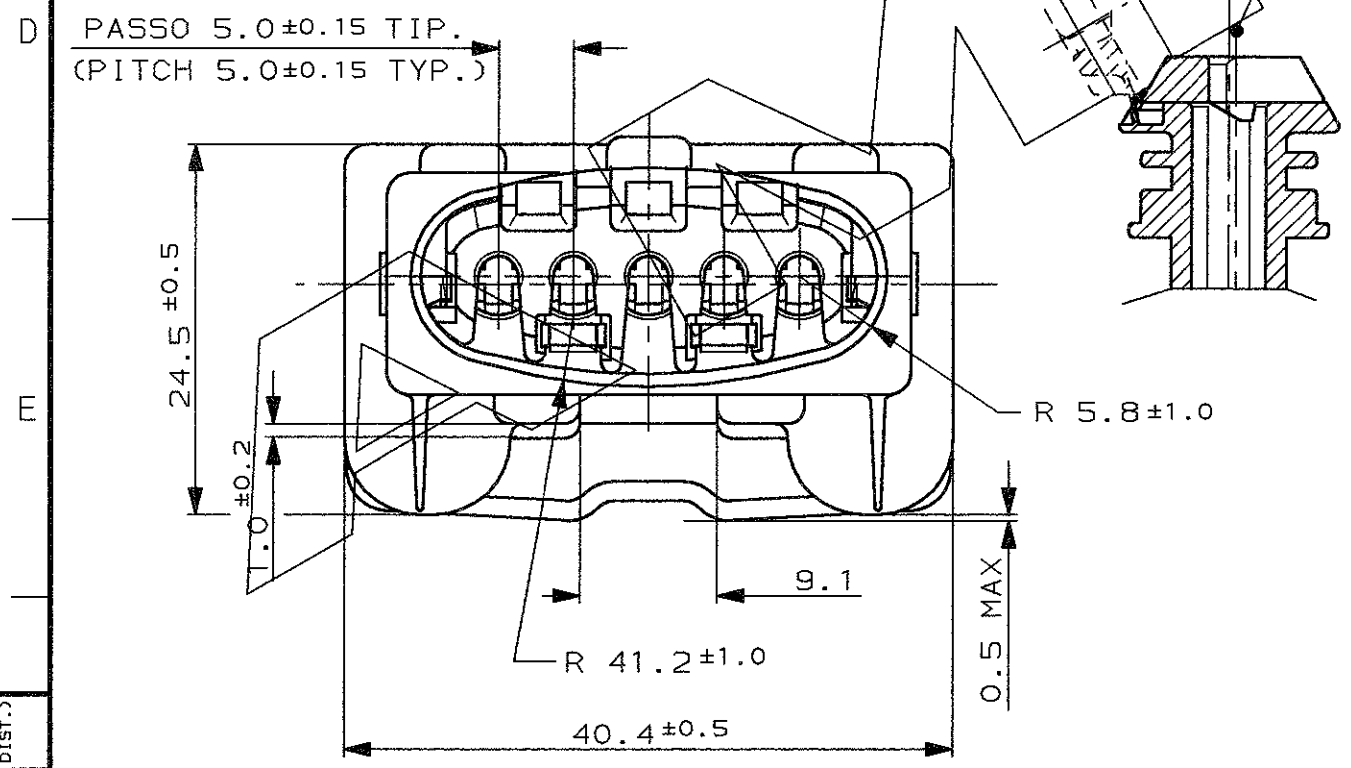
SEZIONE B-B  
(SECTION B-B)



ASSE CAVITA' (CAVITY CENTER LINE)

ASSE CONNETTORE (CONNECTOR CENTER LINE)

TIP. CAVITA' PER TERMINALI AMP JPT P/N 929939-...  
OPPURE 929937-... E RELATIVI GOMMINI  
AMP P/N 828904-1, 828905-1, 282536-1.  
TAPPO CAVITA' P/N 828906-2  
(TYP. CAV. FOR JPT CONT. P/N 929939-.. A/O 929937-.. AND REL.  
SINGLE WIRE SEAL P/N 828904-1, 828905-1, 282536-1  
CAVITY PLUG P/N 828906-2)



ROSSO (RED)	---					
GIALLO (YELLOW)	---					
MARRONE (BROWN)	---					
BLU (BLUE)	---	3	////		ACCIAIO INOX (STAINLESS STEEL)	MOLLA (SPRING)
VERDE (GREEN)	---					
NATURALE (NATUR)	---	2	NATURALE (NATURAL)		GOMMA (RUBBER)	GUARNIZIONE (RUBBER GASKET)
GRIGIO (GREY)	282193-2					
NERO (BLACK)	282193-1	N	1	////	PA 6.6	BLOCCHETTO (HOUSING)
COLORE (COLOR)	NUMERO (PART. N°)	REV. ASSY	N° ITEM	FINITURA / COLORE (FINISH / COLOUR)	MATERIALE (MATERIAL)	DESCRIZIONE (DESCRIPTION)

CUSTOMER DWG. FOR REFERENCE ONLY  
DISEGNO PER CLIENTE SOLO PER RIFERIMENTO

THIS DRAWING IS UNPUBLISHED  
RELEASE FOR PUBLICATION 19

© COPYRIGHT 19 BY AMP INCORPORATED, HARRISBURG, PA. ALL INTERNATIONAL RIGHT RESERVED. AMP PRODUCTS MAY BE COVERED BY U.S. AND FOREIGN PATENT AND/OR PATENT PENDING

TOLLERANZE: SE NON DIVERSAMENTE SPECIFICATO  
(TOLERANCES: UNLESS OTHERWISE SPECIFIED)

DIAM. ISOLANTE (INS. DIA. RANGE)	RANGO FILO (WIRE RANGE)	SCALA (SCALE)
1.5-3.0 (REDUCED INS. CABLE)	0.5-2.5 mm <sup>2</sup>	***

ANGOLI (ANGLES) ± 0.3  
± 2°

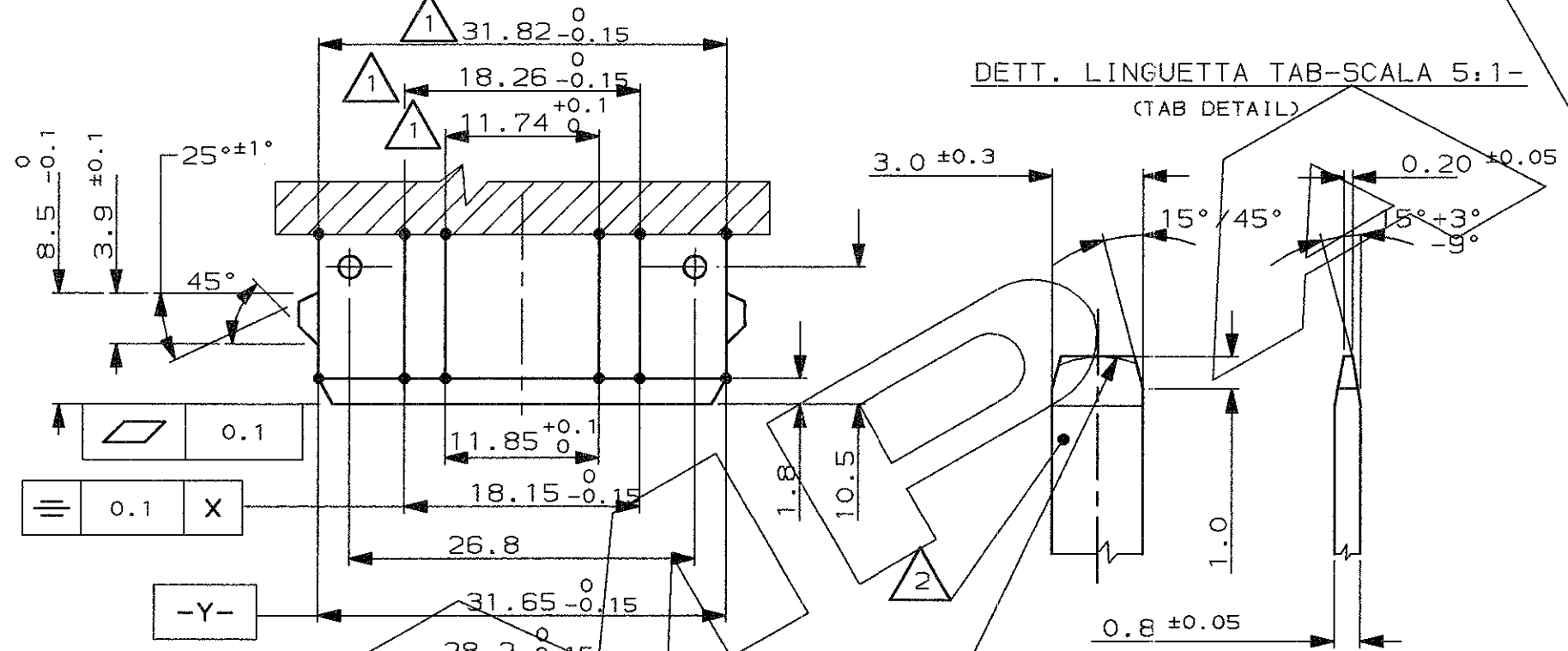
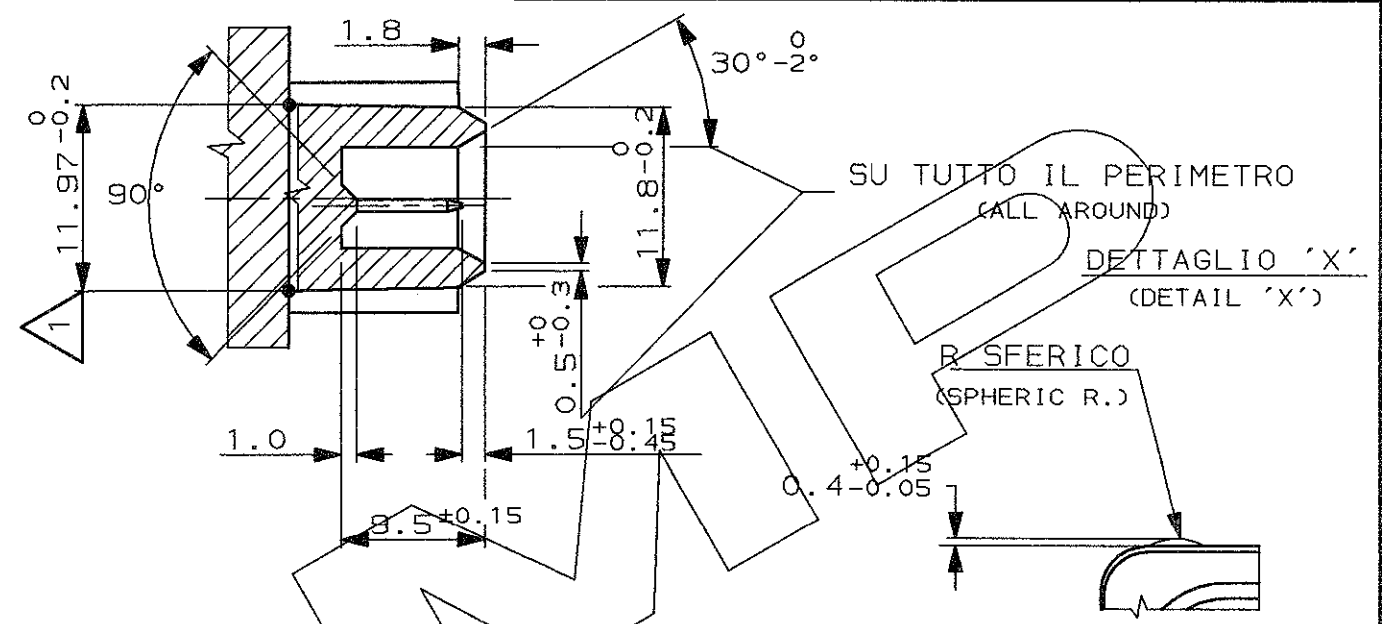
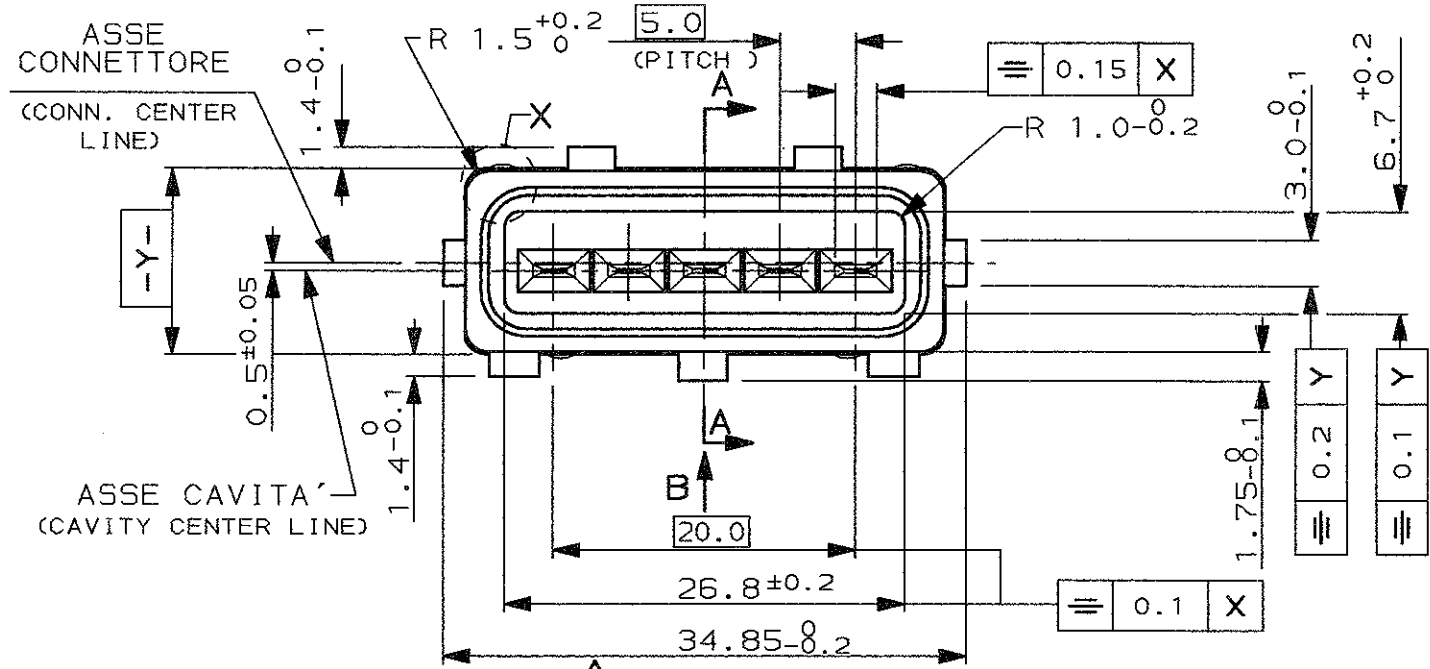
DIS. NOV. 9 '90 (DR.)  
Ennio CINI  
CONT. 13 OCT 92 (CHK) C. TARTARI



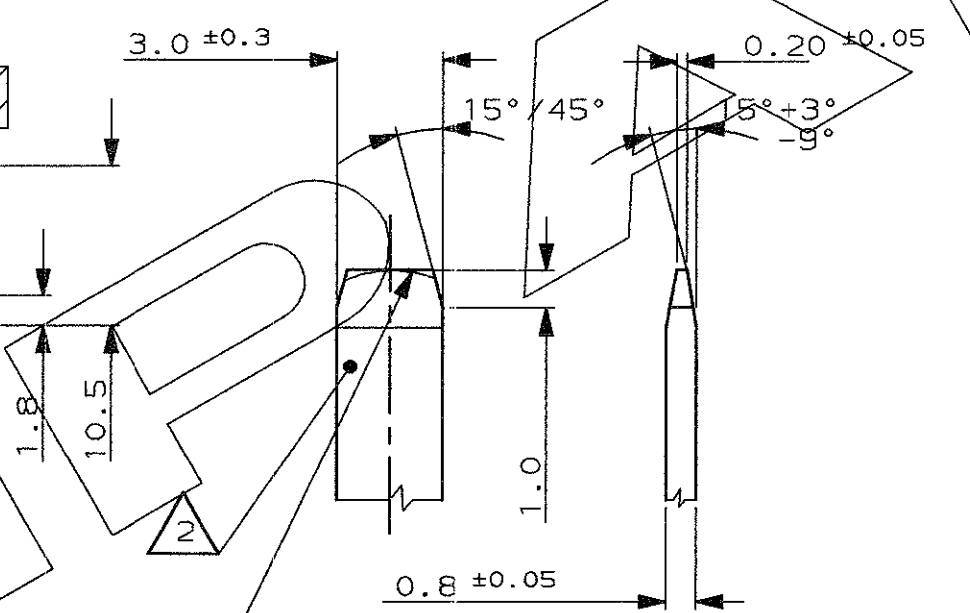
DESCRIZIONE (DESCRIPTION)  
5 W. SPLASH PROOF CONN. ASS'Y with SECONDARY LOCK

N ECR-14-003472	MP	24 MAR 2014	APP. (APP.)
REV. (REV.)	REVISIONI (REVISION RECORD)	DIS. DATA (DR) (DATE)	
I A3	C-282193	N	1 DI 2 (OF) 2

DISTRIBUZIONE (PRINT DIST.)



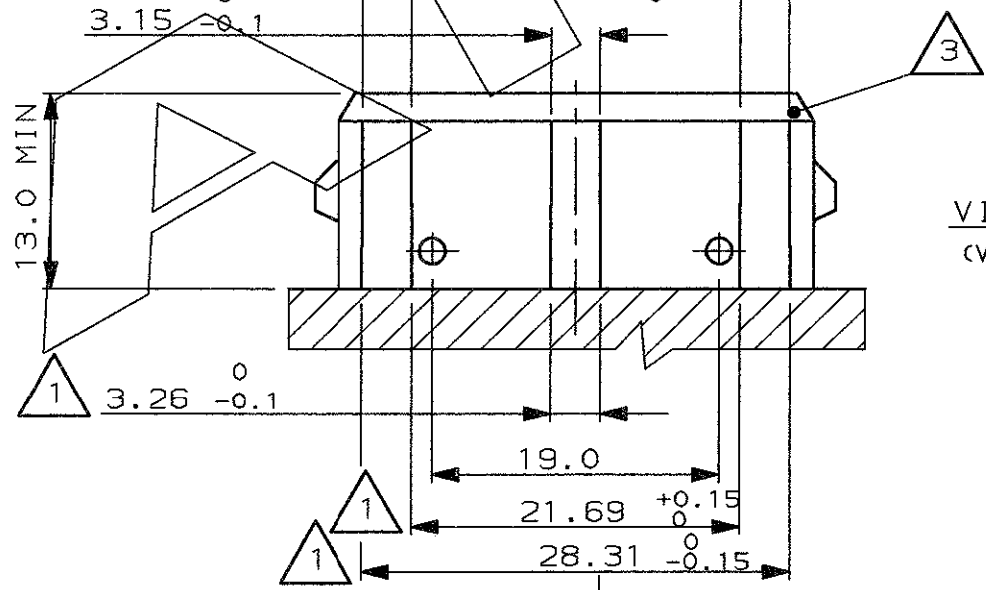
DETT. LINGUETTA TAB-SCALA 5:1- (TAB DETAIL)



- 1 QUOTE APPLICABILI PER SFORMATURA PEZZO (DRAFT PERMITTED TO FACILITATE REMOVAL OF PART FROM THE MOULD)
- 2 MATERIALE LINGUETTE; LEGA DI RAME STAGNATA, ES. OTTONE STAGNATO. (TAB CONTACT MATERIAL: TIN PLATED COPPER ALLOY. E.G. BRASS TIN PLATED)
- 3 MATERIALE BLOCCHETTO: TERMOPLASTICO CARICATO FIBRA VETRO. (HOUSING MATERIAL: THERMOPLASTIC, GLASS FIBER FILLED)

FORMA ALTERN. PERMESSA CON RAGGIO (ALLOWED ALTERNATIVE PROFILE WITH RADIUS)

VISTA DA "B" (VIEW FROM "B")



FINITURA / COLORE (FINISH / COLOUR)		MATERIALE (MATERIAL)	NUMERO (PART NUMBER)
CUSTOMER DWG. FOR REFERENCE ONLY		DISEGNO PER CLIENTE SOLO PER RIFERIMENTO	
THIS DRAWING IS UNPUBLISHED		RELEASE FOR PUBLICATION	19
© COPYRIGHT 19 BY AMP INCORPORATED, HARRISBURG, PA. ALL INTERNATIONAL RIGHT RESERVED. AMP PRODUCTS MAY BE COVERED BY U.S. AND FOREIGN PATENT AND/OR PATENT PENDING			
TOLLERANZE, SE NON DIVERSAMENTE SPECIFICATO (TOLERANCES, UNLESS OTHERWISE SPECIFIED)	DIAM. ISOLANTE (INS. DIA. RANGE)	RANGO FILO (WIRE RANGE)	SCALA (SCALE)
± 0.3	SEE SHEET 1 OF 2	SEE SHEET 1 OF 2	---
ANGOLI (ANGLES)	TE Connectivity		
± 2°	DESCRIZIONE (DESCRIPTION)		
DIS. (DR.)	5 POS. SPLASH PROOF CONN. ASS'Y with SECONDARY LOCK		
CONT. (CHK)	LOC. (APP.)	SIZE (DWG NO)	REV. (SHEET)
SEE SHEET 1 OF 2	I A3	C-282193	- 2 (OF) 2
REV. (REV. DATE)	REVISIONI (REVISION RECORD)	DIS. DATA (DR. DATE)	APP. (APP.)

DISTRIBUZIONE (PRINT DIST.)