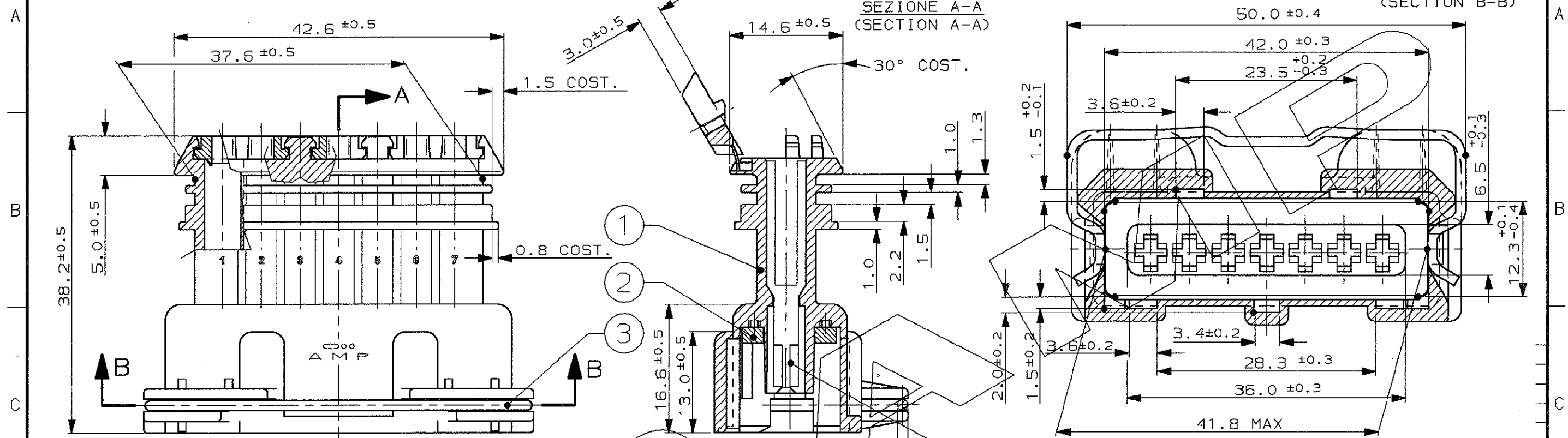


CONNETTORE TIPO A (CON MOLLA DI RITEGNO ESTERNA)
CONNECTOR TYPE A (WITH EXTERNAL SPRING)

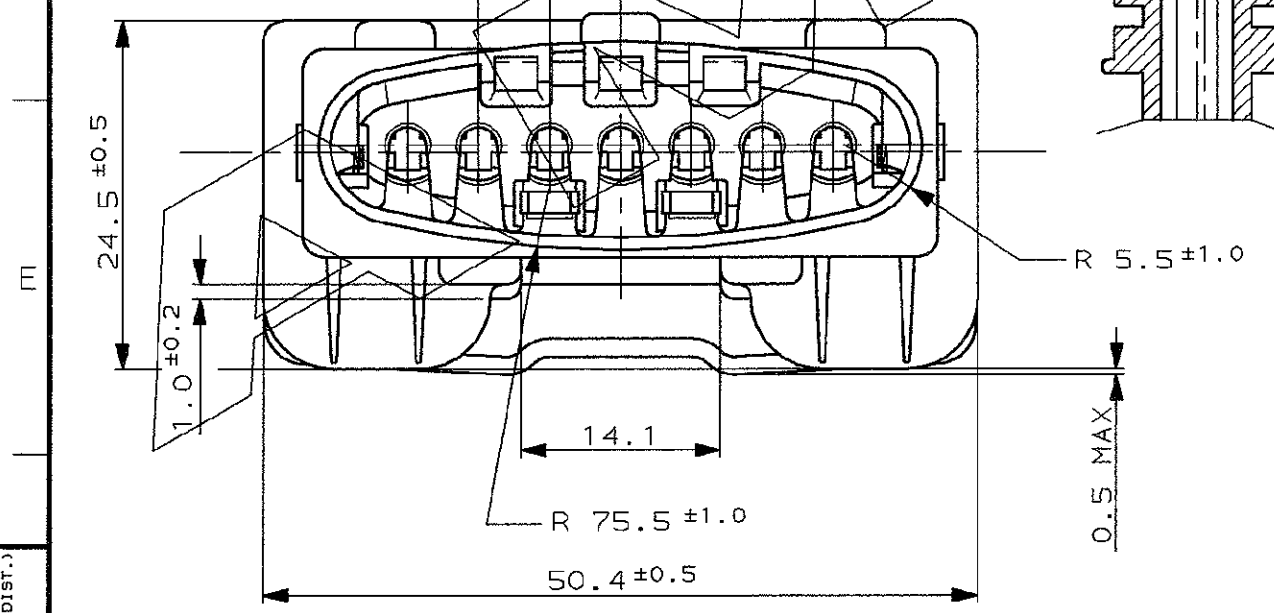


ASSE CAVITA' (CAVITY CENTER LINE)

ASSE CONNETTORE (CONNECTOR CENTER LINE)

TIP. CAVITA' PER TERMINALI AMP JPT P/N 929939-...
AMP P/N 828904-1, 828905-1, 282536-1.
TAPPO CAVITA' P/N 828906-2
CTYP. CAV. FOR JPT CONT. P/N 929939-... A/O 929937-... AND REL.
SINGLE WIRE SEAL P/N 828904-1, 828905-1, 282536-1
CAVITY PLUG P/N 828906-2

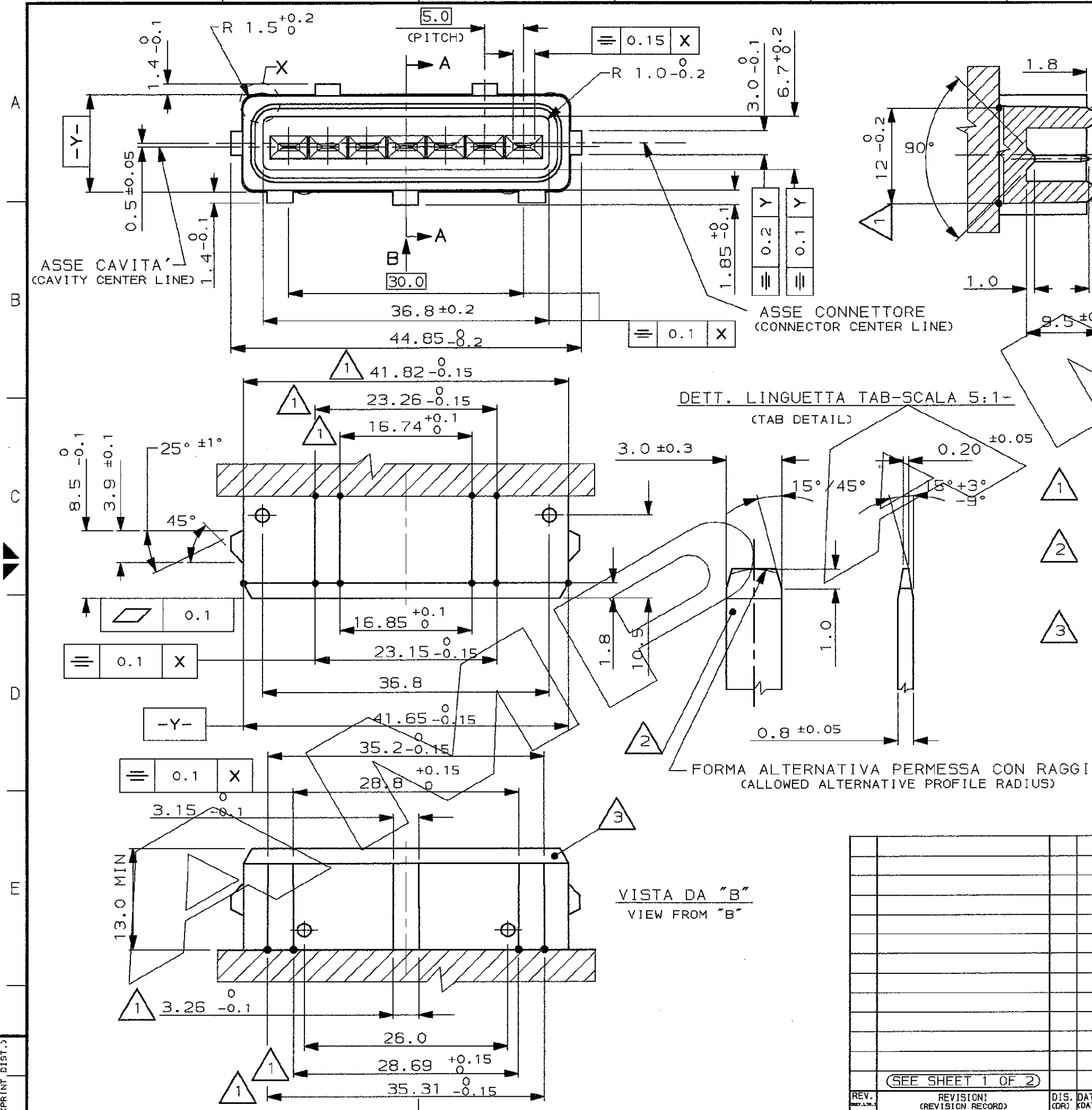
PASSO 5.0 ± 0.15 TIP.
(PITCH 5.0 ± 0.15 TYP.)



ROSSO (RED)	-----				
GIALLO (YELLOW)	-----				
MARRONE (BROWN)	-----				
BLU (BLUE)	-----	3	//////	ACCIAIO INOX (STAINLESS STEEL)	MOLLA (SPRING)
VERDE (GREEN)	-----				
NATURALE (NATUR)	-----	2	NATURALE (NATURAL)	GOMMA (RUBBER)	GUARNIZIONE (RUBBER GASKET)
GRIGIO (GREY)	282194-2				
NERO (BLACK)	282194-1	1	//////	PA 6.6	BLOCCHETTO (HOUSING)
COLORE (COLOR)	NUMERO (PART. N°)	N° (ITEM)	FINITURA / COLORE (FINISH / COLOUR)	MATERIALE (MATERIAL)	DESCRIZIONE (DESCRIPTION)

M	ECR-14-003472	MP	24MAR 2014	CUSTOMER DWG. FOR REFERENCE ONLY		DISEGNO PER CLIENTE SOLO PER RIFERIMENTO	
L	AGGIOR. CON ET00-0221-96 REVISED FOR ET00-0221-96	A.F.	27-5 '96	THIS DRAWING IS UNPUBLISHED		RELEASE FOR PUBLICATION 19	
H	AGGIOR. CON ET00-0108-95 REVISED FOR ET00-0108-95	M.P.	11-5 '95	© COPYRIGHT 19 BY AMP INCORPORATED, HARRISBURG, PA. ALL INTERNATIONAL RIGHT RESERVED. AMP PRODUCTS MAY BE COVERED BY U.S. AND FOREIGN PATENT AND/OR PATENT PENDING		TOLLERANZE: SE NON DIVERSAMENTE SPECIFICATO (TOLERANCES, UNLESS OTHERWISE SPECIFIED)	
G	AGG. FOGLIO 2 (ADDED SH.2)	R.M.	3-9 '92	± 0.3		DIAM. ISOLANTE (INS. DIA. RANGE) 1.5-3.0 (REDUCED INS. CABLE)	RANGO FILO (WIRE RANGE) 0.5-2.5 mm ² ***
F	IN PRODUZIONE (IN PRODUCTION)	R.M.	13-10 '92	± 2°		SCALA (SCALE) ***	
E	AGGIORNATO (REVISED)	R.M.	26-5 '92	ANGOLI (ANGLES)		TE Connectivity	
D	AGGIORNATO (REVISED)	R.M.	17-3 '92	DIS. NOV. 9. '90 (DR.)		DESCRIZIONE (DESCRIPTION) 7 W. SPLASH PROOF CONN. ASS'Y with SECONDARY LOCK	
C	AGGIORNATO (REVISED)	R.M.	2-3 '92	Ennio CINTI		LOC. SIZE NUMERO (DWG NO)	
B	AGGIORNATO (REVISED)	R.M.	4-9 '91	CONT. 13 OCT 92 (CHK) C. TARTARI		REV. FOGLIO (SHEET) M 1 DI (OF) 2	
A	WAS P/N C-90-51265-70	C.E.	2.91	APP. (APP.)		DIS. DATA (DR) (DATE)	
REV.	REVISIONI (REVISION RECORD)	DIS. DATA (DR) (DATE)		I A3 C-282194			

DISTRIBUZIONE (PRINT DIST.)



- 1 QUOTE APPLICABILI PER SFORMATURA PEZZO (DRAFT PERMITTED TO FACILITATE REMOVAL OF PART FROM THE MOULD)
- 2 MATERIALE LINGUETTE: LEGA DI RAME STAGNATA, ES. OTTONE STAGNATO. (TAB CONTACT MATERIAL: TIN PLATED COPPER ALLOY. E.G. BRASS TIN PLATED)
- 3 MATERIALE BLOCCHETTO: TERMOPLASTICO CARICATO FIBRA VETRO. (HOUSING MATERIAL: THERMOPLASTIC, GLASS FIBER FILLED)

FINITURA / COLORE (FINISH / COLOUR)	MATERIALE (MATERIAL)	NUMERO (PART NUMBER)
CUSTOMER DWG. FOR REFERENCE ONLY	DISEGNO PER CLIENTE SOLO PER RIFERIMENTO	19
THIS DRAWING IS UNPUBLISHED - RELEASE FOR PUBLICATION		
© COPYRIGHT 19 BY AMP INCORPORATED, HARRISBURG, PA. ALL INTERNATIONAL RIGHT RESERVED. AMP PRODUCTS MAY BE COVERED BY U.S. AND FOREIGN PATENT AND/OR PATENT PENDING		
TOLLERANZE, SE NON DIVERSAMENTE SPECIFICATO (TOLERANCES, UNLESS OTHERWISE SPECIFIED)	DIAM. ISOLANTE (INS. DIA. RANGE)	RANGO FILO (WIRE RANGE)
± 0.3	---	---
ANGOLI (ANGLES) ± 2°		
DIS. (DR.)		
CONT. (CHK)	DESCRIZIONE (DESCRIPTION)	
	7 POS. SPLASH PROOF CONN. ASS'Y with SECONDARY LOCK	
APP. (DATE)	LOC. SIZE NUMERO (DWG NO)	REV. FOGLIO (SHEET) (OF)
	I A3 C-282194	- 2 (OF) 2

REV. (REV.)	REVISIONI (REVISION RECORD)	DIS. DATA (DR. DATE)

DISTRIBUZIONE (PRINT DIST.)