

4

3

2

1

THIS DRAWING IS UNPUBLISHED. RELEASED FOR PUBLICATION
 © COPYRIGHT - By - ALL RIGHTS RESERVED.

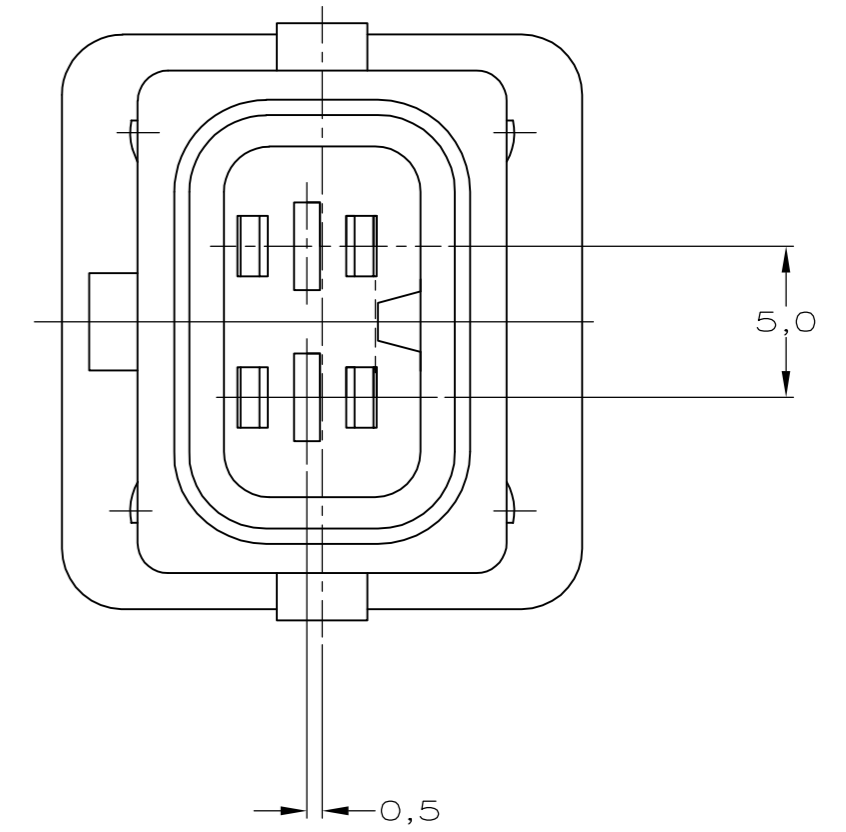
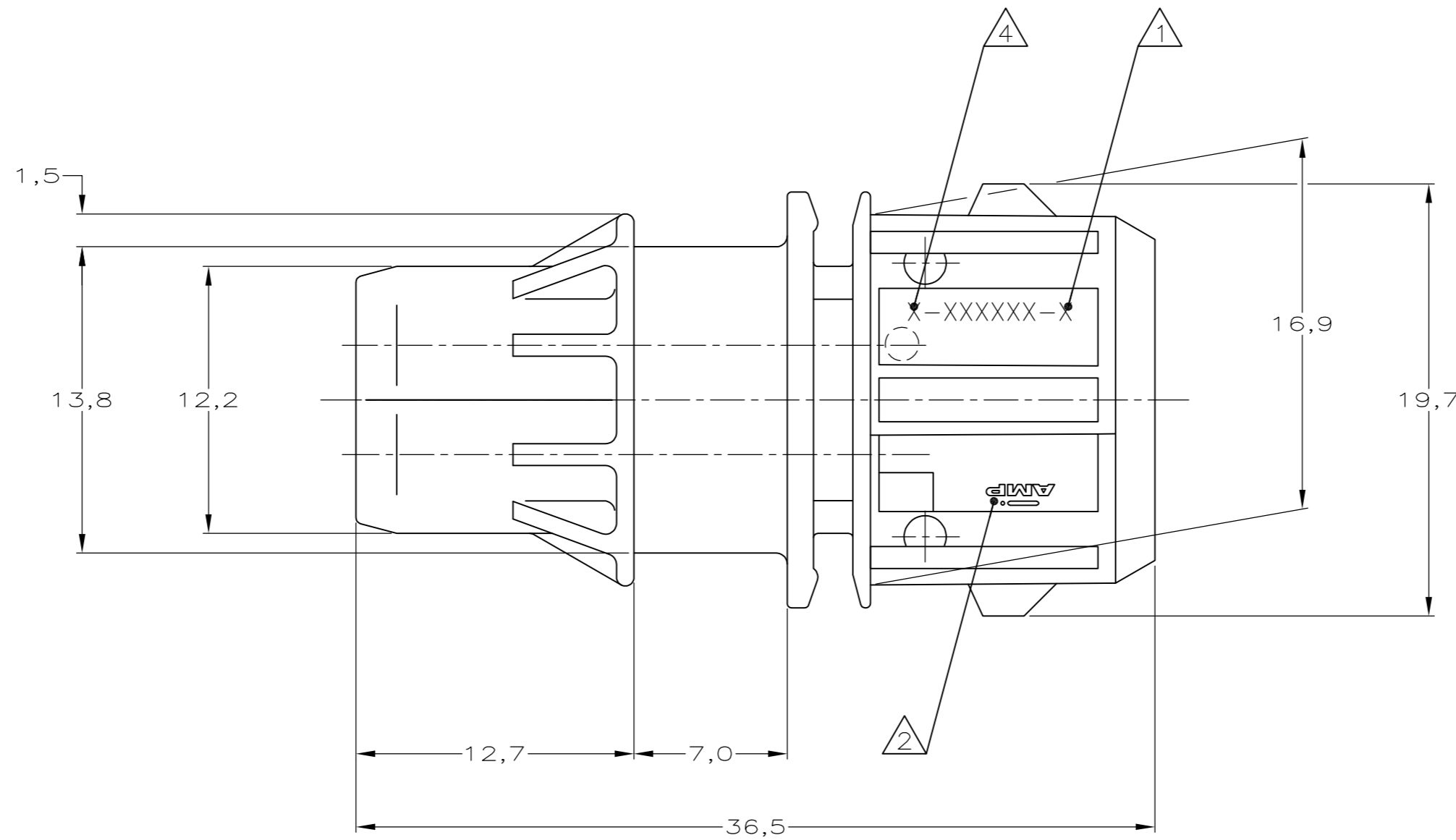
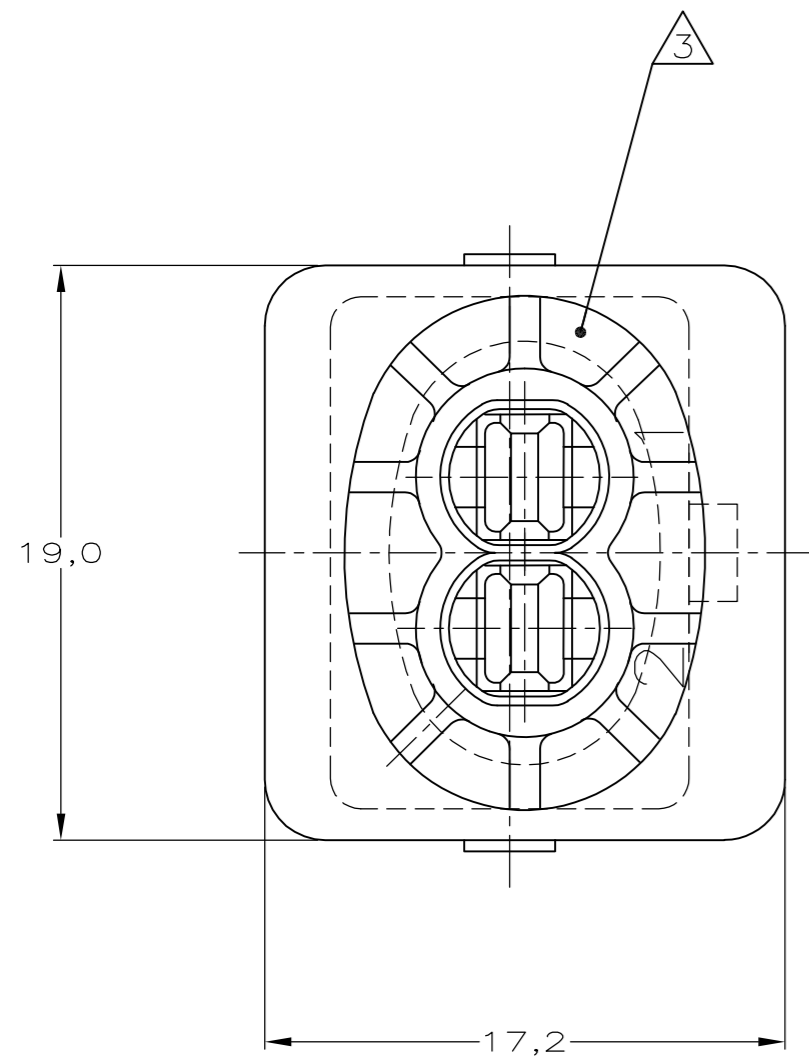
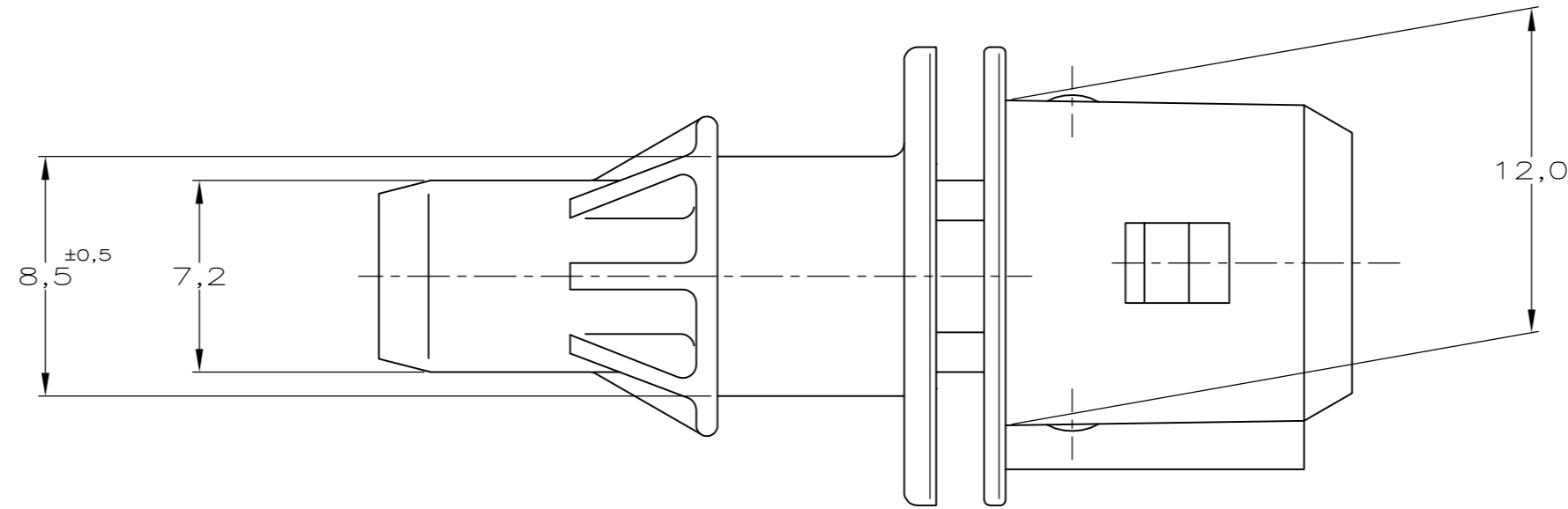
METRIC

Loc -
 DIST -

P		LTR	DESCRIPTION	DATE	DWN	APVD
E1			REVISED PER ECO-11-005150	19MAR11	RK	HMR
E2			ECR-13-018496	02DEC2013	VK	BB

NOTES:

- ▲ PARTNUMBER IDENTIFICATION.
- ▲ AMP TRADE MARK.
- ▲ CAVITY IDENTIFICATION.
- ▲ POCKET IDENTIFICATION.
- 5 FITS TO HOUSING JR TIMER 282189-1 AND 827551-1.



BLACK	PBT	106462-1
FINISH	MATERIAL	PARTNUMBER

THIS DRAWING IS A CONTROLLED DOCUMENT.		DWN -
DIMENSIONS: mm		CHK D.KESSLER 5 SEP 00
TOLERANCES UNLESS OTHERWISE SPECIFIED: ± 0.5 mm		M. v DRIEL
0 PLC ± -		APVD M. v DRIEL 5 SEP 00
1 PLC ± -		PRODUCT SPEC
2 PLC ± -		APPLICATION SPEC
3 PLC ± -		WEIGHT -
4 PLC ± -		CUSTOMER DRAWING
ANGLES ± -		FINISH -

NAME		2 POS. 2.8mm TAB HOUSING	
SIZE	CAGE CODE	DRAWING NO	RESTRICTED TO
A2	00779	C=106462	-
SCALE	SHEET	REV	
-	1 of 1	E2	

106462