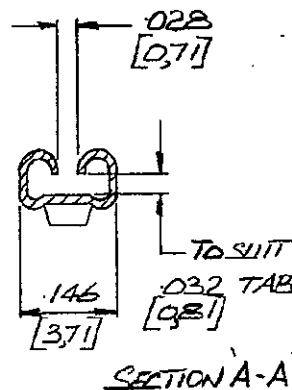
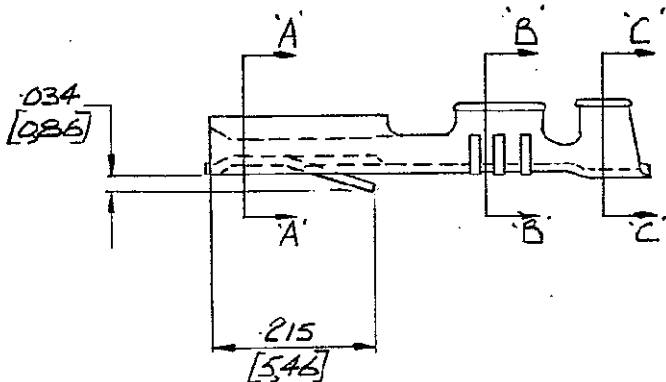
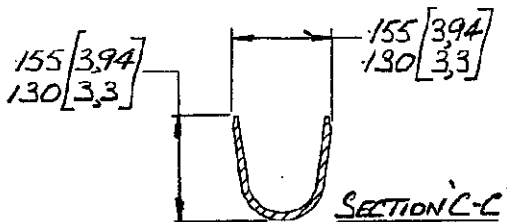
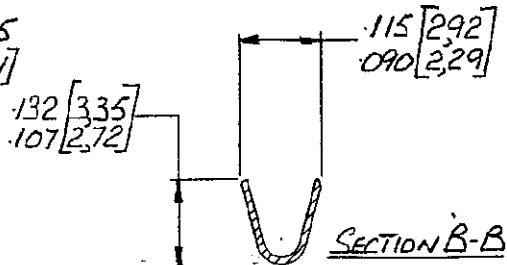
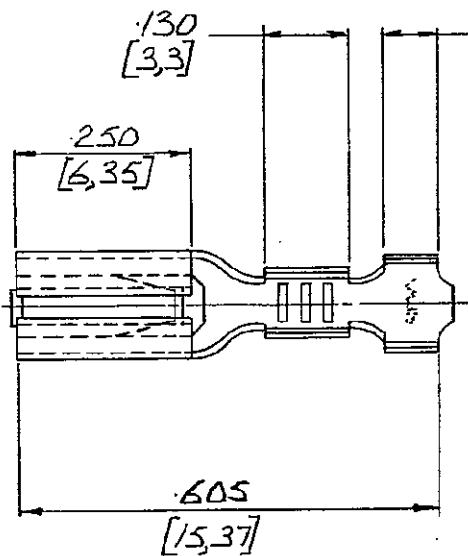


NUMBER  
C/50572

3rd ANGLE (AMERICAN) PROJECTION

DIMENSIONS IN INCHES. DO NOT SCALE PRINT.  
DIMENSIONS TABLE C 3 IN MM.



	150572-2	ELECTRO-TIN	REELED WITH PAPER INTERLEAVE
OBSOLETE	150572-1	PRE-TIN.	(1)
	PART NO	FINISH	

				© AIRCRAFT-MARINE PRODUCTS (GREAT BRITAIN) LTD 1968		CUSTOMER COPY REFERENCE ONLY	
M1	ECR-10-010418	RK	SRE	11FEB10	MATERIAL AND FINISH .010 [0,25] BRASS SEE TABLE		Tyco Electronics AIRCRAFT-MARINE PRODUCTS (GREAT BRITAIN) LTD, STANMORE, MIDDX.
M	REV IN LINE WITH PROD. DRAWING ECRD-0430-98	MJH		14/8/98	WIRE -- RANGE 20-16 INSULATION 080-120 [2,3-3,0]		CLASS
C	PAPER INTERLEAVE ADDED TO -15-2			16/1/89	TOLERANCE EXCEPT AS NOTED ± .015 [0,4] ± 1° 4:1		TYPE
B	LANSE SKETCHES ADDED PICTORIALY	ABK		22/1/90	LOC	NO	REV
A	REDRAWN	P	BH	10.5.68	E	A	C/150572
LTR	REVISION RECORD	DR	CHK	DATE	NAME		M1
DE	P. J. LUTMAN 10.5.68	DE	R. J. AVERLEY 10.5.68	APP	MINIATURE FASTIN FASTON (110 SERIES)		

PRINT DIST

.508