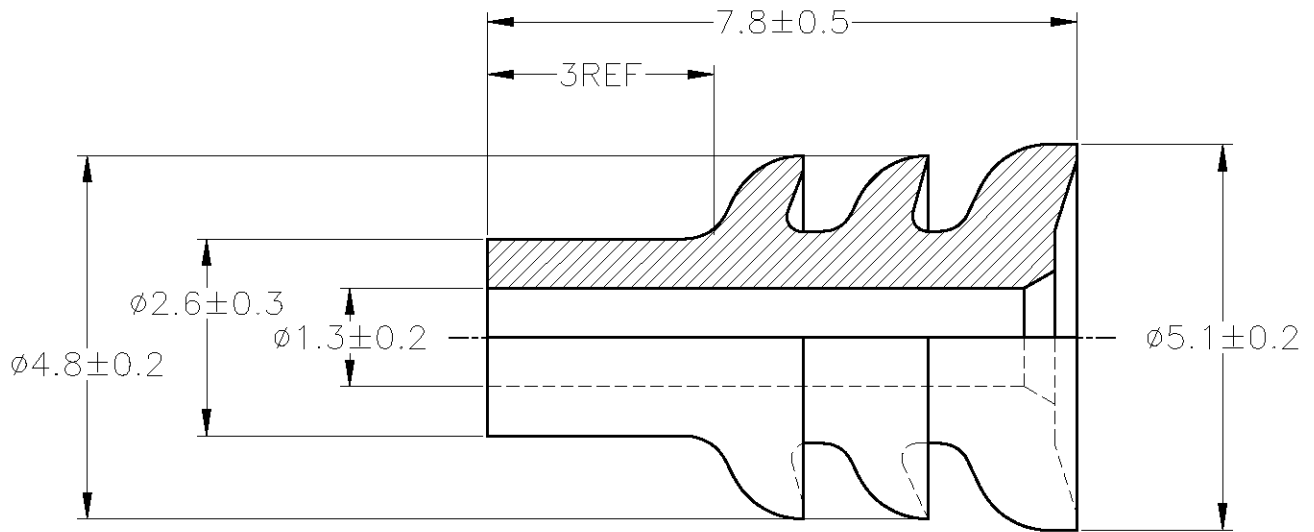


LOC	DIST	REVISIONS					
J	—	P	LTR	DESCRIPTION	DATE	DWN	APVD
		A1	REDRAWN W/CHANGE	ECR-11-013107	23JUL11	TS	KB



- ① OIL COATED TYPE
- ② RECOMMENDED PROCESS : AUTOMATIC MACHINE
- ③ RECOMMENDED PROCESS : MANUAL

- ① オイル塗布タイプ
- ② 推奨工程：自動機械
- ③ 推奨工程：手動

WIRE RANGE	INSULATION DIA.
0.2~0.5 (AV, AVS) mm ² (AWG#24-#20)	1.4~2.4 mmφ

②	NBR	黒 BLACK	9-172746-1
③	NBR ①	黒 BLACK	172746-1
	材料 MATERIAL	色 COLOR	型番 PART NUMBER

THIS DRAWING IS UNPUBLISHED.

ALL RIGHTS RESERVED.

COPYRIGHT - By Tyco Electronics Japan G.K.

DIMENSIONS: mm TOLERANCES UNLESS OTHERWISE SPECIFIED: 0 PLC ± - 1 PLC ± - 2 PLC ± - 3 PLC ± - 4 PLC ± - ANGLES ± -	DWN	T.SHINOHARA	23JUN11	MATERIAL	SEE TABLE	FINISH	-						
	CHK	K.BETSUI	23JUN11	TE Connectivity									
	APVD	K.BETSUI	23JUN11										
	PRODUCT SPEC	-			NAME	070 TYPE RUBBER PLUG							
APPLICATION SPEC	-			SIZE	A4	CAGE CODE	00779	DRAWING NO	C-172746	RESTRICTED TO	-		
WEIGHT	-			CUSTOMER DRAWING				SCALE	10:1	SHEET	1 of 1	REV	A1

Mouser Electronics

Authorized Distributor

Click to View Pricing, Inventory, Delivery & Lifecycle Information:

[TE Connectivity:](#)

[172746-1](#)