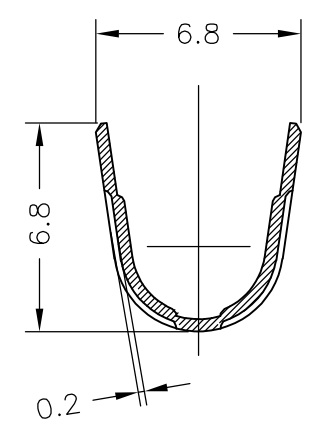


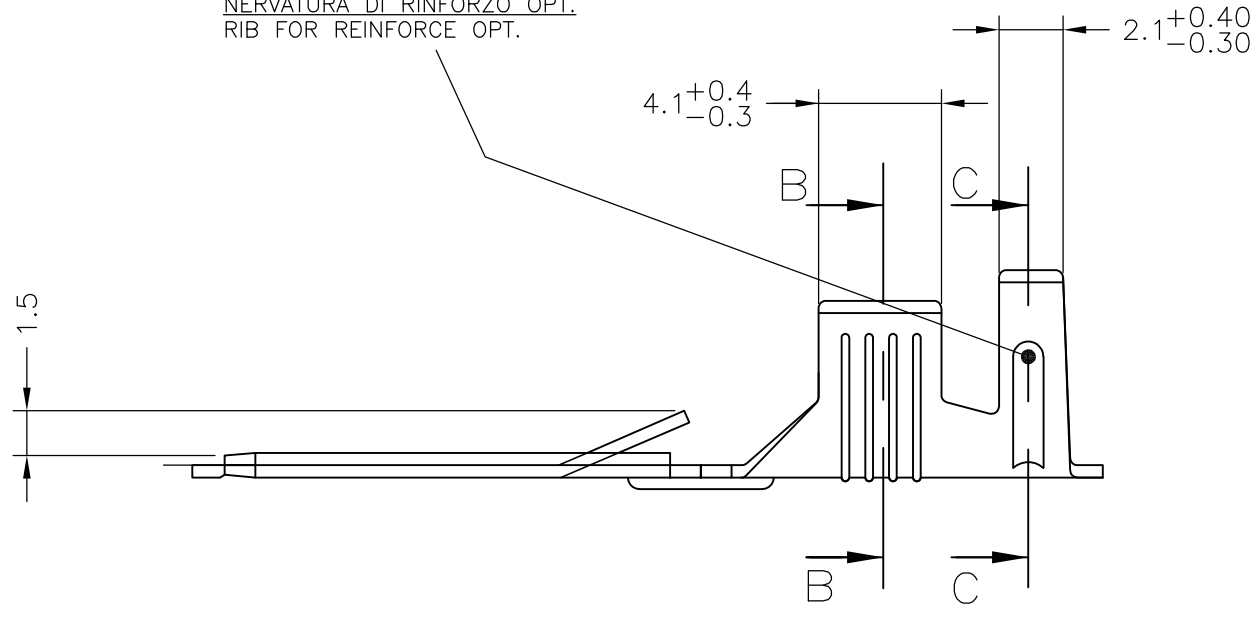
THIS DRAWING IS UNPUBLISHED. RELEASED FOR PUBLICATION 9 DEC ,1991.  
 © COPYRIGHT 1991 By - ALL RIGHTS RESERVED.

LOC	DIST	REVISIONS			
P	LTR	DESCRIPTION	DATE	DWN	APVD
—	—	AM7	REVISE PER ECR-17-010701	31JULY2017	DT TD

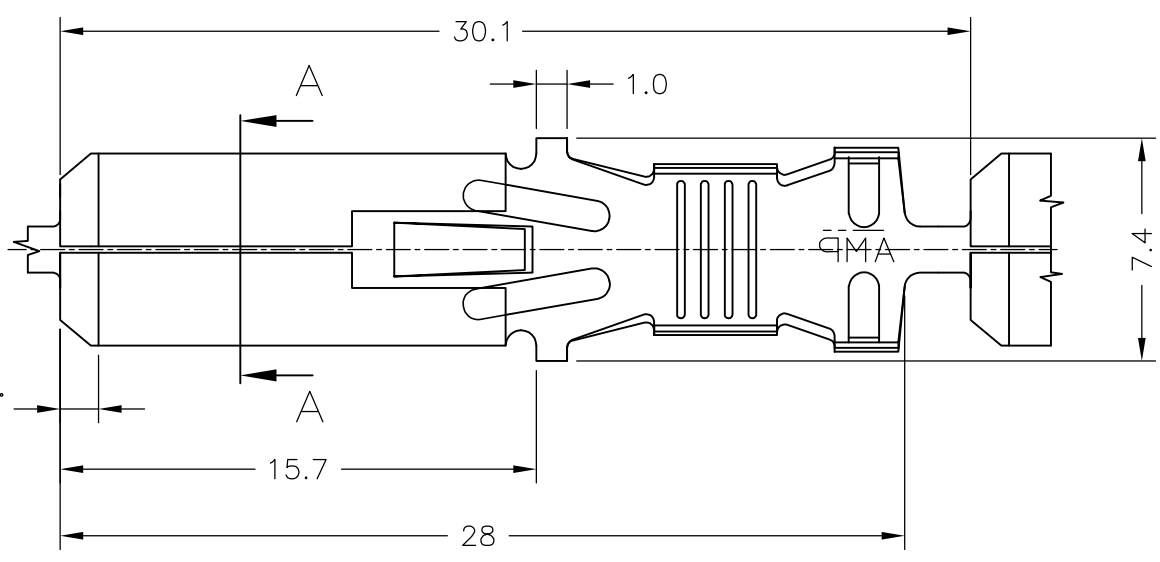
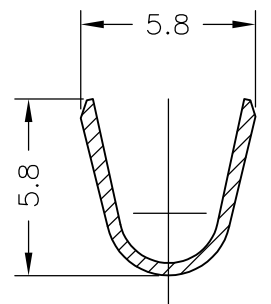
SECT. C-C



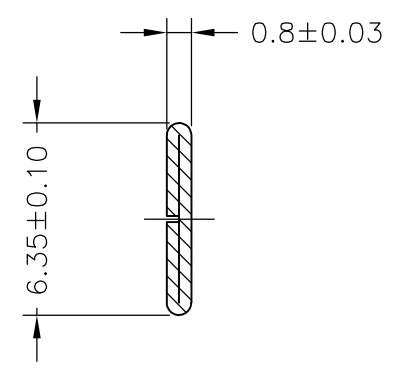
NERVATURA DI RINFORZO OPT.  
RIB FOR REINFORCE OPT.



SECT. B-B



SECT. A-A



SENSO DI USCITA DALLA BOBINA  
REEL OUT DIRECTION

- 1 NON DISPONIBILE DALL TE ITALIA  
[NOT AVAILABLE FROM TE ITALY]
- 2 BOBINATO SU BOBINA 13"  
CON CARTA INTERPOSTA TRA LE SPIRE  
[REELED ON 13" CARTON REEL  
WITH INTERLAYER PAPER STRIP]
- 3 BOBINATO SU BOBINA 10 1/2"  
CON CARTA INTERPOSTA TRA LE SPIRE  
[REELED ON 10 1/2" CARTON REEL  
WITH INTERLAYER PAPER STRIP]
- 4 BOBINATO SU BOBINA 12"  
CON CARTA INTERPOSTA TRA LE SPIRE  
[REELED ON 12" CARTON REEL  
WITH INTERLAYER PAPER STRIP]
- 5 OBSOLETE PARTS: OBSOLETE CIS STREAMLINING PER  
D.RENAUD/D.SINISI

5	OBSOLETE	—	OTTONE/ BRASS	1-180352-9	3
5	OBSOLETE	1-180352-2	OT.STAG./ BRASS TINNED	1-180352-8	1 3
5	OBSOLETE	1-180409-7	OT.PRE-ST./ BR.PRE-TIN	1-180352-7	1 3
5	OBSOLETE	1-180409-6	OT.ARGENT/ BR. SILVERED	1-180352-6	1 3
5	OBSOLETE	1-180409-5	BR.FOSF.ST/ PH.BR TINNED	1-180352-5	1 3
5	OBSOLETE	1-180409-4	BR.FOSF.ARG./ PH.BR. SILVER	1-180352-4	1 3
5	OBSOLETE	1-180409-3	BRONZO FOSF./ PHOS. BR	1-180352-3	1 3
5	OBSOLETE	1-180409-2	OT.STAG./ BR.TINNED	1-180352-2	1 3
5	OBSOLETE	1-180409-1	OTTONE/ BRASS	1-180352-1	1 3
5	OBSOLETE	180409-6	OT.ARGENT. / BR.SILVERED	180352-9	1 2
5	OBSOLETE	180409-2	OT. STAG. / BR.TINNED	180352-8	1 2
5	OBSOLETE	180409-7	OT.PRE-ST / BR. PRE-TIN	180352-7	1 3
		180409-6	OT.ARGENT/ BR. SILVERED	180352-6	4
		180409-5	BR.FOSF.ST/PH.BR.TINNED	180352-5	
		180409-4	BR.FOSF.ARG./PH.BR.SILVER	180352-4	
		180409-3	BRONZO FOSF./ PHOS.BR	180352-3	
		180409-2	OTT. PRE-STAG/BR.PRE-TIN	180352-2	4
		180409-1	OTTONE / BRASS	180352-1	4
		LOOSE PIECE NO.	MATERIALE / FINITURA MATERIAL / FINISH	NUMERO /PART NO.	

THIS DRAWING IS A CONTROLLED DOCUMENT.

DWN P.VERGANO 12-09-91  
CHK -



DIMENSIONS:	TOLERANCES UNLESS OTHERWISE SPECIFIED:
mm	
0 PLC	± -
1 PLC	± 0.3
2 PLC	± -
3 PLC	± -
4 PLC	± -
ANGLES	± 2'

APVD -  
PRODUCT SPEC 108-20020  
APPLICATION SPEC 114-2025  
WEIGHT

NAME  
FASTIN-ON TAB .250 SRS  
SIZE A3 CAGE CODE 00779 DRAWING NO C-180352 RESTRICTED TO -

RANGO FILO (WIRE RANGE) 4-6 mm<sup>2</sup>  
DIAM. ISOLANTE (INS. DIA. RANGE) 3.4-5.1

MATERIAL - FINISH SEE TABLE

CUSTOMER DRAWING SCALE 4:1 SHEET 1 OF 1 REV AM7