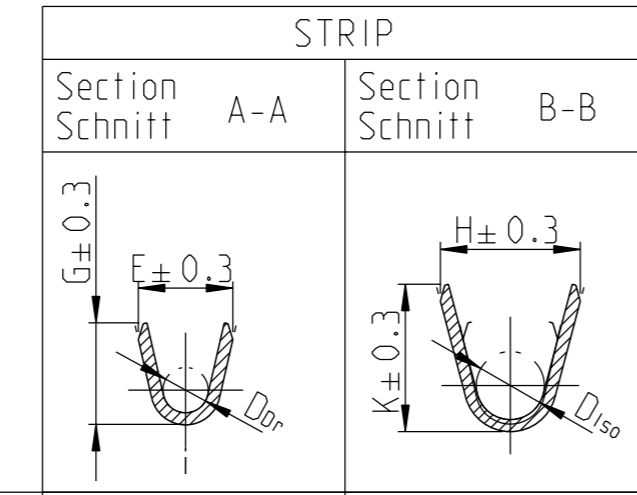
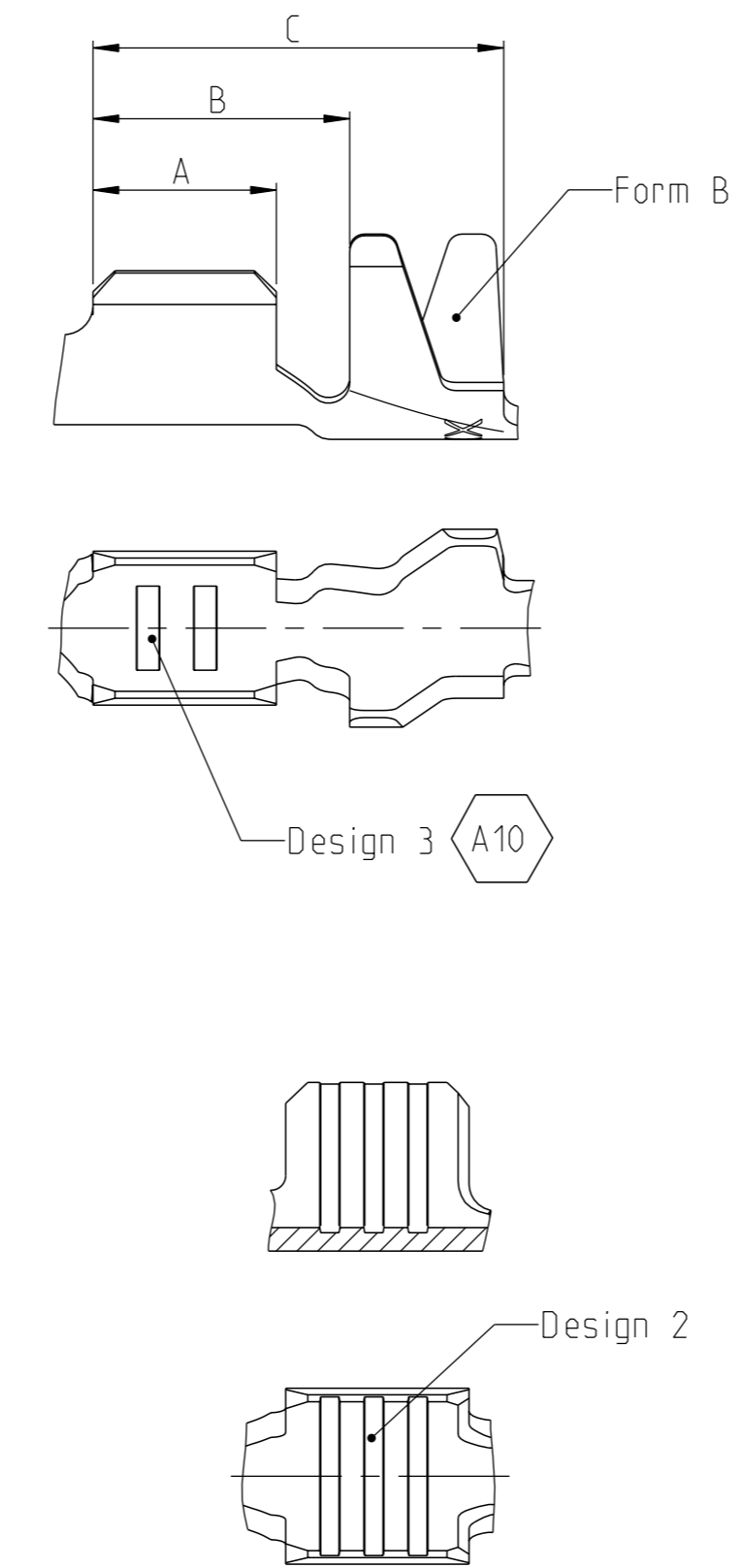
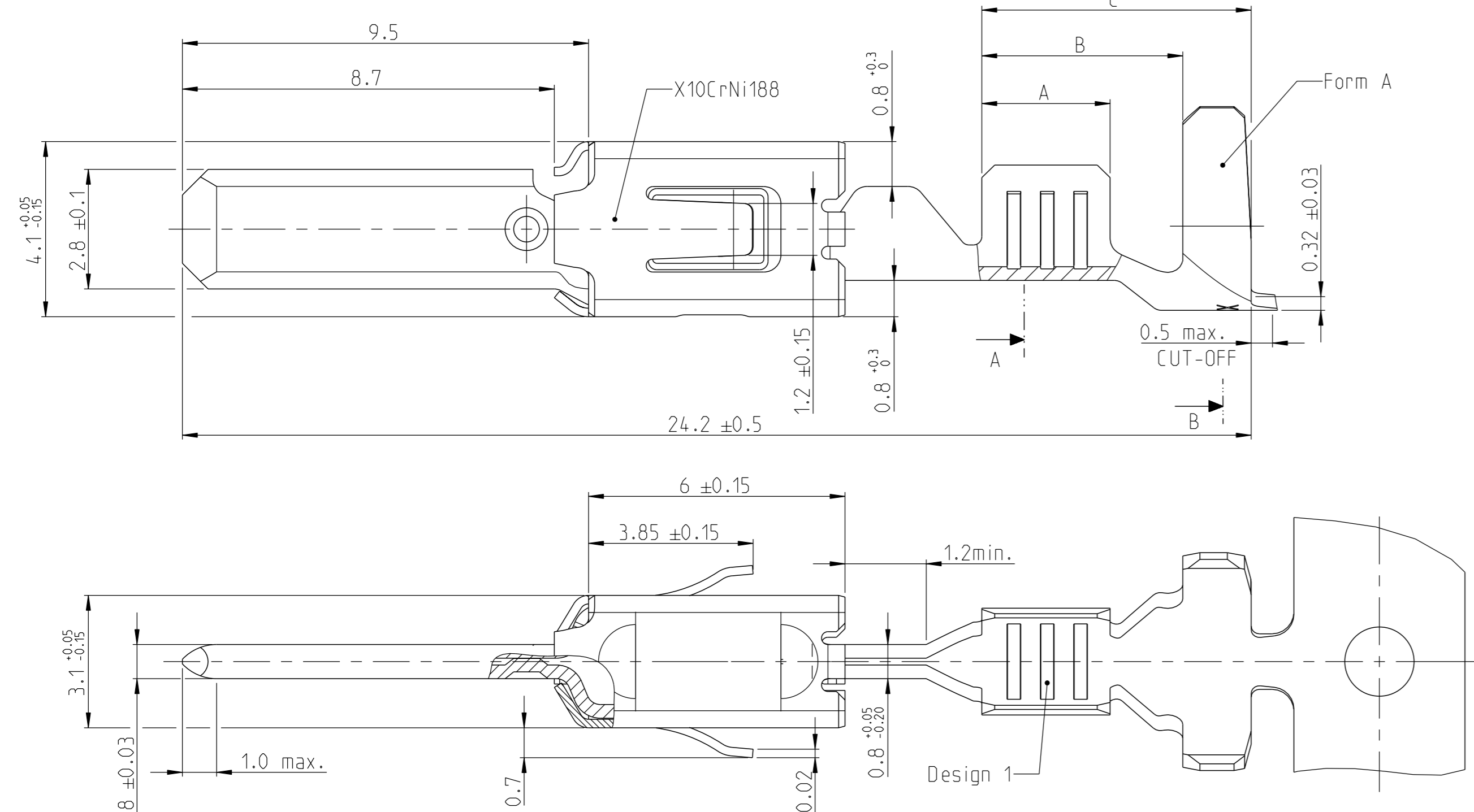


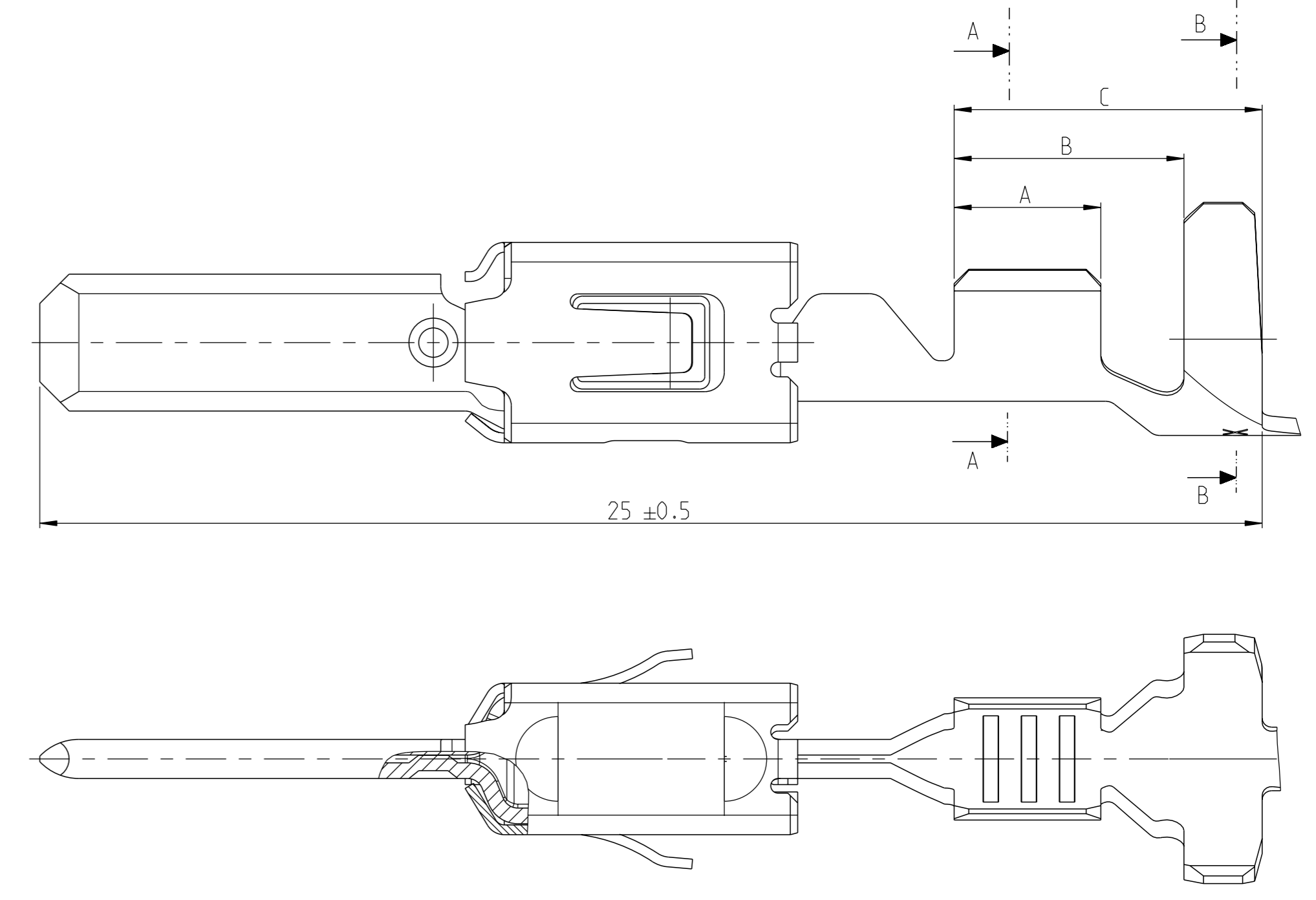
CONTACTS FOR FLR-CABLE Kontakte fuer FLR-Leitung



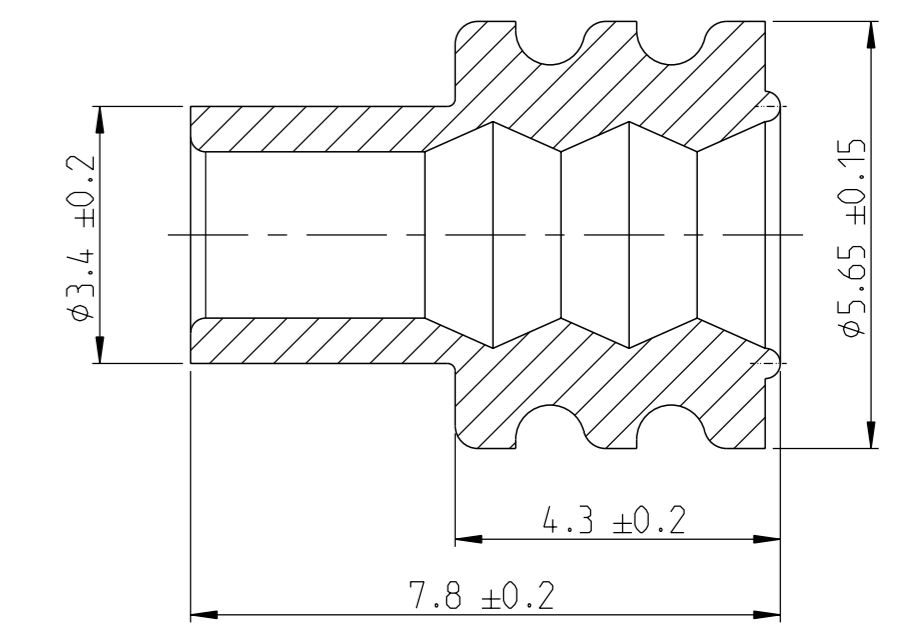
Order No. BESTELL - Nr. Strip BANDWARE	Rev.	Design Serrations	Wire Range Drahtgroessen Bereich (mm ²)	Insulation φ Isolations φ (mm)	Material Werkstoff	Surface Oberflaeche	Crimp Dimension Crimpabmessungen (mm)			Single wire sealing system EDS	
							Lenght Laenge	Wire crimp Drahtcrimp	Insul.crimp Iso crimp		
2-964302-2	A	1	>1.0-2.5	2.2-3.0	CuFe 2	vorverzinnt	A = 3.5 B = 5.2 C = 6.8	E = 3.6 G = 3.8 D _{OR} = 1.8	H = 5.3 K = 5.0 D _{ISO} = 3.5	Single wire sealing system EDS	
2-964302-1	C										
1-964302-3	C										
4-964300-1	A	1	0.5-1.0	1.4-2.7	CuNi18Zn20	vorverzinnt	A = 3.0 B = 4.7 C = 6.3	E = 2.5 G = 2.7 D _{OR} = 1.2	H = 5.1 K = 4.8 D _{ISO} = 3.3	Single wire sealing system EDS	
2-964300-2	A										
2-964300-1	C										
1-964300-3	C				CuSn 4						
2-2141876-2	A	2	0.35	3.4	CuFe 2	vorverzinnt	A = 2.5 B = 4.7 C = 6.3	E = 2.4 G = 2.3 D _{OR} = 1.0	H = 4.7 K = 4.5 D _{ISO} = 3.2	Single wire sealing system EDS	
2-2141876-1	A										
1-2141876-3	A										
2-964298-1	C	3 (A10)	0.2-0.5	1.2-2.3	CuFe 2	vorverzinnt	A = 2.5 B = 4.7 C = 6.3	E = 2.1 G = 2.1 D _{OR} = 0.8	H = 4.7 K = 4.5 D _{ISO} = 3.2	Single wire sealing system EDS	
1-964298-3	C										
2-964296-2	B	1	>1.0-2.5	2.2-3.0	CuFe 2	vorverzinnt	A = 3.3 B = 4.3 C = 5.8	E = 3.6 G = 3.8 D _{OR} = 1.8	H = 4.7 K = 4.9 D _{ISO} = 2.6	Single wire sealing system EDS	
2-964296-1	C										
1-964296-3	C										
2-964294-2	A	1	0.5-1.0	1.4-2.1	CuFe 2	vorverzinnt	A = 3.0 B = 4.0 C = 5.5	E = 2.5 G = 2.7 D _{OR} = 1.2	H = 3.7 K = 3.9 D _{ISO} = 1.8	Single wire sealing system EDS	
2-964294-1	B										
1-964294-3	B										
2-2141874-1	A	2	0.35	1.15-1.6	CuFe 2	vorverzinnt	A = 2.5 B = 3.5 C = 5.6	E = 2.4 G = 2.3 D _{OR} = 1.0	H = 2.7 K = 2.8 D _{ISO} = 1.4	Single wire sealing system EDS	
1-2141874-3	A										
2-964292-1	B	3 (A10)	0.2-0.5	1.15-1.6	CuFe 2	vorverzinnt	A = 2.5 B = 3.5 C = 5.6	E = 2.1 G = 2.1 D _{OR} = 0.8	H = 2.7 K = 2.8 D _{ISO} = 1.4	Single wire sealing system EDS	
1-964292-3	B										
Order No. BESTELL - Nr. Strip BANDWARE	Rev.	Design Serrations	Wire Range Drahtgroessen Bereich (mm ²)	Insulation φ Isolations φ (mm)	Material Werkstoff	Surface Oberflaeche	Lenght Laenge	Wire crimp Drahtcrimp	Insul.crimp Iso crimp	Crimp Dimension Crimpabmessungen (mm)	

Contacts for
Single Wire Sealing System: FLR-and FLK-Cable
Kontakt fuer Einzel-Dichtung-System: FLR und FLK-Leitung
Dimensions see Figure Contacts for FLR - Cable
Masse siehe Darstellung der Kontakte fuer FLR-Leitung

REVISIONS				
#	LT#	DESCRIPTION	DATE	APP'D
A7		PNs and design 2 added	21DEC2011	J. Krause
A8		PNs added	06NOV2013	J. Krause, M. Merz
A9		ECR-15-012070	13AUG2015	JB, JH BK
A10		Clarification of Serrations amount for PN 964292 and PN 964298.	25MAR2020	FRAN MERZ



SINGLE WIRE SEAL Einzel-Dichtung		
963292-1	2.7-3.0	yellow gelb
963293-1	2.0-2.7	redbrown rotbraun
963294-1	1.2-2.1	blue blau
ORDER NO. Bestell-Nr.	Insulation φ Isolations φ	Colour Farbe



- NOTES
Bemerkungen:
- △ BODY ELECTRO TIN PLATED OVER NICKEL 0.2 μm MIN.
CONTACT AREA SELECTIVE GOLD OVER NICKEL 0.8 μm MIN.
WIRE CRIMP AREA ELECTRO TIN PLATED 1 μm MIN. OVER NICKEL
Kontaktkoerper gal. verzinnt ueber Nickel 0.2 μm min.
Kontaktzone selectiv vergoldet ueber Nickel 0.8 μm min.
Drahtcrimpbereich gal. verzinnt 1 μm min. ueber Nickel
 - △ ACCORDING INSULATION φ IS TO CHOOSE THE SINGLE WIRE SEAL
Entsprechend dem Isolationsdurchmesser ist die Einzel-Dichtung auszuwaehlen
 - △ CONTACT AREA MIN. 3 μm PRE-SILVER PLATED
Kontaktzone min. 3 μm vorversilbert

THIS DRAWING IS A CONTROLLED DOCUMENT. DIESE ZEICHNUNG IST EIN KONTROLLIERTES DOKUMENT		OWN Abraham, G.	05NOV2001	TE Connectivity
DIMENSIONS: MASSE/EINHEITEN: mm		CHK Meierhofer, T.	05NOV2001	
TOLERANCES UNLESS OTHERWISE SPECIFIED: ALLGEMEINTOLERANZEN		APVD Bleichner, M.	05NOV2001	NAME 108-18063 PRODUCT SPEC
0 PLC ±0.2 mm 1 PLC ± 2 PLC ± 3 PLC ± 4 PLC ±		PRODUCT SPEC	APPLICATION SPEC	
MATERIAL		FINISH/OBERFLAECHEN/FARBE	WEIGHT	SIZE 114-18051
CAGE CODE DRAWING NO		SCALE	SHEET	RESTRICTED TO
A 00779		©=1355364	1 of 1	REV A10
CUSTOMER DRAWING / KUNDENZEICHNUNG		SCALE	10:1	