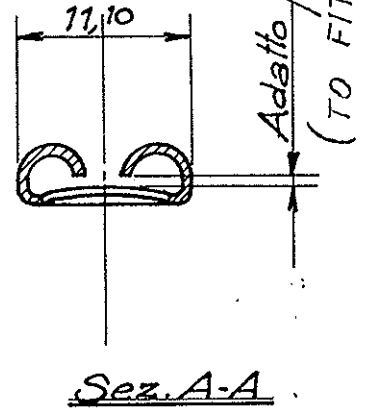
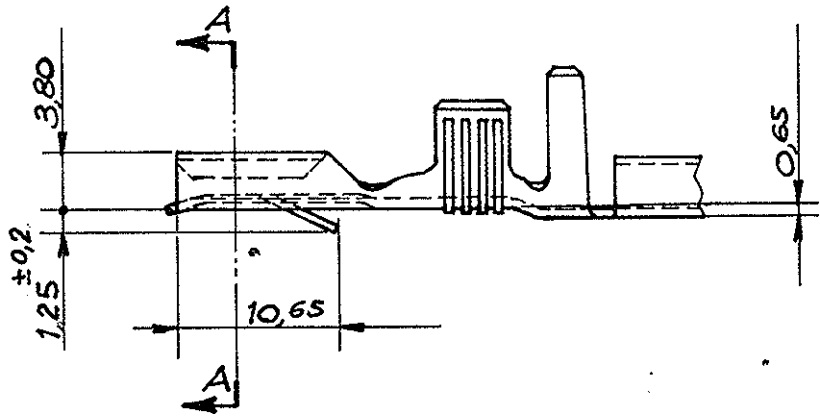
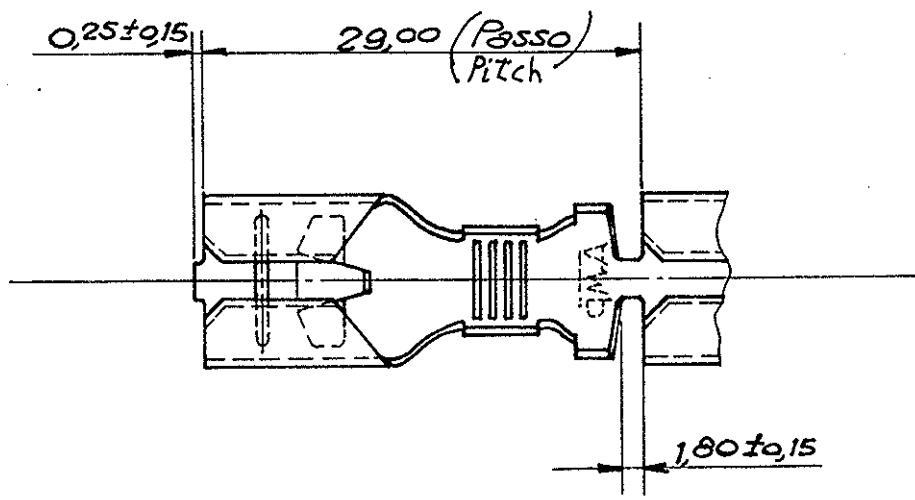


280756



1 OBSOLETE

PROIEZIONE AMERICANA

DIMENSIONS IN MM. DO NOT SCALE PRINT

L3	ECR-10-022530	KK	HMR	08FEB11	© 1976 BY TE INCORPORATED. ALL RIGHTS RESERVED. TE PRODUCTS COVERED BY PATENTS AND OR PATENTS PENDING.		CUSTOMER COPY REFERENCE ONLY		
L2	STARTEC UPDATING		H.Y.		MATERIAL AND FINISH		TE Connectivity		
L1	REVISED ETOD-0225-99		R.M.	4-5 2000	1  1 OTTONE ---/2 OTTONE STAGNATO				
B	DIM. 1,25±0,2 WAS 1,40			16/11/82	1  3 BRONZO FOSFOROSO ---/4 BRONZO FOSF. STAGNATO		CLASS		
A	IN PRODUZIONE			29- DIC.76	WIRE RANGE INSULATION 3÷6 mm <sup>2</sup>   φ 3,4÷5,1mm		TYPE		
1	P/N ERA IA-76-5207			20/7/76	TOLERANCE EXCEPT AS NOTED ±0,3 · 1° 0'		SCALE 2:1		
LTR	REVISION RECORD	DR	CHK	DATE	LOC		NO		
DR	Gopper JULY 1976	DE			I		A		
CHK		APV		29/20/76	NAME		280756		
					.375 SERIES FASTIN-FASTON RECEPTACLE				
					REV. L3				