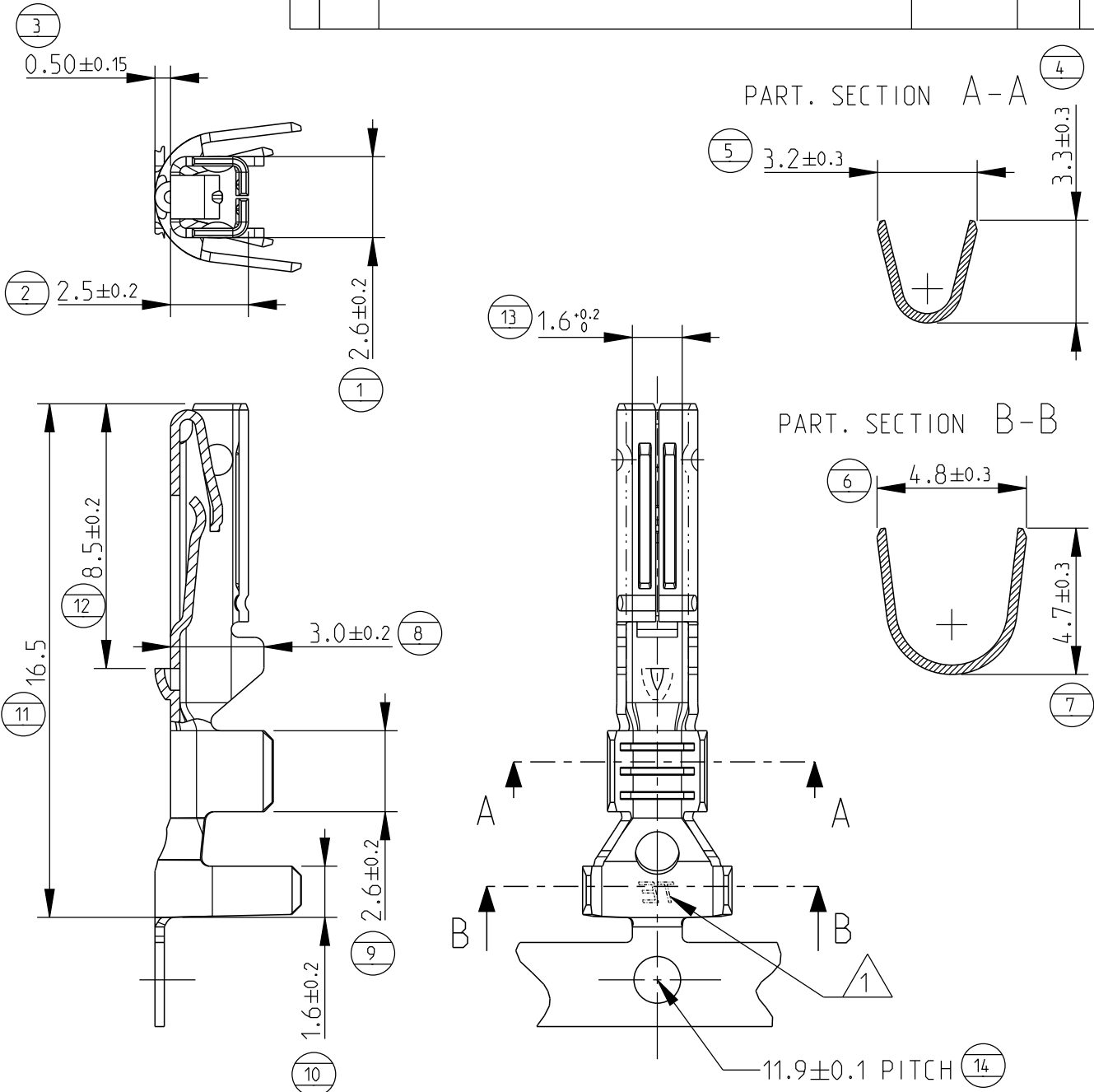



REVISIONS					
P	LTR	DESCRIPTION	DATE	DWN	APVD
	D2	REVISED PER ECR-15-001967	11FEB2015	M.G.	M.G.



- 1 "TE" LOGO OR, IN ALTERNATIVE, "AMP" LOGO
- 2) SUITABLE FOR SINGLE WIRE SEAL P/N 281934-...
- 3) WIRE SIZE RANGE: 0.75-1.5mm2

P/N 282110-1 AS SHOWN

THIS DRAWING IS UNPUBLISHED. BY - ALL RIGHTS RESERVED. 20
 RELEASED FOR PUBLICATION
 © COPYRIGHT 20

DIMENSIONS: mm	DWN Bassano 09Nov90	MATERIAL	PH. BRONZE	FINISH	PRE-TIN
	CHK Bertini 09Nov90	 TE Connectivity			
TOLERANCES UNLESS OTHERWISE SPECIFIED:	APVD -				
0 PLC ±	PRODUCT SPEC	SIZE	CAGE CODE	DRAWING NO	RESTRICTED TO
1 PLC ±0.3	108-20090	A 4	00779	©=282110	-
2 PLC ±	APPLICATION SPEC	Customer Drawing			SCALE
3 PLC ±	114-20045	5:1			SHEET
4 PLC ±	WEIGHT 0.35gr	1 OF 1			REV
ANGLES ±2°		D2			