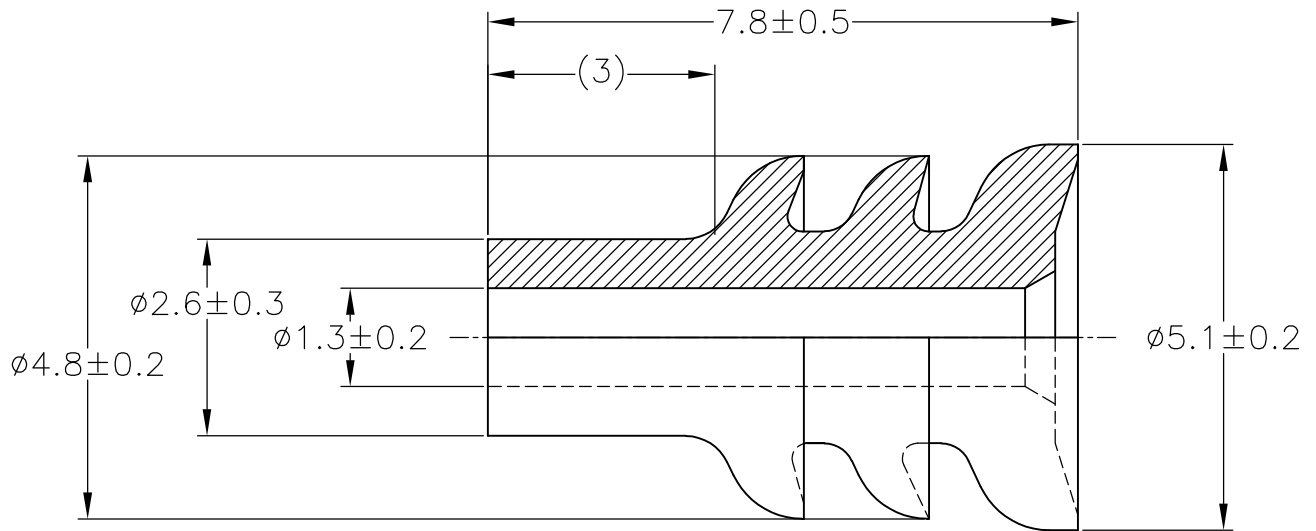


LOC J	DIST —	REVISIONS			
P	LTR	DESCRIPTION	DATE	DWN	APVD
	A	RELEASED	06AUG14	DM	TK



- ① オイル塗布タイプ
- ② 推奨工程：自動機械
- ③ 推奨工程：手動
- ④ 材料；NBRフタル酸フリー

- ① OIL COATED TYPE
- ② RECOMMENDED PROCESS : AUTOMATIC MACHINE
- ③ RECOMMENDED PROCESS : MANUAL
- ④ MATERIAL ; NBR NON-BIS TYPE

②	NBR ④	BLACK	2822352-2
③	NBR ①④	BLACK	2822352-1
	MATERIAL	COLOR	PART NUMBER

WIRE RANGE 0.2~0.5 (AV, AVS) mm ² (AWG#24-#20)	INSULATION DIA. φ1.4~φ2.4 mm
---	---------------------------------

THIS DRAWING IS UNPUBLISHED.

ALL RIGHTS RESERVED.

COPYRIGHT - By Tyco Electronics Japan C.K.

DIMENSIONS: mm	DWN D.MATSUURA 06AUG2014	MATERIAL SEE TABLE	FINISH —
	CHK S.IWATANI 06AUG2014	TE Connectivity	
TOLERANCES UNLESS OTHERWISE SPECIFIED: 0 PLC ± - 1 PLC ± - 2 PLC ± - 3 PLC ± - 4 PLC ± - ANGLES ± -	APVD T.KOHNO 06AUG2014		
	PRODUCT SPEC 108-5262	SIZE A4	CAGE CODE 00779
APPLICATION SPEC —	WEIGHT 0.1 g	RESTRICTED TO —	
CUSTOMER DRAWING		SCALE 10:1	SHEET 1 OF 1
		REV A	