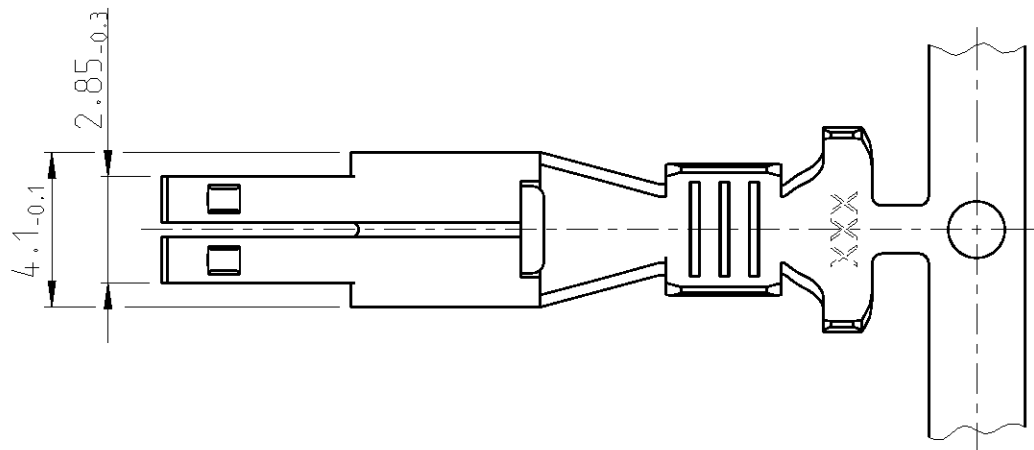
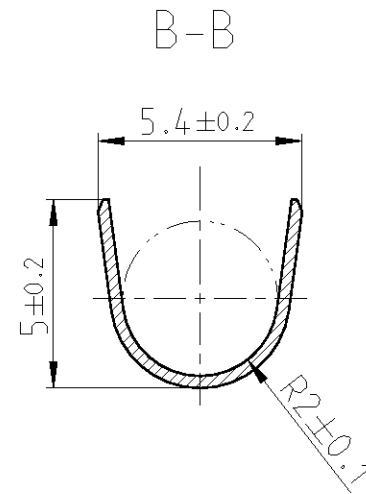
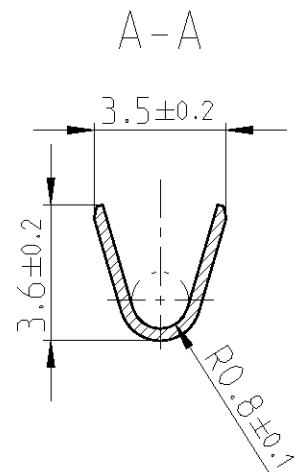
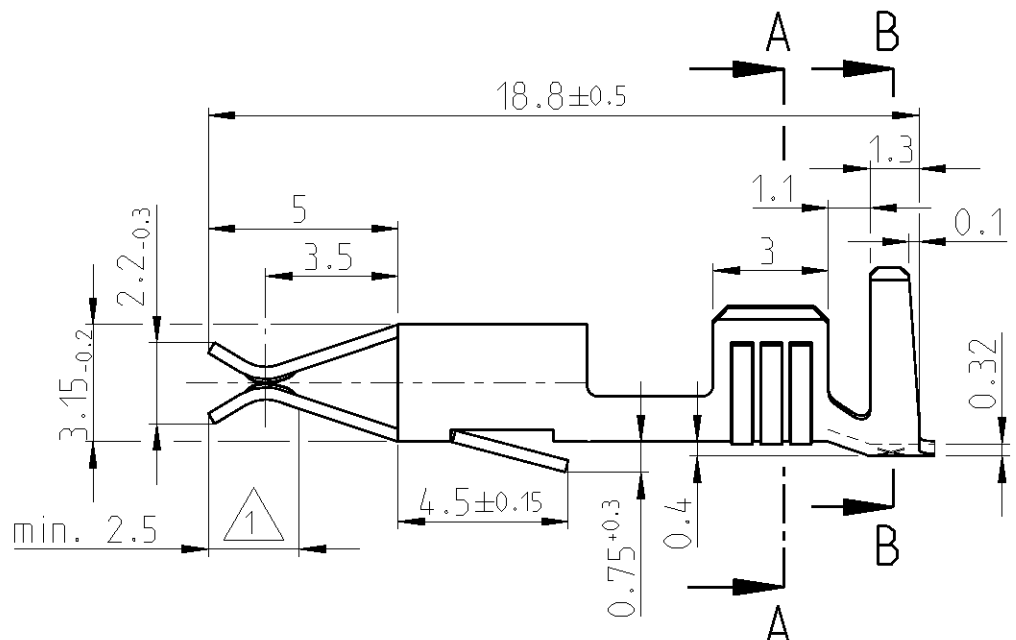


THIS DRAWING IS UNPUBLISHED. RELEASED FOR PUBLICATION 2013
 © COPYRIGHT 2013 Tyco Electronics AMP GmbH ALL RIGHTS RESERVED.

LOC	DIST	REVISIONS			
P	LTR	DESCRIPTION	DATE	DWN	APVD
AI	-	R1	Zeichnung neu erstellt	15DEC1998	M.P. M.B.
		R2	New CAD drawing created.	21JUN2013	Kirs. Eder



CONDUCTOR CROSS-SECTION IN mm ² Leitungsquerschnitt in mm ²		SINGLE CONNECTION Einzelanschlag								
		0.50	0.75	1.00	1.50	2.00	2.50	3.00	4.00	6.00
0.50		X	X	X						
0.75		X	X							
1.00	X	X								
1.50	X									
2.00										
2.50	X									
3.00										
4.00										
6.00										

WIRE SIZE RANGE: 1.0-2.5mm²
 Drahtgrößenbereich: 1.0-2.5mm²

INSULATION RANGE: 2.4-3.7mm
 Isolationsbereich: 2.4-3.7mm

CRIMPING CONDUCTOR: FLK-WIRE
 CONDUCTOR: F-CRIMP
 INSULATION: F-CRIMP

angeschlagener Leiter: FLK-Leitung
 Leiter: F-Crimp
 Isolation: F-Crimp

925597-6	PRE TIN	Elmedur-x	925595-6	R
925597-5	SELECTIVE GOLD $\triangle 1$	CuSn4	925595-5	R
925597-4	PRE TIN	CuZn30	925595-4	R
925597-3	SELECTIVE SILVER $\triangle 1$	CuSn4	925595-3	R
925597-2	PRE TIN	CuSn4	925595-2	R
925597-1	PRE TIN	CuZn30	925595-1	R
LOOSE PIECE	FINISH	MATERIAL	STRIP PART	REV

THIS DRAWING IS A CONTROLLED DOCUMENT.		DWN M.Pfeilschiffer 15DEC1998	TE Connectivity	
		CHK M.Bleicher 08JAN1999		
DIMENSIONS: mm		APVD -	NAME JUNIOR-TIMER CONTACT Junior-Timer Kontakt	
TOLERANCES UNLESS OTHERWISE SPECIFIED:		PRODUCT SPEC 108-18053	RESTRICTED TO	
0 PLC ±0.2		APPLICATION SPEC 114-18079	SIZE A3	CAGE CODE 00779
1 PLC ± ISO 8015		WEIGHT -	DRAWING NO C=925595	SCALE 5:1
2 PLC ± ISO 2768-mH-E		CUSTOMER DRAWING	SHEET 1	OF 1
3 PLC ± DIN 16901-140			REV R2	
4 PLC ±				
ANGLES ±2°				
MATERIAL -				
FINISH -				

Mouser Electronics

Authorized Distributor

Click to View Pricing, Inventory, Delivery & Lifecycle Information:

[TE Connectivity:](#)

[925595-1](#) [925595-2](#) [925595-1 \(Loose Piece\)](#)