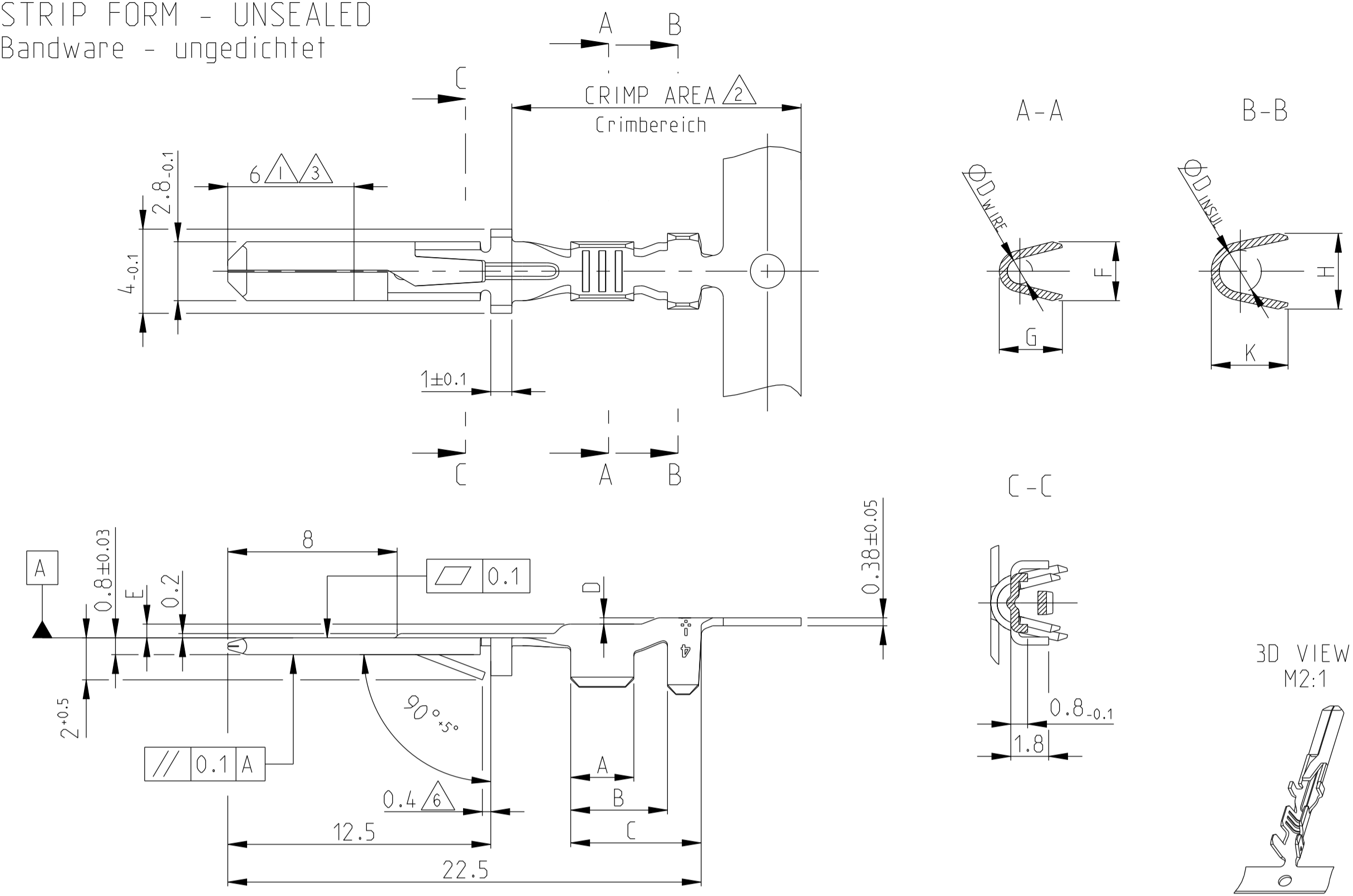
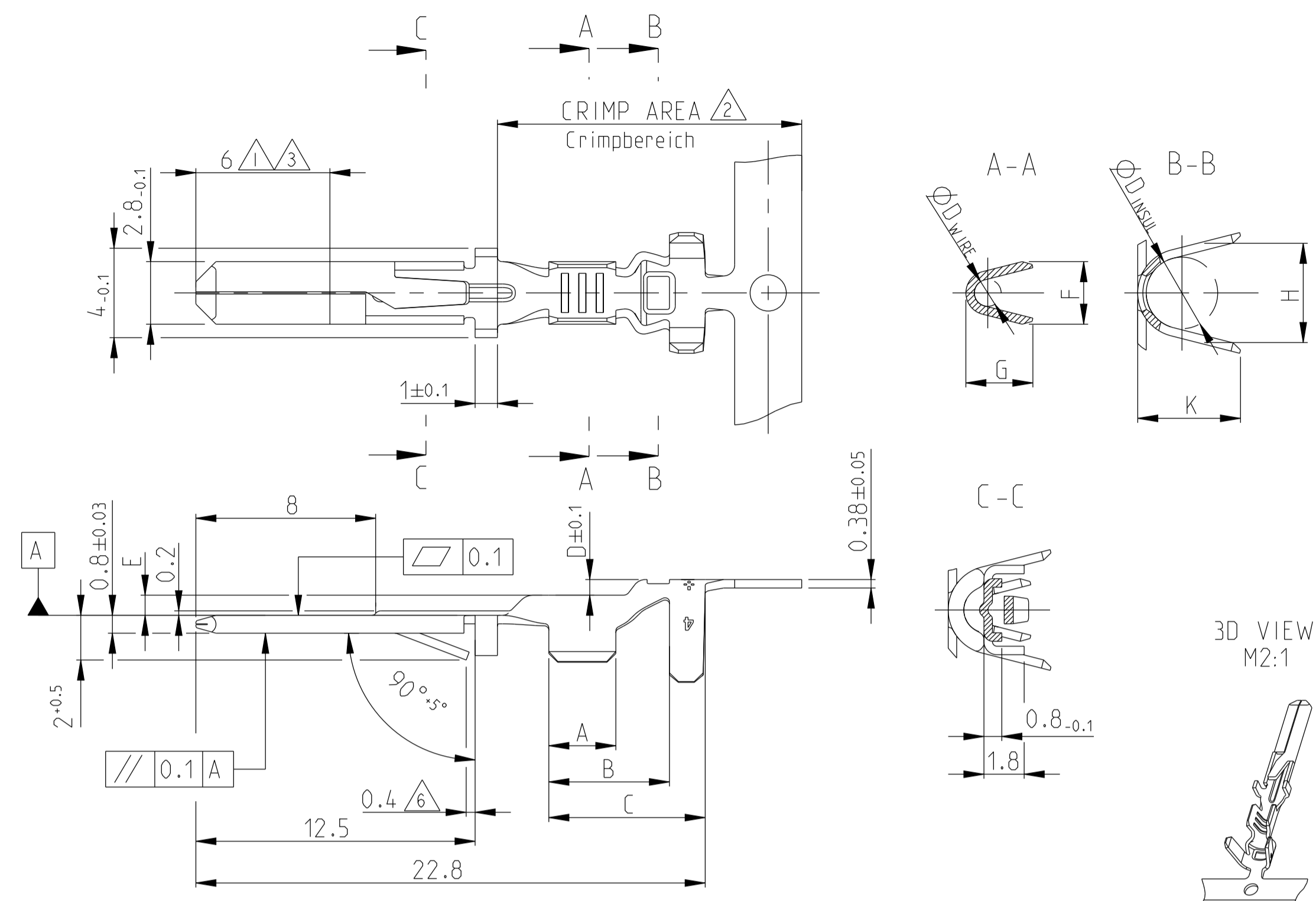


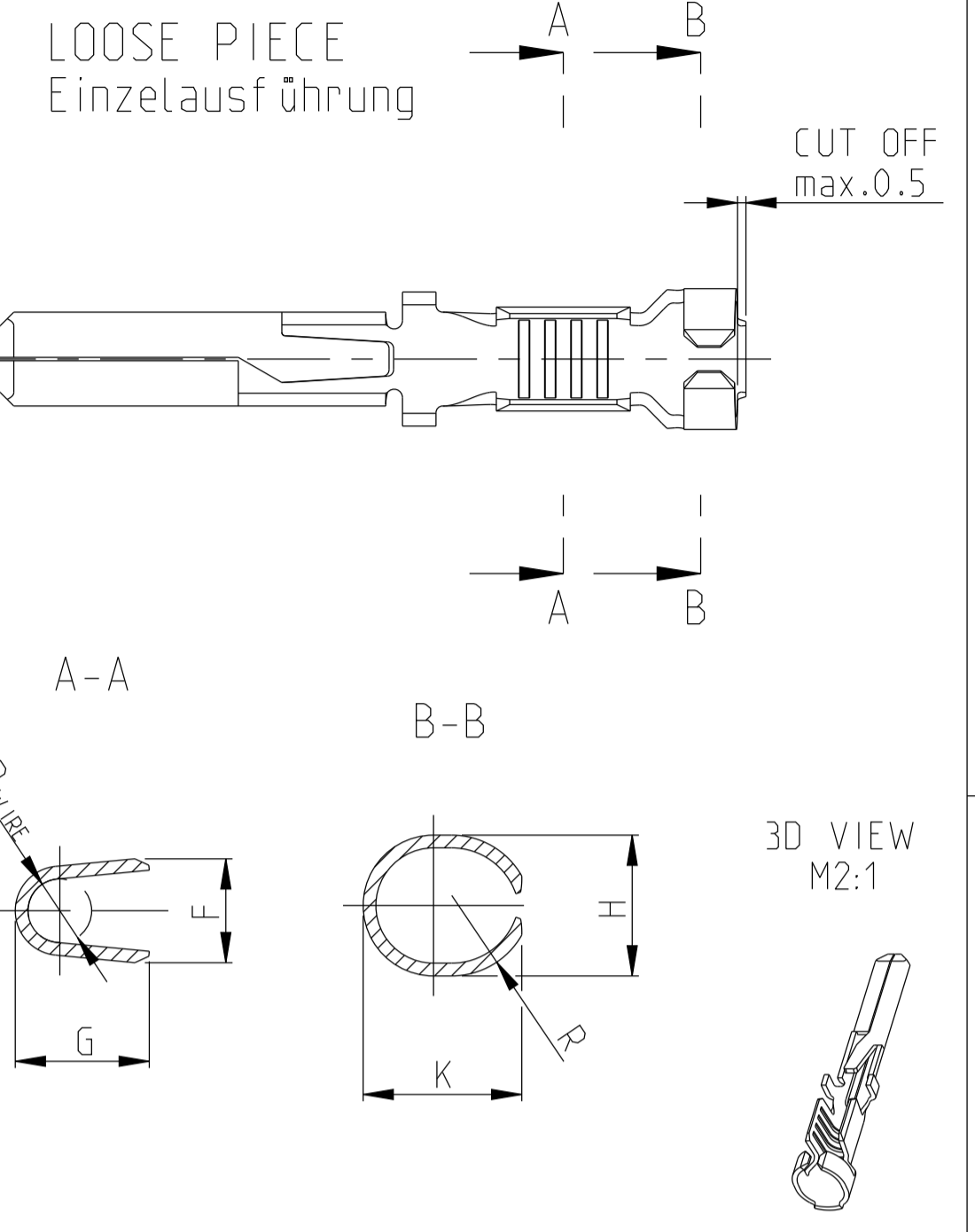
STRIP FORM - UNSEALED
Bandware - ungedichtet



STRIP FORM - SINGLE WIRE SEAL
Bandware - Einzel-Dichtung System



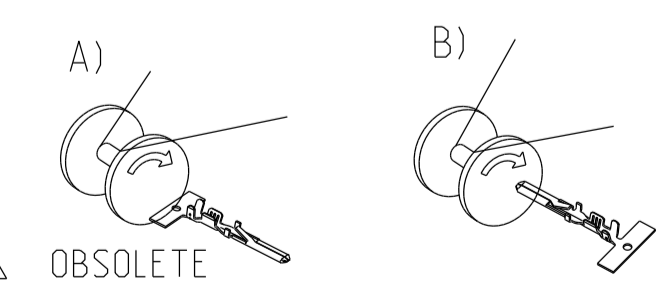
REVISIONS				
#	LTN	DESCRIPTION	DATE	OWN APVD
A6		REVISED PER ECR-20-008867	08JUL2020	BH E.W
A7		REVISED PER ECR-20-013815	22OCT2020	MK E.W
A8		REVISED PER ECR-21-100862	11MAR2021	SS E.W



SINGLE WIRE SEAL/ Einzel-Dichtung	N/A	N/A	4.3	4.8	2.8	4.0	3.1	1.7	4.6	5.6	3.6	4.0	3.8	1.7	0.85	0.95	7.5	5.9	3.5	B	Ø3.4	1.0 - 2.5 FLR	PRETINNED min.1µm		SEL. GOLD PLATED 1/2		PLAIN	
																							CuSn4	8 0-965975-5	J	8 0-929949-5	CuZn30	8 0-965975-4
N/A	N/A	4.3	4.8	2.8	3.0	2.2	1.2	4.6	5.4	3.2	3.0	2.8	1.2	0.9	0.7	7.0	5.4	3.0	B	Ø3.4	0.5 - 1.0 FLR	PRETINNED min.1µm		SEL. GOLD PLATED 1/2		PLAIN		
																						CuSn4	8 0-965974-7	A	8 0-929948-7	CuSn4	8 0-965974-6	A
N/A	N/A	2.5	2.5	1.4	2.2	2.0	0.8	2.8	2.8	1.4	2.2	2.2	0.8	0.65	0.2	5.7	4.1	2.5	B	Ø1.15 - 1.6	0.2 - 0.5 FLR	PRETINNED min.1µm		SEL. GOLD PLATED 1/2		PLAIN		
																						CuSn4	8 0-963962-5	D	8 0-963961-5	CuZn30	8 0-963962-4	D
539635-1 WITH DIE SET: mit Matrize: 539743-2	878416-0	3.7	3.1	(1.8)	3.0	2.2	1.2	4.1	3.9	1.8	3.0	2.8	1.2	0.65	0.2	6.2	4.6	3.0	B	Ø1.4 - 2.3	0.5 - 1.0 FLR	PRETINNED min.1µm		SEL. GOLD PLATED 1/2		PLAIN		
																						CuSn4	0-928931-5	P	0-928930-5	CuZn30	0-928931-4	P
169400 WITH DIE SET: mit Matrize: 734262 - 0	878402-0	4.4	3.8	2.3	4.0	3.1	1.8	4.9	4.7	2.6	4.0	3.8	1.8	1.15	0.3	7.2	5.6	4.0	B	Ø1.8 - 2.9	1.0 - 2.5 FLR	PRETINNED min.1µm		SEL. GOLD PLATED 1/2		PLAIN		
																						CuSn4	0-928794-5	R	0-928781-5	CuZn30	8 0-928794-4	R
N/A	878227-0	4.8	4.2	2.4	4.0	3.1	1.9	5.3	4.8	3.1	4.0	3.8	1.9	1.15	0.4	7.2	5.6	4.0	B	Ø2.3 - 3.5 RB-Leitung	1.5 - 3 FLR	PRETINNED min.1µm		SEL. SILVER PLATED 3		PLAIN		
																						CuSn4	8 0-928924-5	R	8 0-927893-5	CuSn4	8 0-928924-4	R
N/A	N/A	3.3	3.1	(1.8)	3.0	2.2	1.2	3.65	3.6	2.0	3.0	2.8	1.2	0.65	0.3	6.2	4.6	3.0	B	Ø1.6 - 2.2 RB-Leitung	0.5 - 1.0 FLR	PRETINNED min.1µm		SEL. SILVER PLATED 3		PLAIN		
																						CuSn4	0-928923-5	S	0-927892-5	CuSn4	8 0-928923-4	S
N/A	N/A	3.3	3.1	(1.8)	3.0	2.2	1.2	3.65	3.6	2.0	3.0	2.8	1.2	0.65	0.3	6.2	4.6	3.0	B	Ø1.6 - 2.2 RB-Leitung	0.5 - 1.0 FLR	PRETINNED min.1µm		SEL. GOLD PLATED 1/2		PLAIN		
																						CuSn4	8 0-928923-2	S	8 0-927892-2	CuSn4	8 0-928923-1	S

NOTES:
Bemerkungen

- 1 CONTACT AREA min.0.75 µm Au OVER min.1.25 µm Ni
Kontaktbereich min.0.75 µm Au über min.1.25 µm Ni
- 2 CRIMP AREA 1-2 µm Sn OVER min.0.05 µm Ni
Crimpbereich 1-2 µm Sn über min.0.05 µm Ni
- 3 Min.3µm Ag IN LOCALIZED AREA. FLASH Ag ON REMAINDER.
BOTH OVER min.1.25 µm Ni
Min.3µm Ag im lokalisierte Bereich, Rest flashversilbert, beide über min.1.25 µm Ni
- 4 ALL VERSIONS SPLICE FREE EXCEPT OF 5
Alle Versionen Splice-free außer 5
- 5 SPLICE ACCORDING TO TYCO-SPEC. 118-10107 SPLICE ADDITIONAL MARK WITH RED SPLICE-STICKER ON THE INTERLEAVING PAPER AND ON THE REEL
Splice nach Tyco-Spec. 118-10107 zusätzlich Splice mit rotem Splice-Aufkleber auf dem Zwischenlagenpapier und auf dem Reel kennzeichnen
- 6 TO BE MEASURED BY DIMENSION 2 mm
Bei Ausstellung 2 mm
- 7 REELING TYPE
- 8 OBSOLETE
- 9 NUMBER OF SERRATIONS: 4 10 NUMBER OF SERRATIONS: 2



HAND TOOL Handzange	APPLICATOR Anschlag-WKZ	K H R G F D WIRE INSULATION BARREL Isolationsbereich	K H R G F D WIRE WIRE BARREL Drahtbereich	K H R G F D WIRE INSULATION BARREL Isolationsbereich	K H R G F D WIRE WIRE BARREL Drahtbereich	E D C B A	REELING	INSULATION RANGE Isolations- durchmesser	WIRE RANGE DGB [mm 2]	FINISH Oberfläche	MATERIAL	TYCO ORDER No. LOOSE PIECE Einzelaußführung	REV	TYCO ORDER No. STRIP FORM Bandware
		LOOSE PIECE Einzelaußführung				STRIP FORM Bandware								
CRIMP DIMENSIONS Crimpmaßen														

THIS DRAWING IS A CONTROLLED DOCUMENT.

DIMENSIONS: mm

TOLERANCES UNLESS OTHERWISE SPECIFIED:
ISO 2768 -H E

0 PLC ±0.2
1 PLC ±0.2
2 PLC ±0.2
3 PLC ±0.2
4 PLC ±0.2
ANGLES ±1.5°

MATERIAL: see table siehe Tabelle

OWN: T. Konectiv 21AUG2006
CHK: P.Hasek 60CT2006
APVD: R.Vlcek 90CT2006

NAME: PRODUCT GROUP DRAWING FOR 2.8 mm FASTIN-FASTON® TAB

SIZE: 116-18014
WEIGHT: -

CUSTOMER DRAWING

SCALE: 5:1 SHEET 1 OF 1 REV: A8