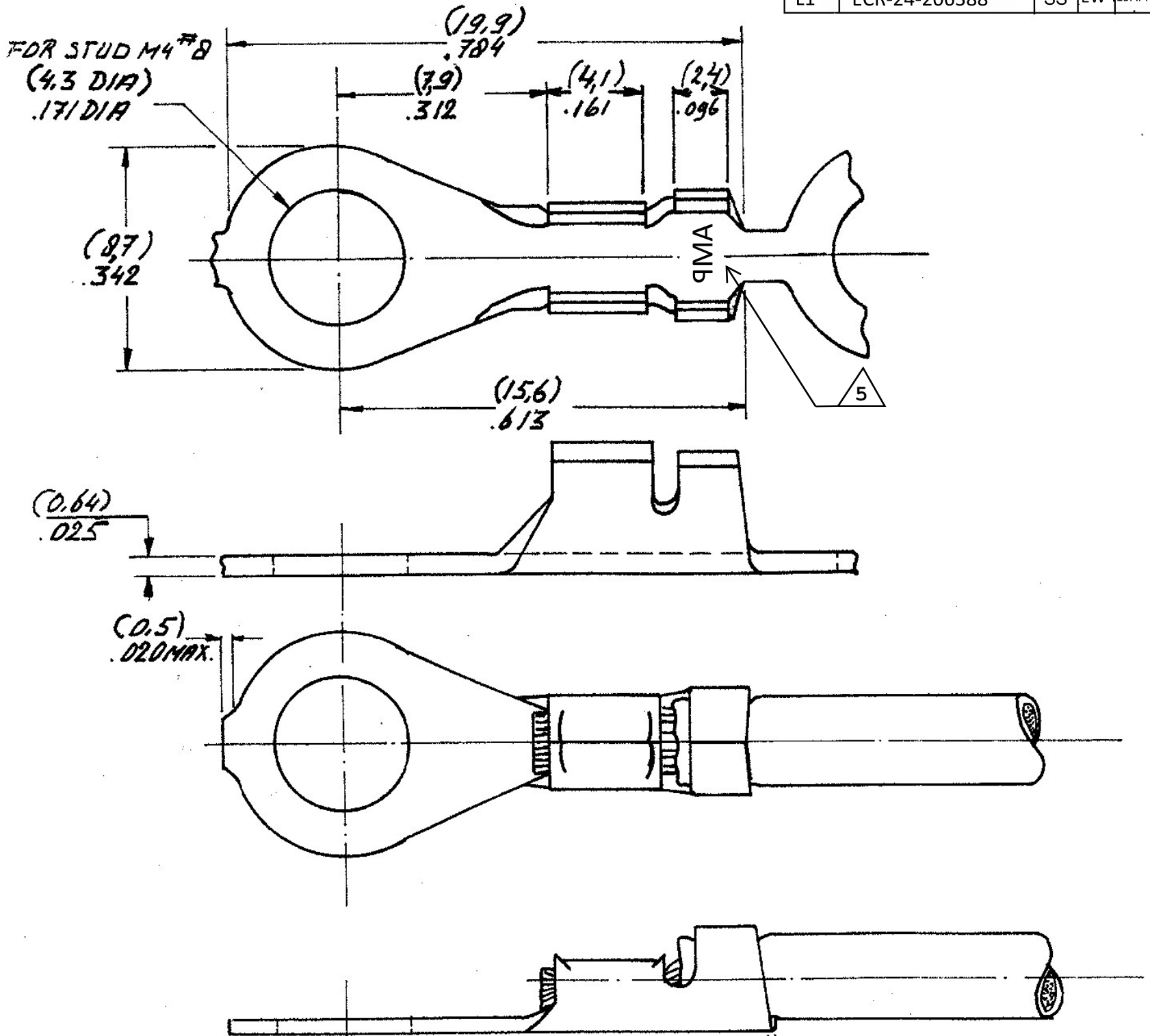


DRAWING MADE IN AMERICAN PROJECTION

LTR	REVISION RECORD	DWN	CHK	DATE
L1	ECR-24-206388	SS	EW	19APR2024

C-160101



- 5 AMP LOGO
- 4 OBSOLETE PARTS: OBSOLETE CIS STREAMLINING PER D.RENAUD/D.SINISI
- 1 FOR USE ON MINIATURE APPLICATORS (LEFT-RIGHT FEED) AMP. DISTRIBUTOR APPLICATION.
- 2 FOR USE ON STANDARD AND MINIATURE APPLICATORS.
- 3 REELED WITH PAPER COVER.

CUSTOMER COPY FOR REFERENCE ONLY



160101-9	1	STEEL	2	NICKEL PLATED
160101-8	2	PHOSPH. BRONZE	—	—
160101-7	2	BRASS	—	—
160101-6	4	STEEL	2	NICKEL PLATED
160101-4	4	BRASS	—	—
160101-3	4	PHOSPH. BRONZE	—	—
160101-2	1	BRASS	—	TIN PLATED
160101-1	2	BRASS	—	—

WIRE-RANGE 20-16 AWG 0.5-1.5 mm ²	INSUL-RANGE .080-.120 DIA (2.0-3.0)	FIRST USED
--	---	------------

ORDER NO.	MATERIAL	PLATING
DR L. SUSTEREN	25/DATE 11.80	DE DATE
CHK 1.80	29/DATE 11.80	APP DATE 29.1.80

SCALE N.T.S.	SIZE A	NO C-160101	REV L1
NAME RING TONGUE WITH INS. SUPPORT			

DIMENSIONS IN (MM) DO NOT SCALE PRINT