

MINIVAL[®]



GENERAL DESCRIPTION

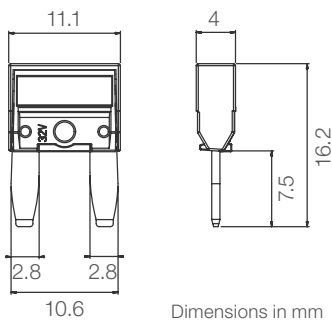
Breaking capacity	1000 A
Voltage rating	32 V
Ambient temp. + overheating	-40 °C to +125 °C
Body material	See table below
Cover material	PSU
Cover color	Transparent
Blade material	Zinc
Blade coating	Tin plated
Vibration class compliant with	ISO 16750-3 Test IV
Compliant with	ISO 8820-3 (type F) REACH, RoHS

RATINGS

Size [A]	Color coding	Body material	Expected voltage drop [mV]	ISO cable size [mm ²]	I ² t* [A ² s]	Average cold resistance** [mΩ]
2	Grey	PC	128	0.35	135	49
3	Violet	PC	122	0.35	115	29
4	Pink	PC	121	0.35	156	22
5	Light brown	PC	112	0.5	217	15
7.5	Brown	PC	110	0.75	256	10
10	Red	PC	106	1.0	387	7.2
15	Blue	PC	105	1.5	720	4.4
20	Yellow	PC	97	2.5	980	3.1
25	White	PSU	96	2.5	1344	2.3
30	Green	PSU	95	4.0	1692	1.8

*Calculated from breaking capacity test
**At ambient temperature = 23 ±1 °C

OVERALL DIMENSIONS



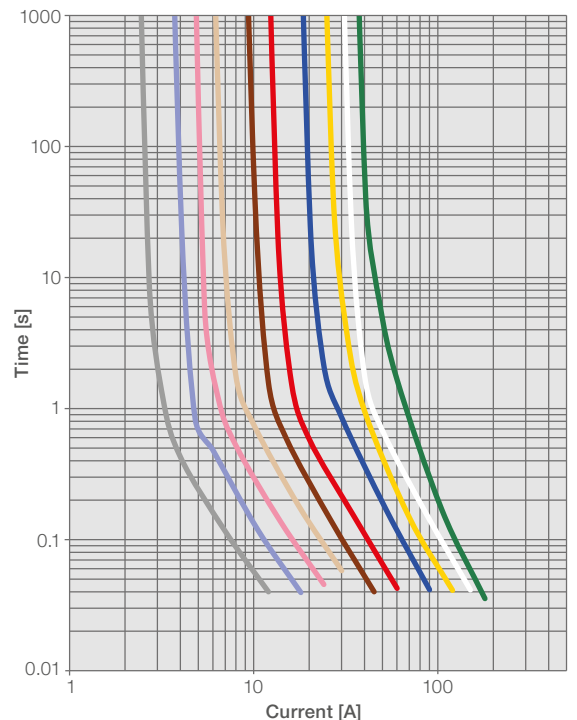
MELTING TIME AND CURVE

Operating time limits:

% I _R	Min [s]	Max [s]
110	360000	∞
135	0.75	120*
160	0.25	50
200	0.15	5
350	0.04	0.5
600	0.02	0.1

*Less than ISO requirements (600 s)

Melting time graph at 23°C on test module ISO



RERATING CURVE

