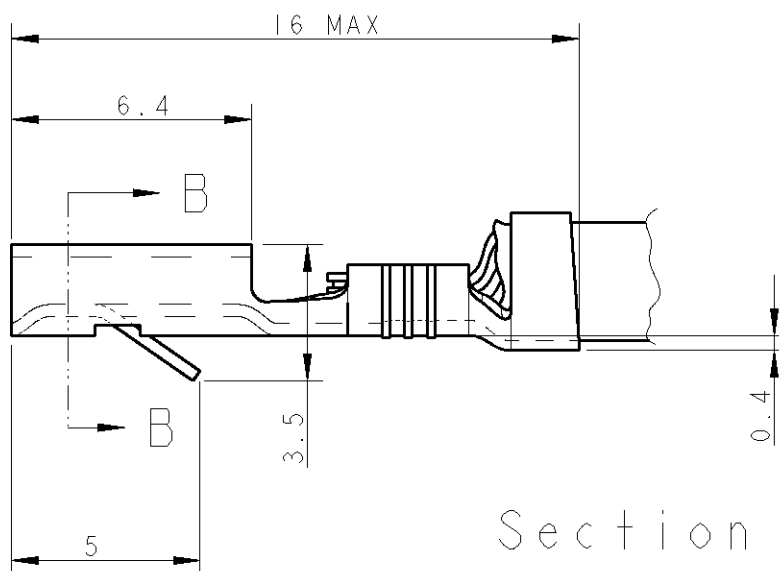
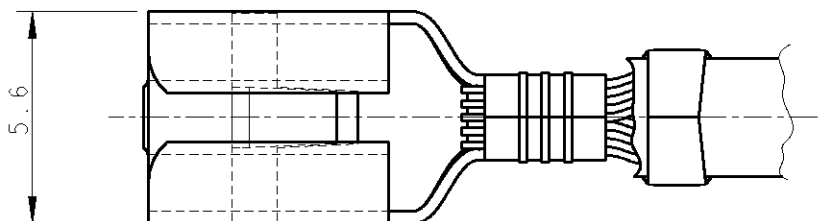


LOC	DIST	REVISIONS					
		P	LTR	DESCRIPTION	DATE	DWN	APVD
			M	REDRAWN ET00-0107-04	06MAY2004	AV	CT
			M1	CHANGED Q.TY PER REEL ET00-0050-05	21APR2005	AV	GT
			M2	REVISED PER ECO-10-000445	09JAN10	KK	AEG

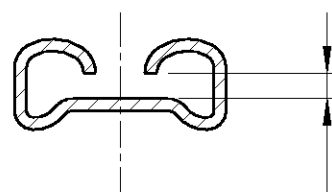


Section B-B

- ⚠ OTTONE P/N 280919-1
BRASS P/N ~~280919-1~~ **OBSELETE** ⚠
- OTTONE STAGNATO 280919-2
- TIN BRASS P/N 280919-2
- BRONZO FOSF. STAGNATO 280919-4
- TIN PHOS. BRZ. P/N 280919-4

WIRE RANGE 0.5-1.5 mm²
INSULATION 2.3-3.3 mm DIA.

⚠ **OBSELETE PARTS: OBSELETE CIS**
STREAMLINING PER D.RENAUD/D.SINISI



Adatto per linguetta
spessore 0.8 mm

2004

RELEASED FOR PUBLICATION

THIS DRAWING IS UNPUBLISHED.

BY TYCO ELECTRONICS CORPORATION. ALL RIGHTS RESERVED.

© COPYRIGHT 2004

DIMENSIONS: mm	DWN	06MAY2004	MATERIAL	FINISH				
	A. Vecchia			-				
TOLERANCES UNLESS OTHERWISE SPECIFIED:	CHK	06MAY2004	tyco Electronics	tyco Electronics AMP Italia S.p.A. 10093 Collegno TO				
	C. Tartari							
0 PLC ±0.4	APVD	06MAY2004	NAME CONTATTO FASTIN-ON FEMMINA SERIE 4.8 mm 4.8 mm SERIES FASTIN-ON RECEPTACLE					
1 PLC ±	PRODUCT SPEC							
2 PLC ±		108-20020	SIZE	CAGE CODE	DRAWING NO	RESTRICTED TO		
3 PLC ±	APPLICATION SPEC	-	A4	00779	C=280919	-		
4 PLC ±	WEIGHT	-	CUSTOMER DRAWING		SCALE	SHEET	OF	REV
ANGLES ±1°					5:1	1	1	M2