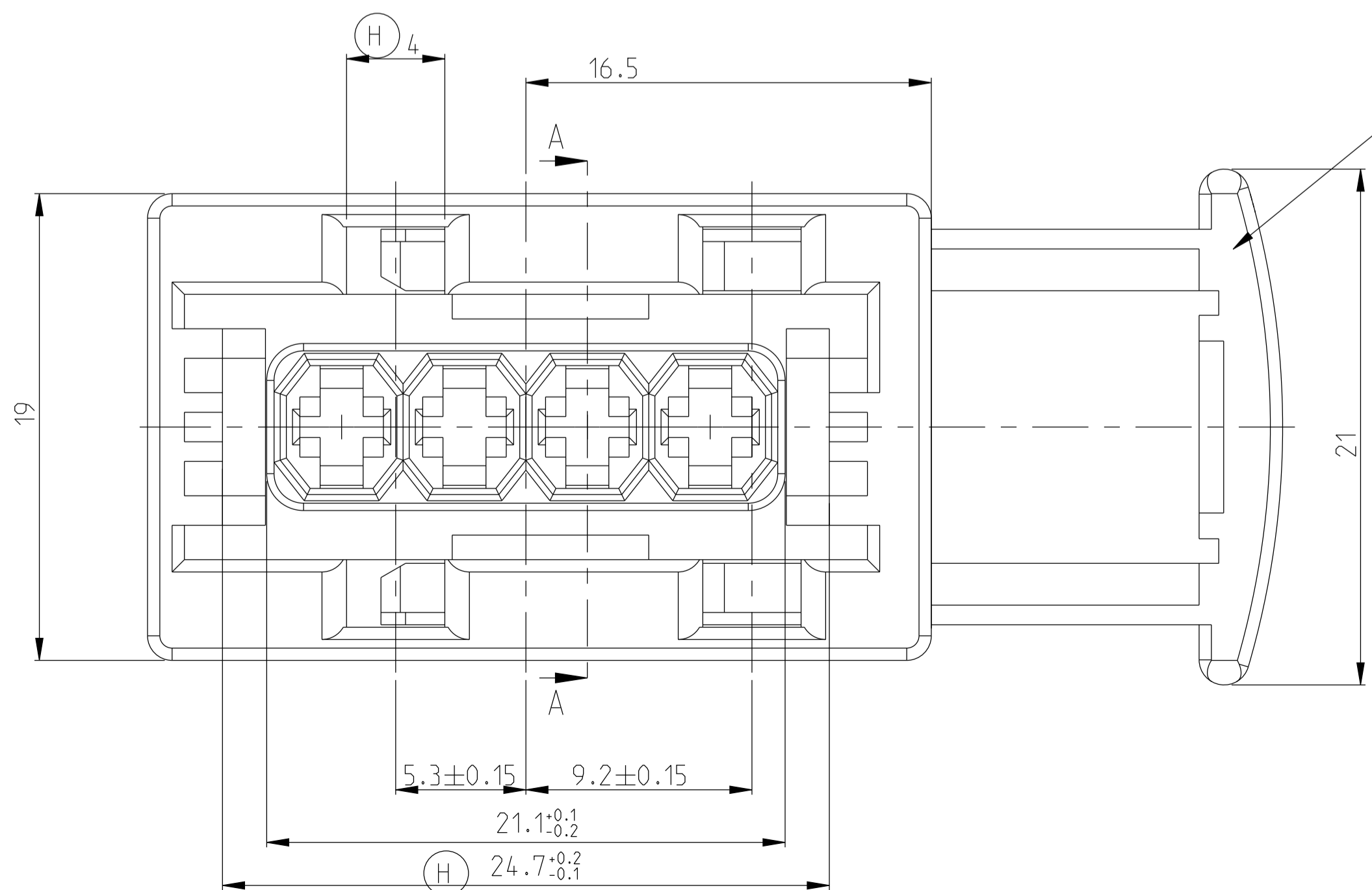
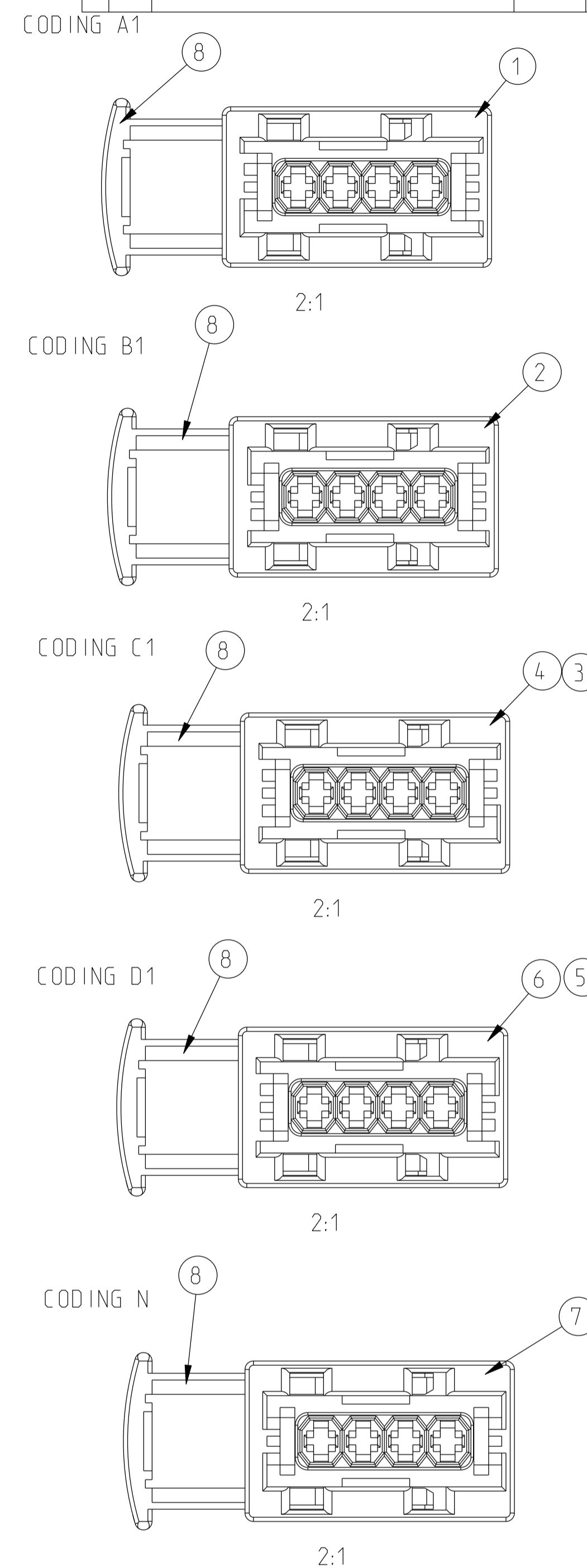
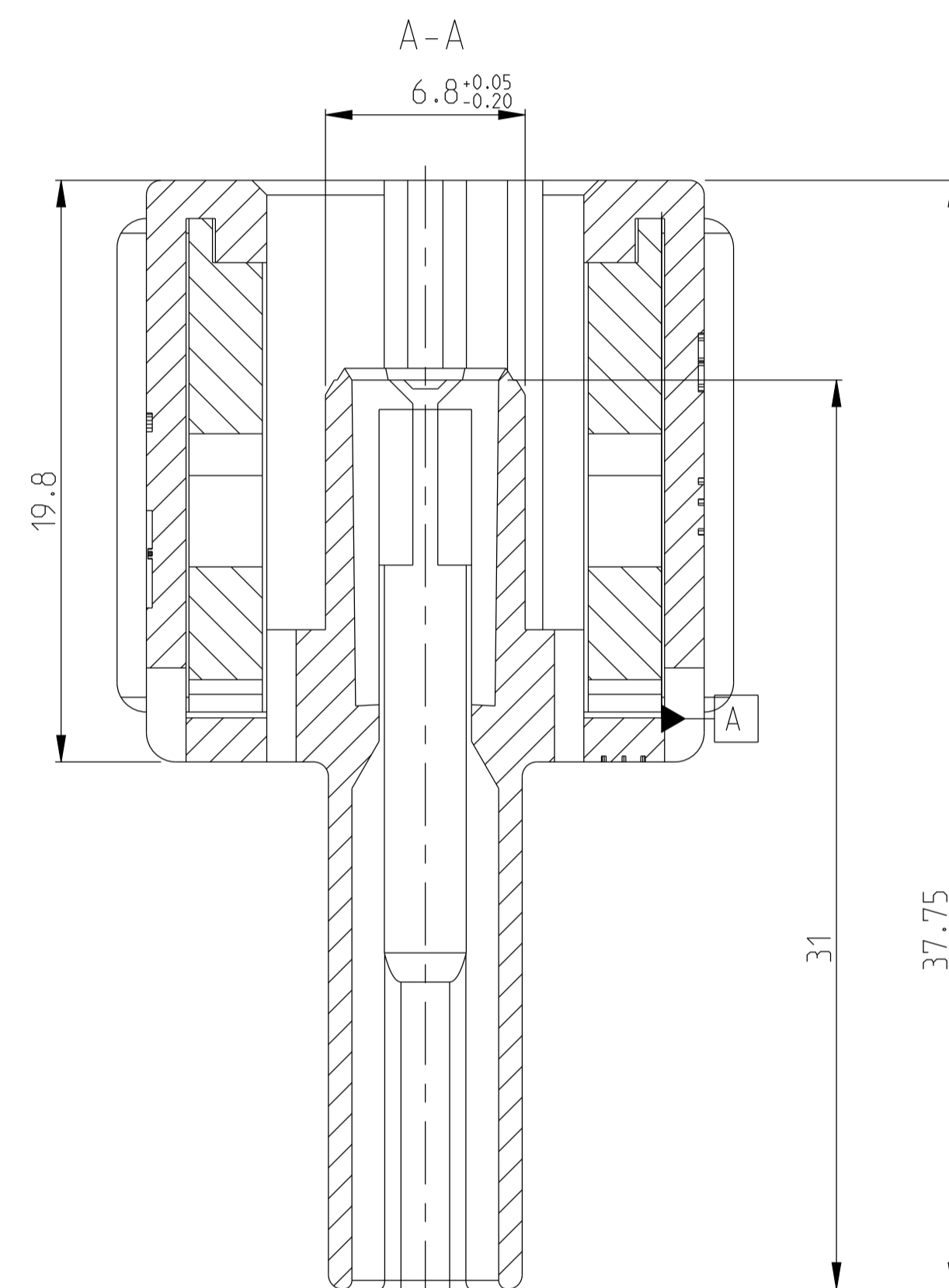
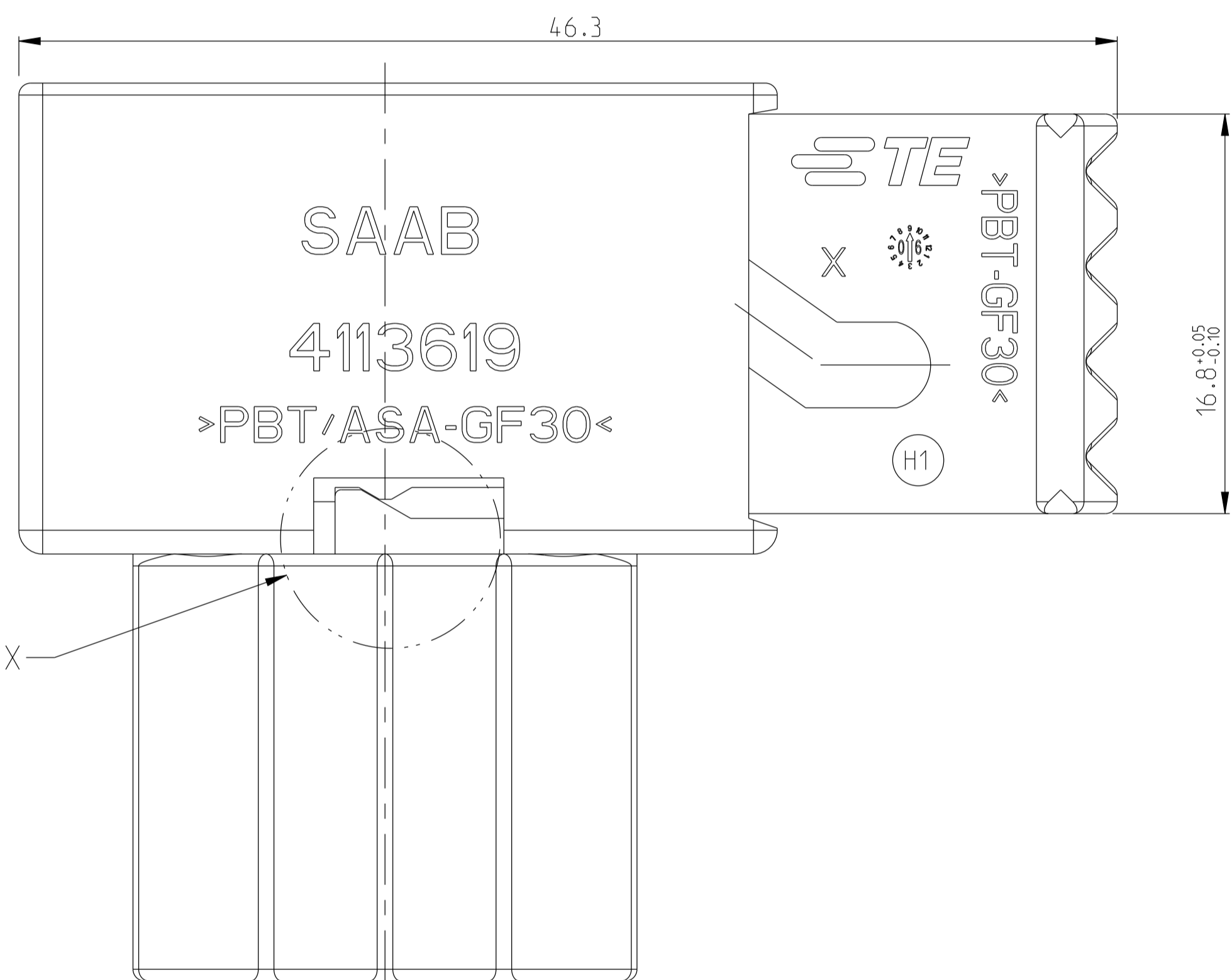
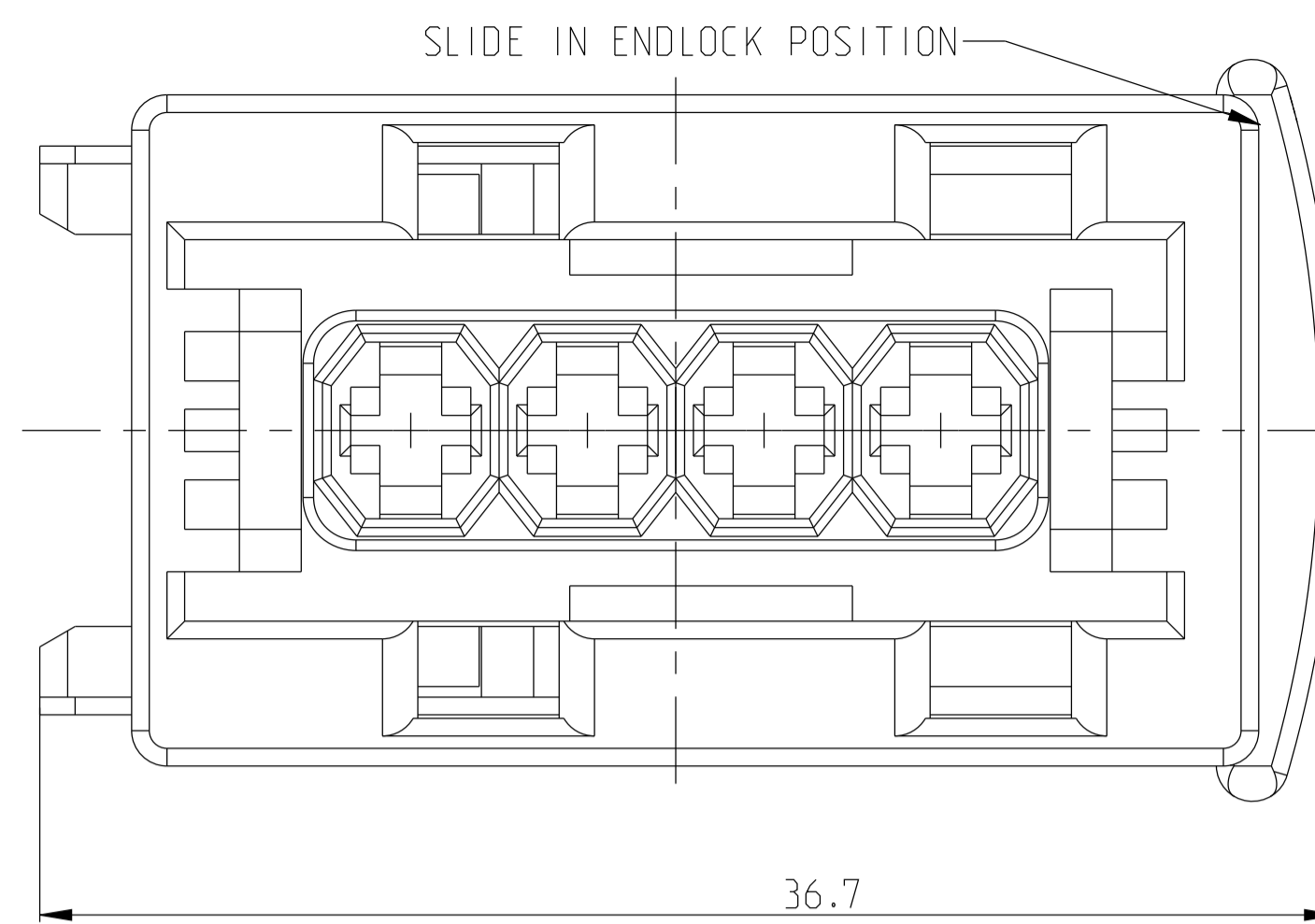
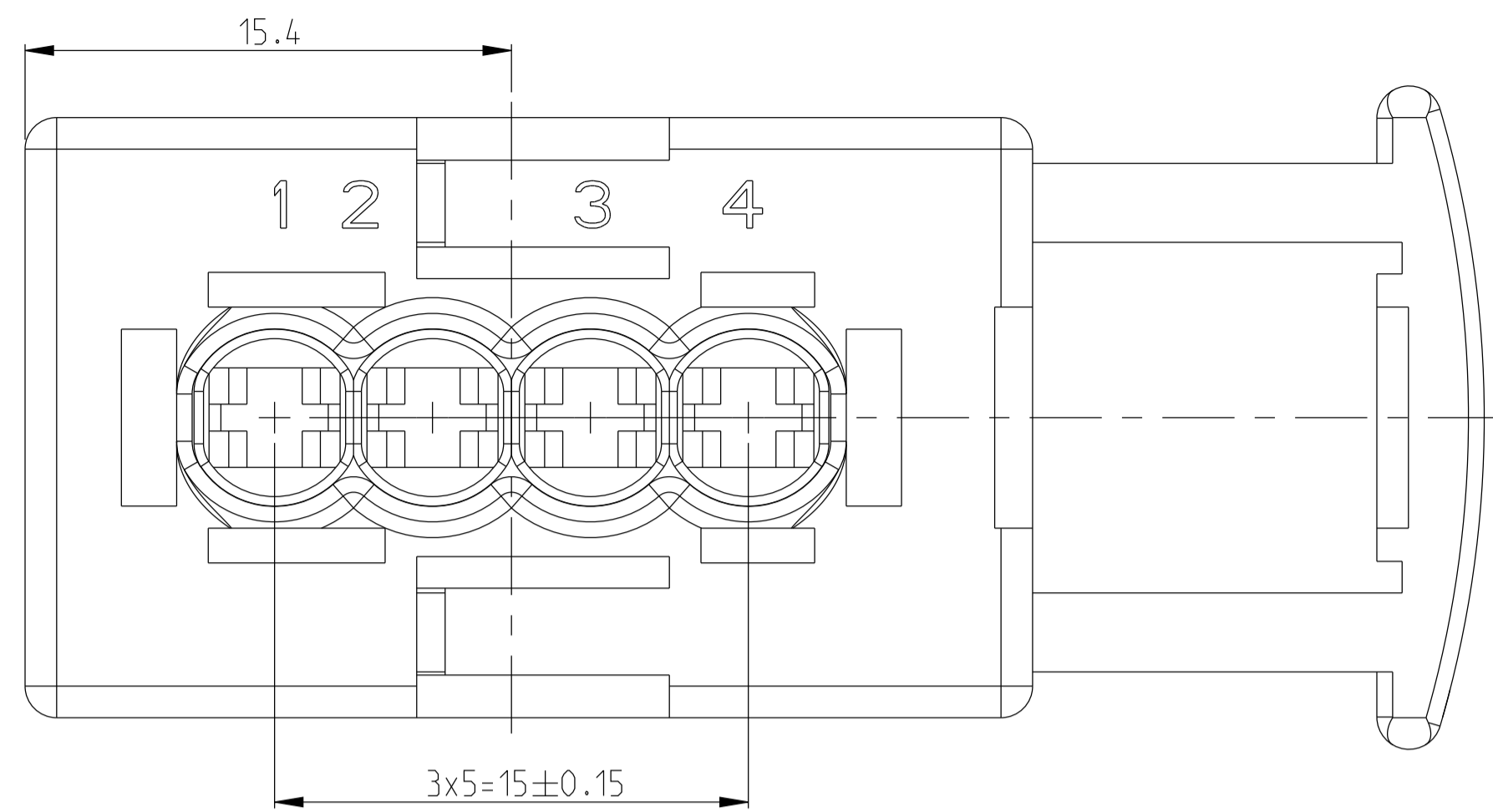


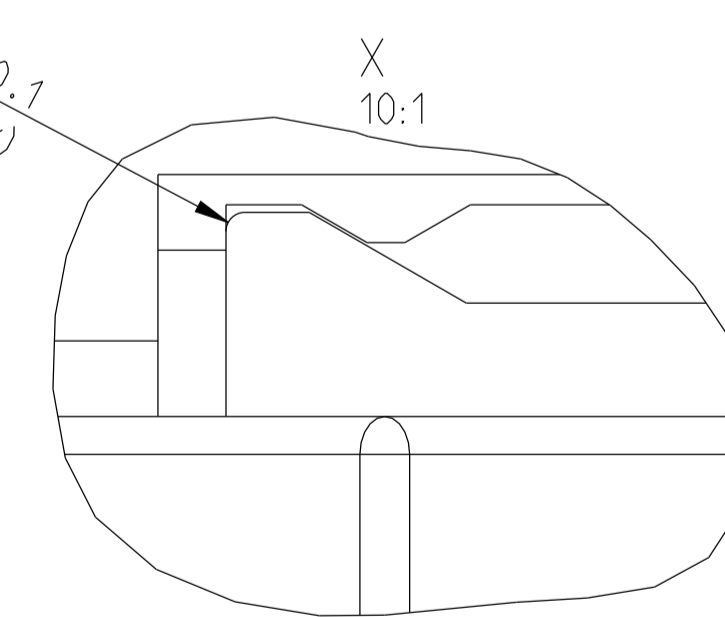
REVISIONS				
#	LT#	DESCRIPTION	DATE	OWN APVD
H		SEE PCN. EGAO-0728-03-3	25MAY2004	M.D. T.K.
H1		SEE E-06-019882	23AUG06	C.A. T.K.
H2		REVISED PER ECR-23-188581	27FEB2024	RK DJ

PROJECT-NO.: A89-52071



DELIVERY POSITION (G)
CAUSED BY TRANSPORT
THE POSITION OF THE SLIDE
COULD CHANGE TO INTERMEDIATE
OR CLOSED POSITION

OBsolete



CUSTOMER PART NO.	TE PART NO.	REV.	PCS	MATERIAL	COLOR	DESCRIPTION	ITEM NO.
4113601	5-963207-1 CODING N	H	1	PBT-GF30	RED	SLIDE	8
4113643	4-963207-2 CODING B1	H	1	PBT+ASA-GF30	RED	JPT HSG., 4POS.	7
4113643	4-963207-1 CODING D1	H	1	PBT-GF30	RED	SLIDE	8
4113635	3-963207-2 CODING C1	H	1	PBT+ASA-GF30	BROWN	JPT HSG., 4POS.	5
4113635	3-963207-1 CODING C1	H	1	PBT-GF30	RED	SLIDE	8
4113627	2-963207-1 CODING B1	H	1	PBT+ASA-GF30	GREEN	JPT HSG., 4POS.	4
4113619	1-963207-1 CODING A1	H	1	PBT-GF30	RED	SLIDE	8
			1	PBT+ASA-GF30	BLACK	JPT HSG., 4POS.	1

THIS DRAWING IS A CONTROLLED DOCUMENT.

OWN: M. Dauber 24MAY2004
CHK: T. Kilian 25MAY2004

DIMENSIONS: mm

TOLERANCES UNLESS OTHERWISE SPECIFIED:
0 PLC ±0.3
1 PLC ±0.3
2 PLC ±0.3
3 PLC ±0.3
4 PLC ±0.3
ANGLES ±°

MATERIAL: - FINISH: -

TE Connectivity
JUNIOR POWER TIMER HOUSING, 4 POS.

SIZE: 116-18175-1
CAGE CODE: 00779
DRAWING NO: 963207

RESTRICTED TO: -
SCALE: 5:1 SHEET 1 OF 1 REV: H2

