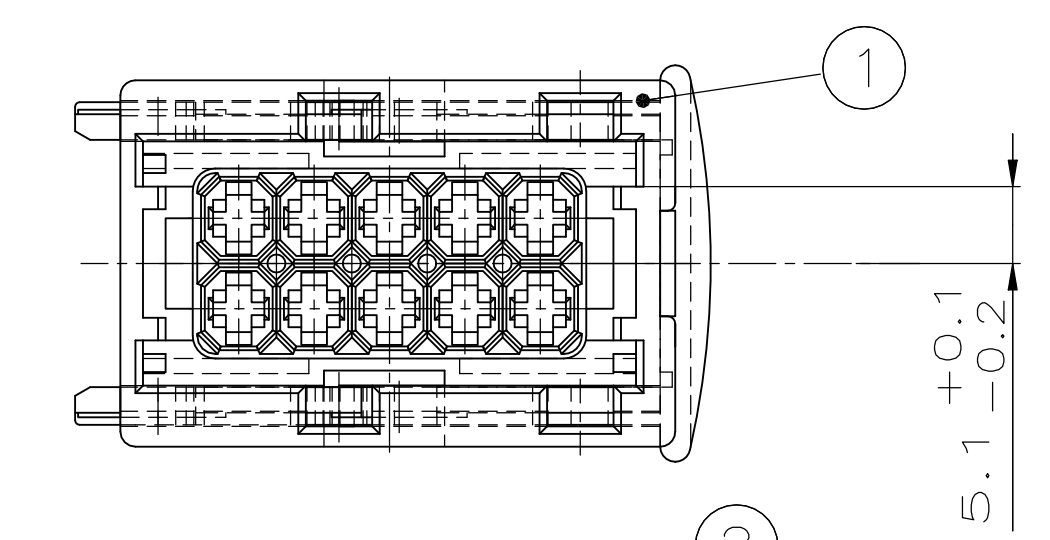
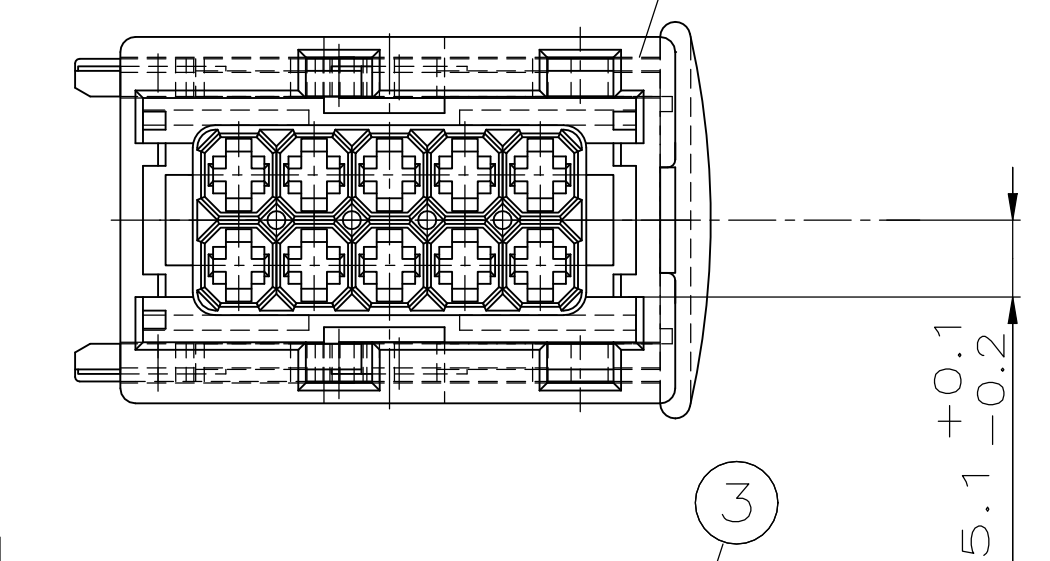


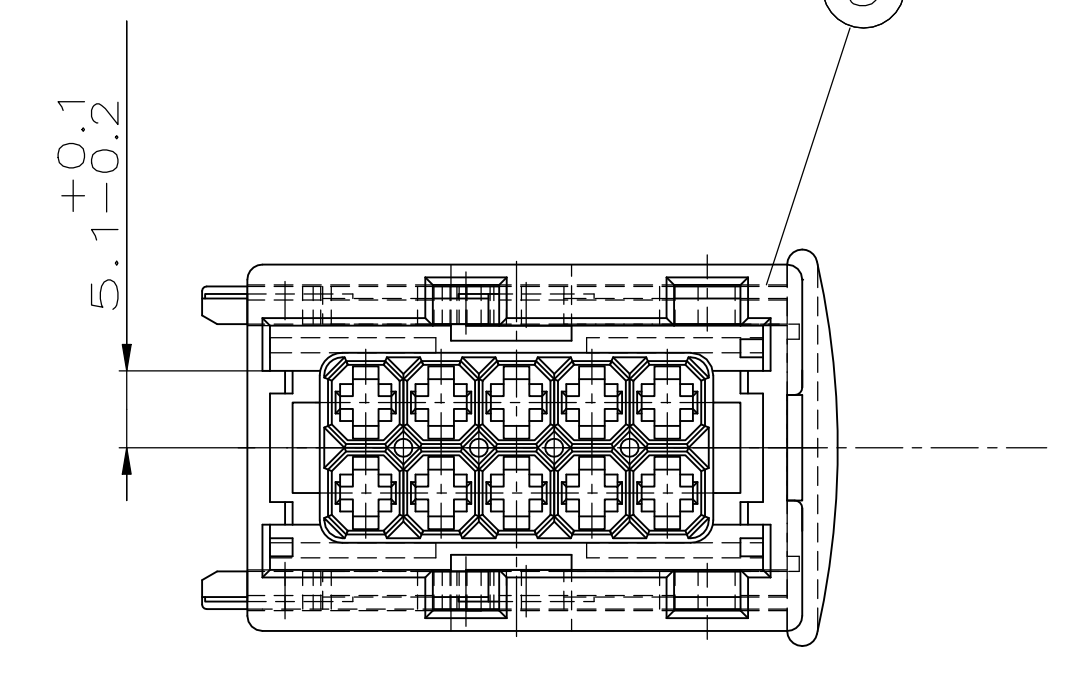
CODING A1



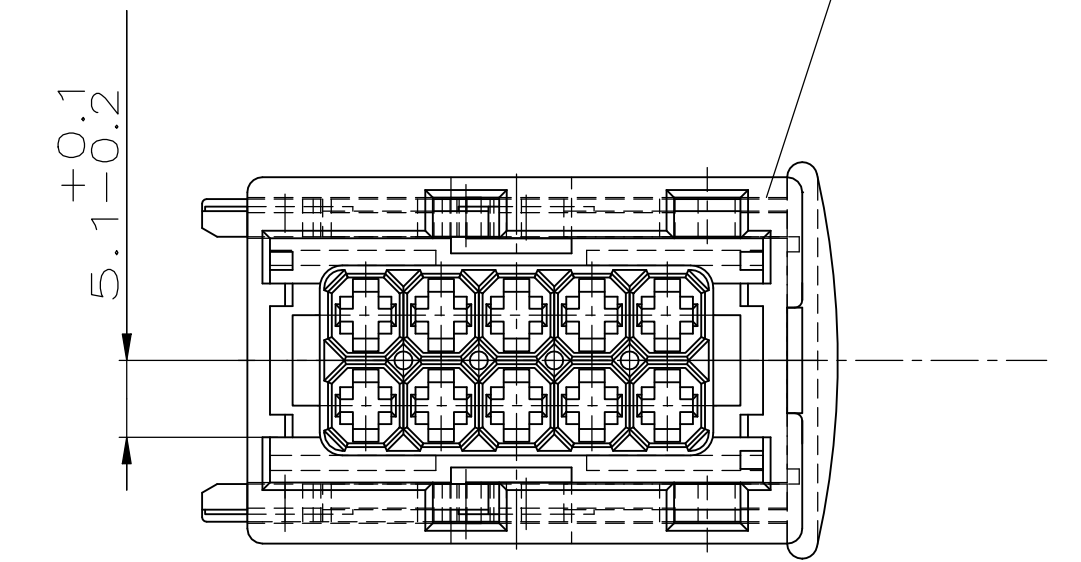
CODING B1



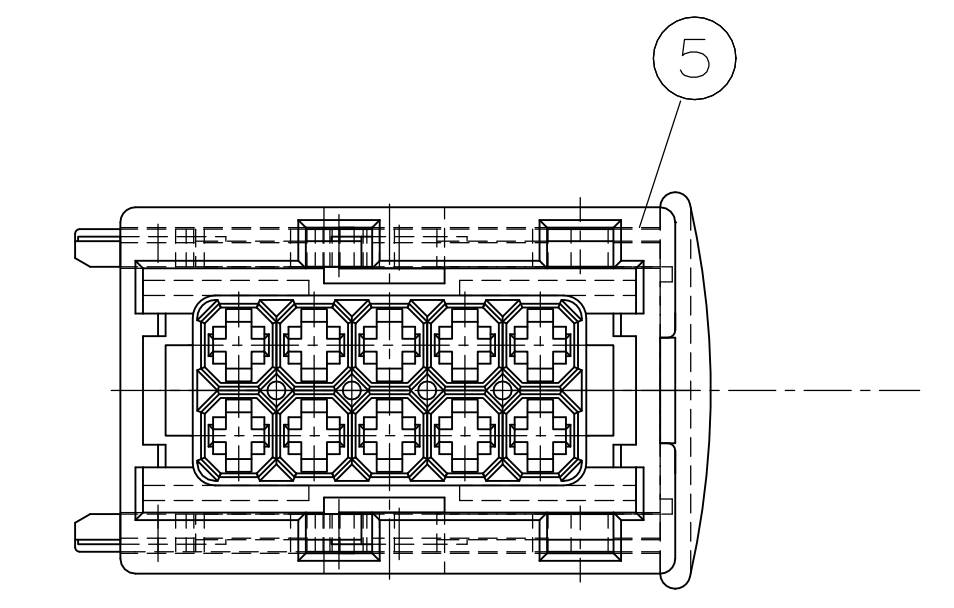
CODING C1



CODING D1



CODING N



SAAB PART NO	AMP PART NO	REV.	PCS.	MATERIAL	SURFACE COLOR	DESCRIPTION	ITEM NO
4114005	5-963214-1	D	1	PBT-GF30	RED	SLIDE	6
	CODING N		1	PBT/ASA-GF30	WHITE	JPT HOUSING, 10POS.	5
4114047	4-963214-1	D	1	PBT-GF30	RED	SLIDE	6
	CODING D1		1	PBT/ASA-GF30	BROWN	JPT HOUSING, 10POS.	4
4114039	3-963214-1	D	1	PBT-GF30	RED	SLIDE	6
	CODING C1		1	PBT/ASA-GF30	BLUE	JPT HOUSING, 10POS.	3
4114021	2-963214-1	D	1	PBT-GF30	RED	SLIDE	6
	CODING B1		1	PBT/ASA-GF30	GREY	JPT HOUSING, 10POS.	2
4114013	1-963214-1	D	1	PBT-GF30	RED	SLIDE	6
	CODING A1		1	PBT/ASA-GF30	BLACK	JPT HOUSING, 10POS.	1

TE Connectivity

JPT Gehäuse, 10Polig

108-18102

114-18175

100779

963214

DATE: 29.03.93

APVD: S.Garcia

DATE: 29.03.93

APVD: W.Stabroth

PRODUCT SPEC: 108-18102

APPLICATION SPEC: 114-18175

WEIGHT: -

CUSTOMER DRAWING /KUNDENZEICHNUNG

MASSSTAB: 2:1

BLATT: 1

OF: 1

REV: D1

RESTRICTED TO KUPF FIBER