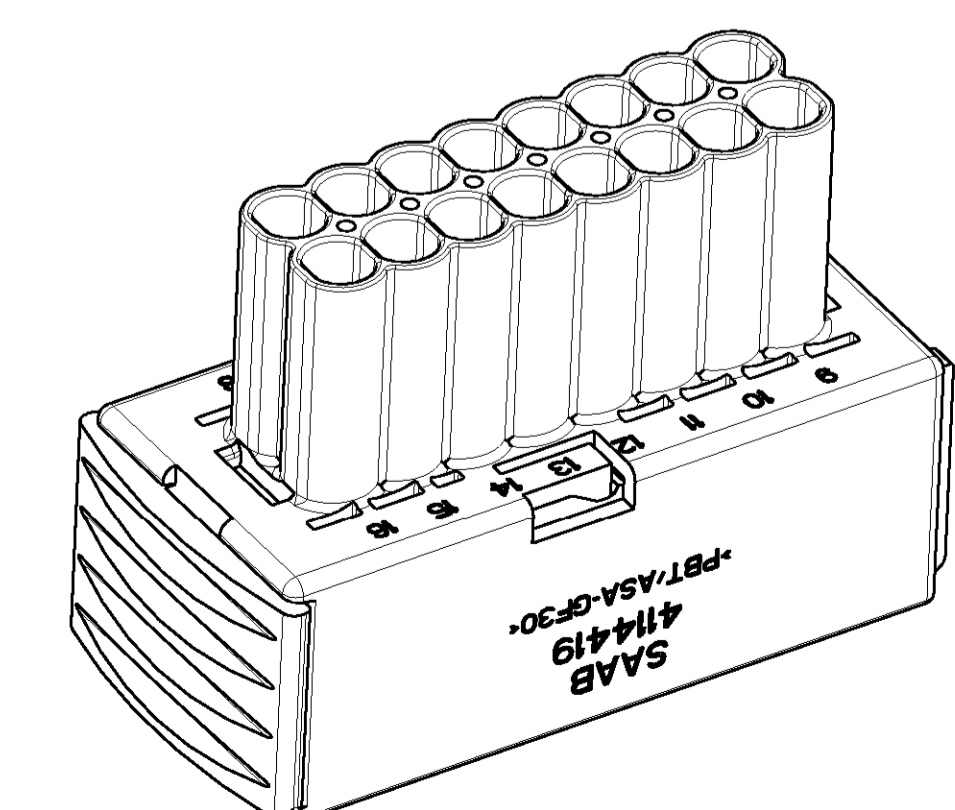


- NOTES:
- 1 Au-VERSION OF CONTACT IS 1-xxxxxx-1
Au-Version des Kontaktes ist 1-xxxxxx-1
 - 2 WATER TIGHTNESS ACC. GMI 12590; 5.10.3
FURTHER INFORMATIONS SEE PRODUCT SPECIFICATION 108-18102-1/...-9
Wasserdichtheit nach GMI 12590; 5.10.3
Weitere Informationen siehe Produktspezifikation 108-18102-1/...-9
 - 3 Einfall bis auf 23.5mm zulässig
SHRINKAGE UP TO 23.5MM ALLOWED

JPT	ORDER-NO. STRIP	WIRE SIZE (mm ²)	MATERIAL	FINISH	SINGLE WIRE SEAL	COLOR	WATER-TIGHTNESS
JPT	0-0929937-1	1.5 - 2.5	CuFe 2	TINNED	0-0828905-1	WHITE	IPX 9K
JPT	0-0929939-1	0.75 - 1.0	CuFe 2	TINNED	0-0828904-1	LIGHT BLUE	IPX 9K
JPT	0-0929939-1	0.5	CuFe 2	TINNED	0-0963294-1	BLUE	IPX 9K
JPT	0-0929941-1	0.35	CuFe 2	TINNED	0-0963294-1	BLUE	IPX 9K



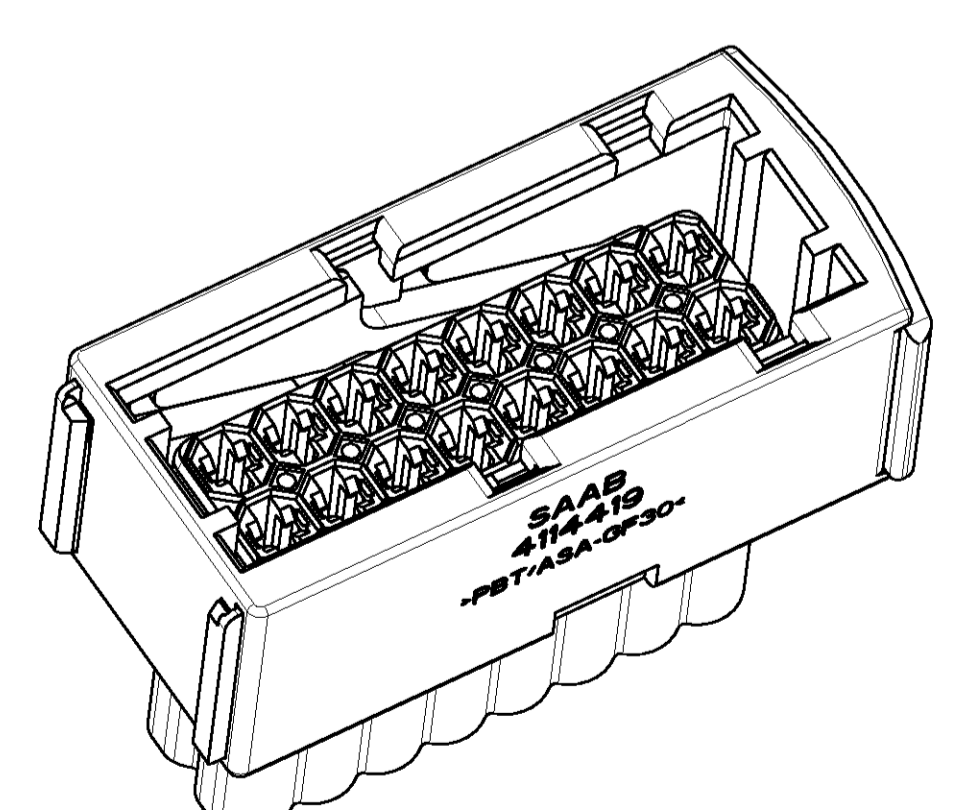
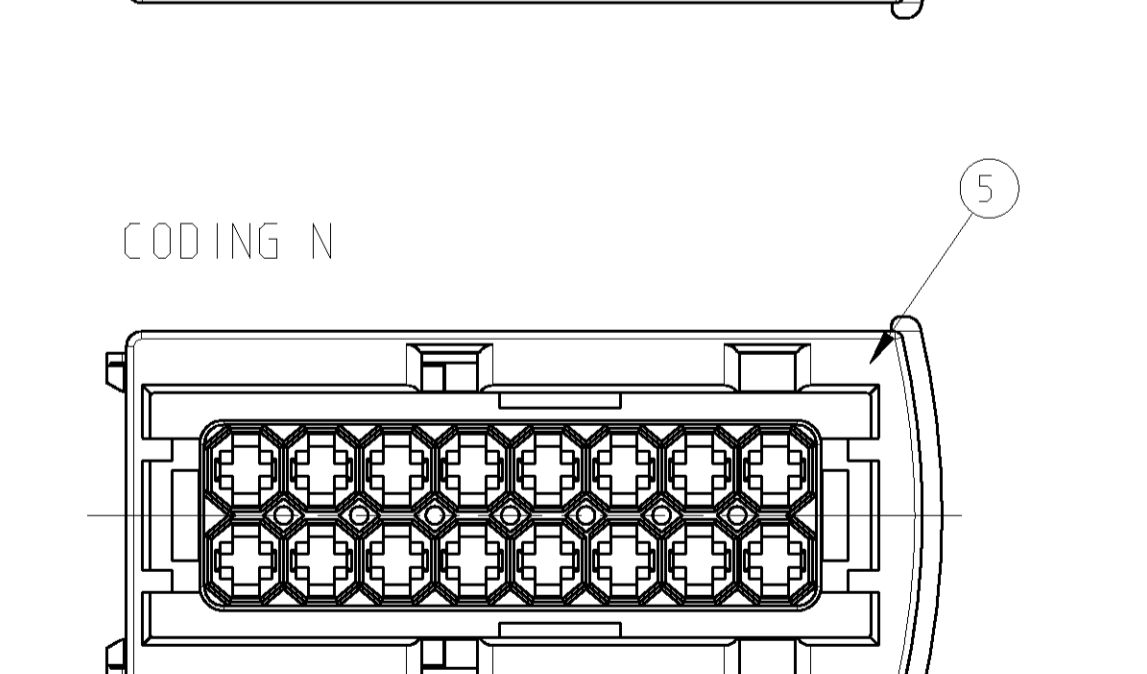
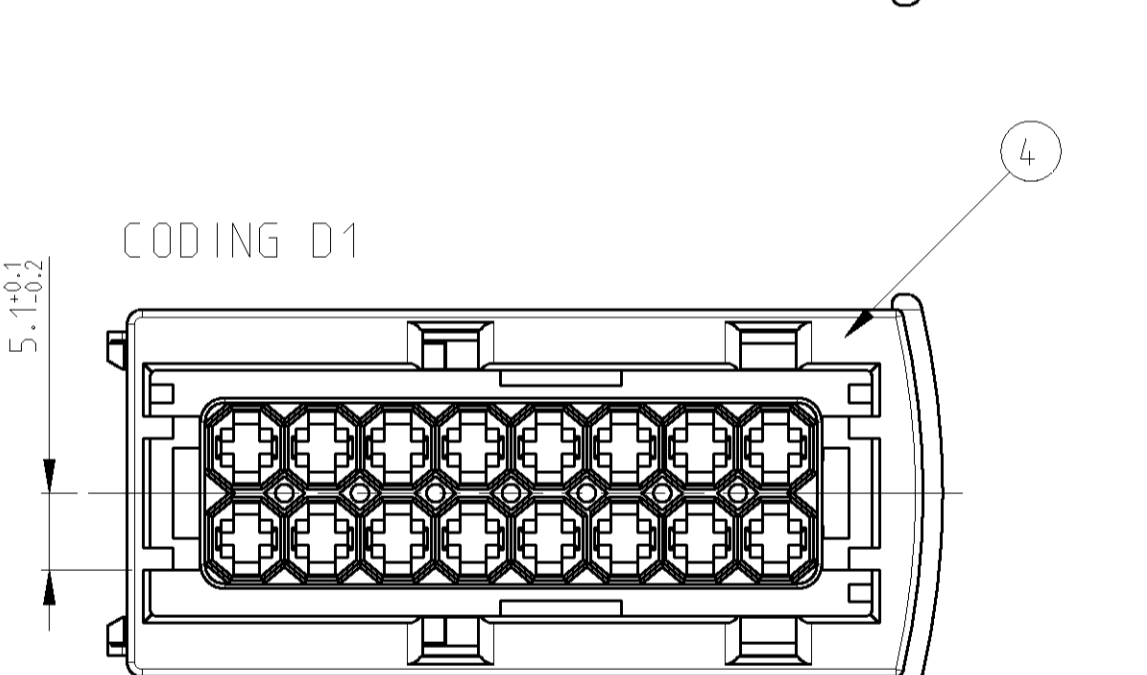
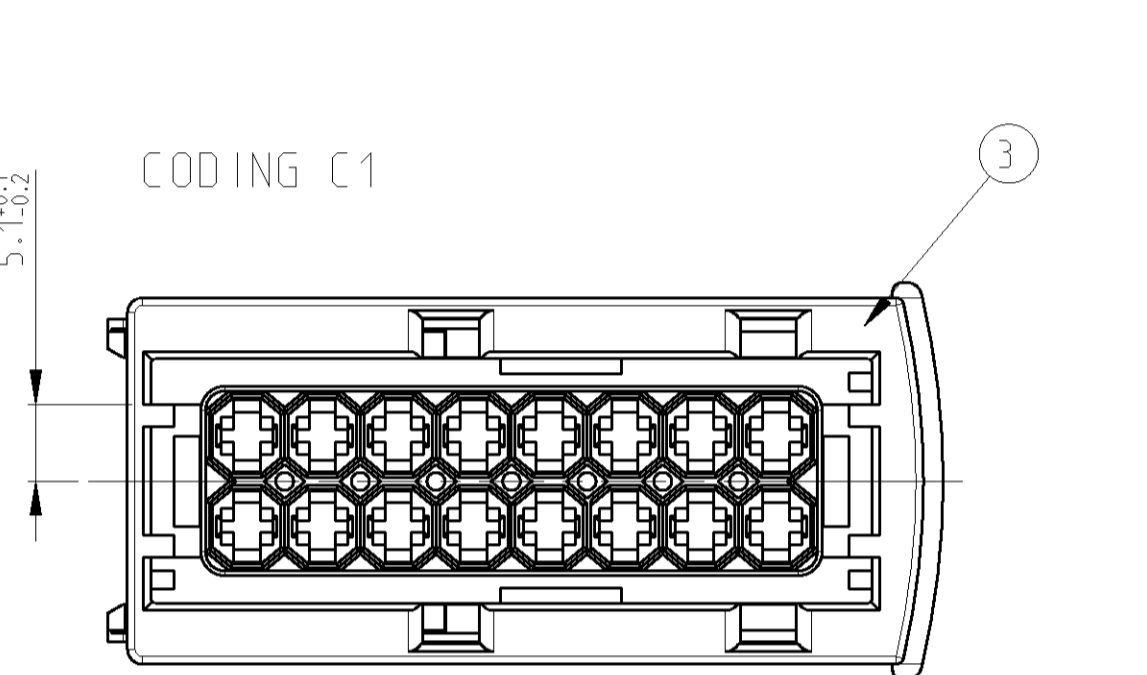
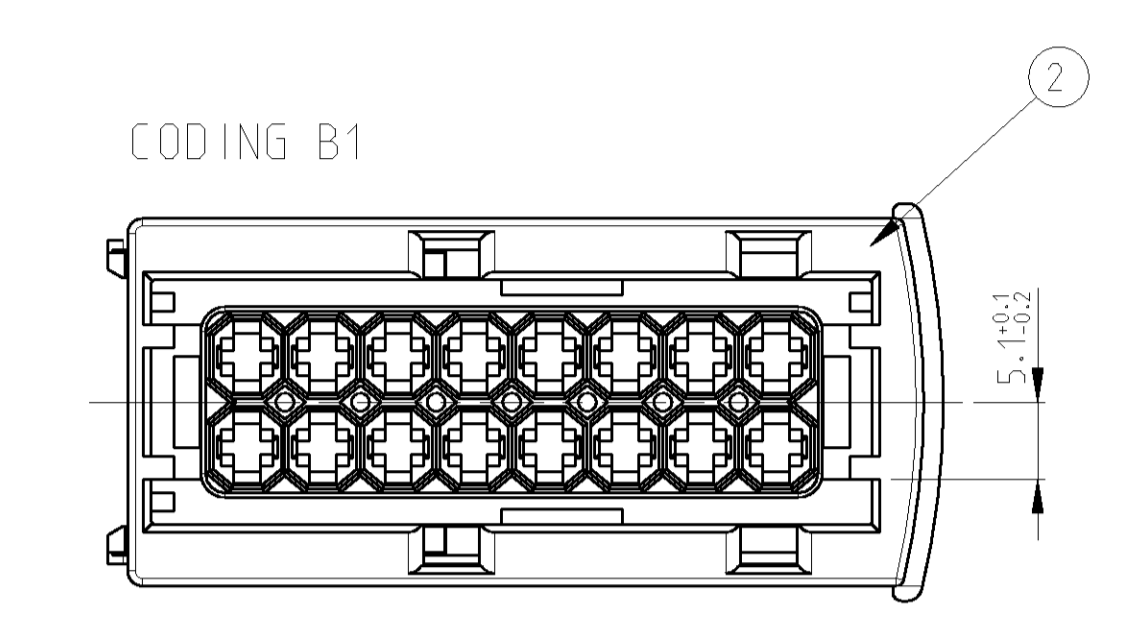
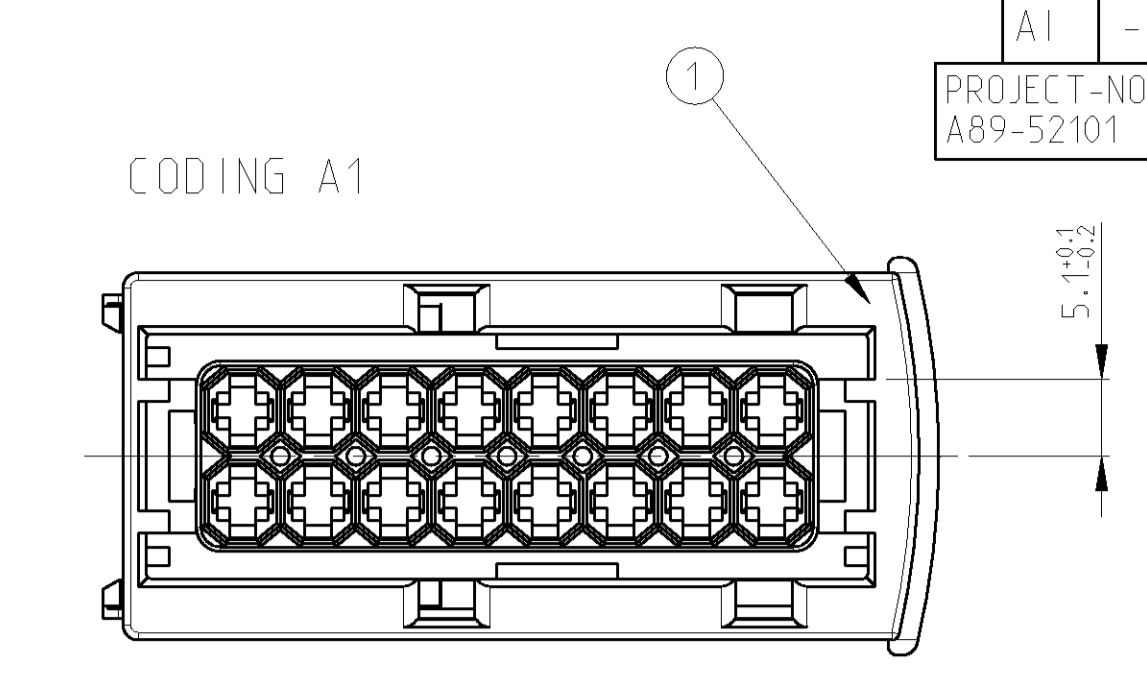
2:1

CUSTOMER PART NO.	GM SIGN	PART NO.	REV.	PCS	MATERIAL	COLOR	DESCRIPTION	ITEM NO.
4114401		5-963217-1		1	PBT/ASA-GF30	RED	SLIDE	6
4114443		4-963217-1		1	PBT/ASA-GF30	WHITE	JPT HSG., 16POS.	5
4114435		3-963217-1		1	PBT/ASA-GF30	RED	SLIDE	6
4114427		2-963217-1		1	PBT/ASA-GF30	BROWN	JPT HSG., 16POS.	4
4114419	ZFW 16-2	1-963217-1		1	PBT/ASA-GF30	RED	SLIDE	6
				1	PBT/ASA-GF30	BLACK	JPT HSG., 16POS.	1

LOC	REV	DATE	BY	CHKD	APPD
A1	-				

PROJECT-NO.: A89-52101

REV	DESCRIPTION	DATE	BY	APPD
F3	REVISED PER ECO-11-005150	28APR11	RK	HMR



2:1

DIMENSIONS:	TOLERANCES UNLESS OTHERWISE SPECIFIED:	DATE	BY	CHKD	APPD
mm	0 PLC ±0.3 1 PLC ±0.3 2 PLC ±0.3 3 PLC ±0.3 4 PLC ±0.3	29-MAR-1999	S. GARCIA	W. STABROTH	
MATERIAL:	FINISH:	PRODUCT SPEC	NAME		
-	-	108-18102	JPT REC-HOUSING, 16POS., ASSY		
		APPLICATION SPEC	JPT Buchsengehäuse, 16pol., Assy		
		114-18175	SIZE	CAGE CODE	DRAWING NO.
		WEIGHT	A1	00779	963217
		CUSTOMER DRAWING	SCALE	SHEET	OF
			2:1	1	1