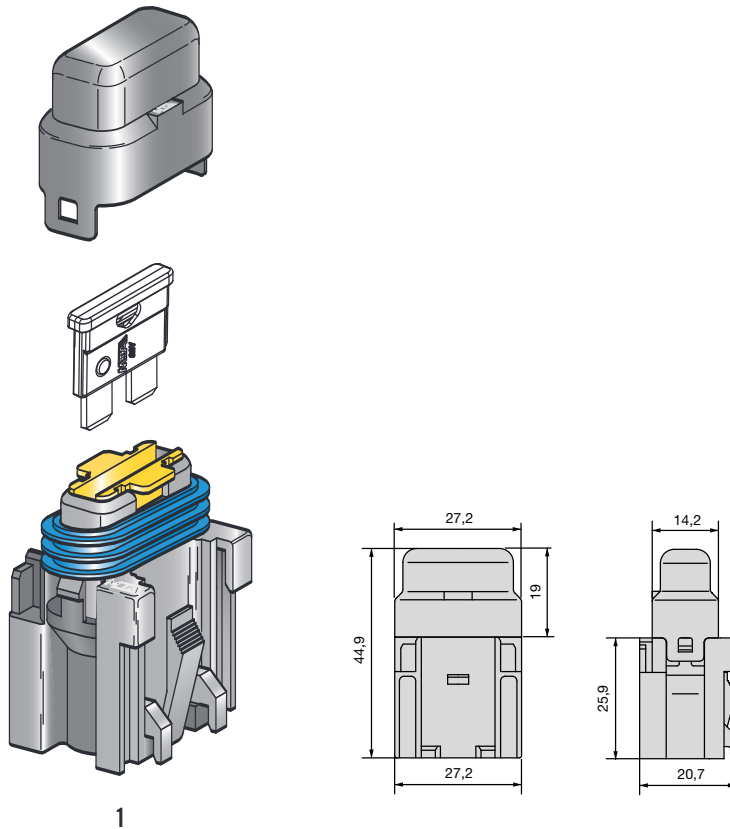


SPLASH PROOF UNIVAL® HOLDER



1

IMG	DESCRIPTION	WAY	MATERIAL	COLOUR	S. LOCK COLOUR	P/N BOX	M.O.Q.	P/N BOX	M.O.Q.	P/N BULK	M.O.Q.
1	S.P. HOLDER+ COVER	1	PA66	■ Black	■ Black					0301301	1500
	+ SECONDARYLOCK 1 AMP		PBT GF20		■ Black					0301301	1500
	+ SECONDARYLOCK 5 AMP		PBT GF20		■ Beige			0302305	100	0301305	1500
	+ SECONDARYLOCK 7,5 AMP		PBT GF20		■ Brown					0301307	1500
	+ SECONDARYLOCK 10 AMP		PBT GF20		■ Red			0302310	100	0301310	1500
	+ SECONDARYLOCK 15 AMP		PBT GF20		■ Blue			0302315	100	0301315	1500
	+ SECONDARYLOCK 20 AMP		PBT GF20		■ Yellow	0101320	50	0302320	100	0301320	1500
	+ SECONDARYLOCK 25 AMP		PBT GF20		□ Natural			0302325	100	0301325	1500
	+ SECONDARYLOCK 30 AMP		PBT GF20		■ Green			0302330	100	0301330	1500
	KIT WITH TERMINALS, GASKET AND FIXING PLATE					3050153	1				

CONNECTIONS AND FIXINGS



0300848



0300949



0300851



0300856



0300392



0300440



0300430



0300697



0300698



UNI F630