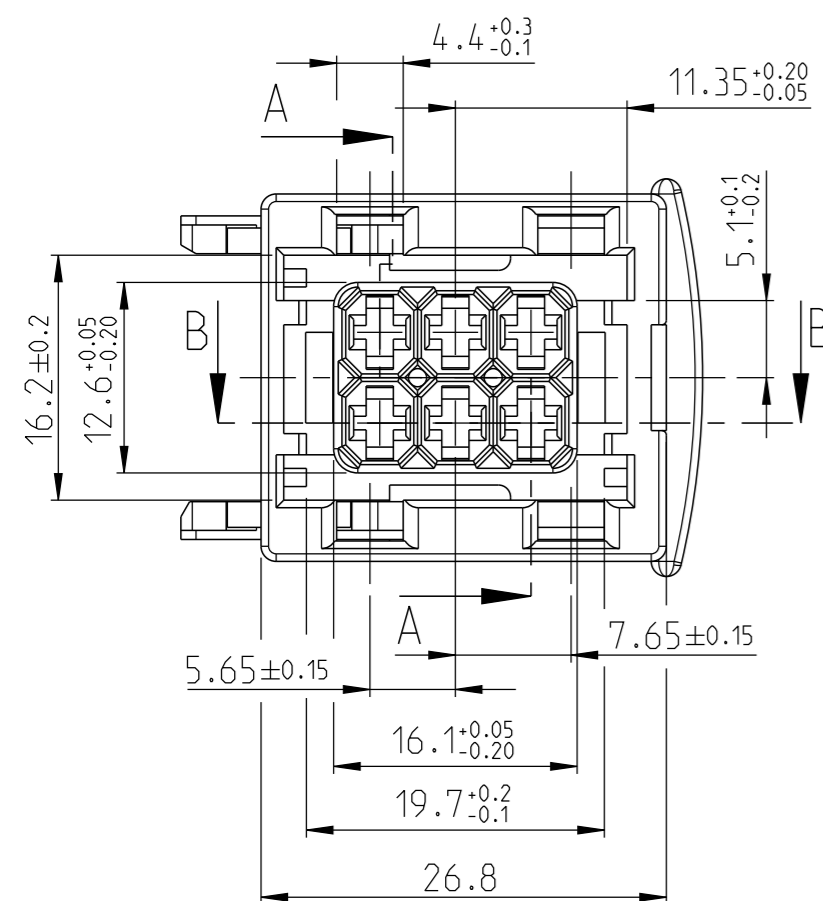
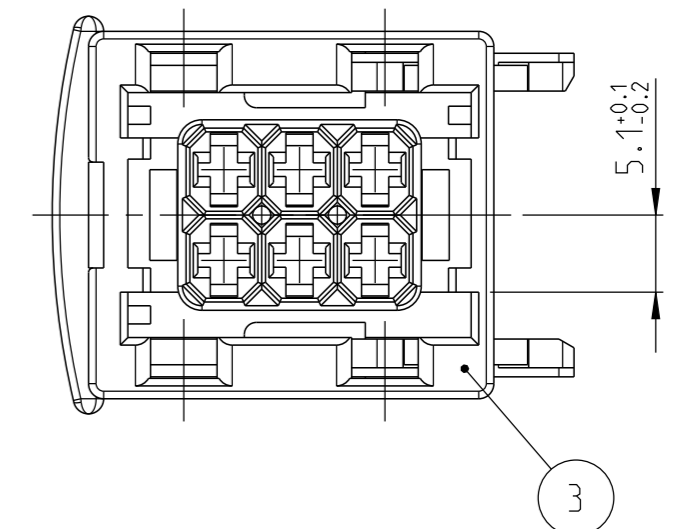
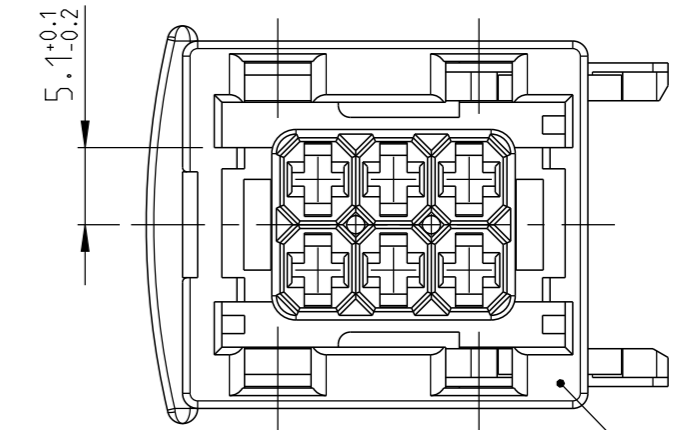
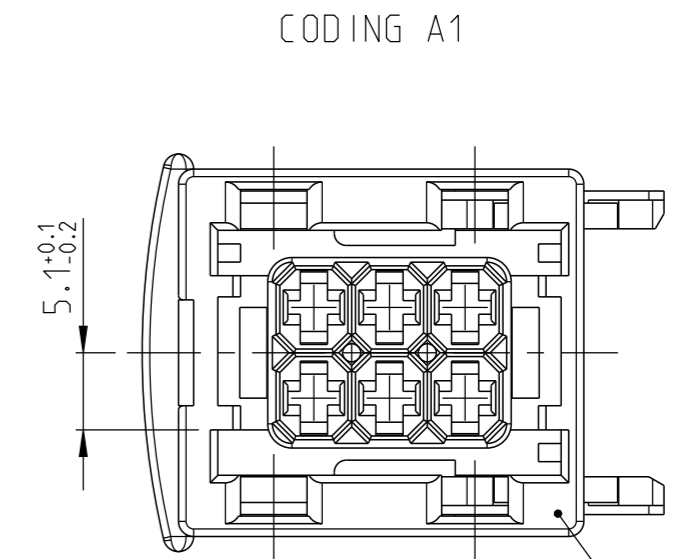
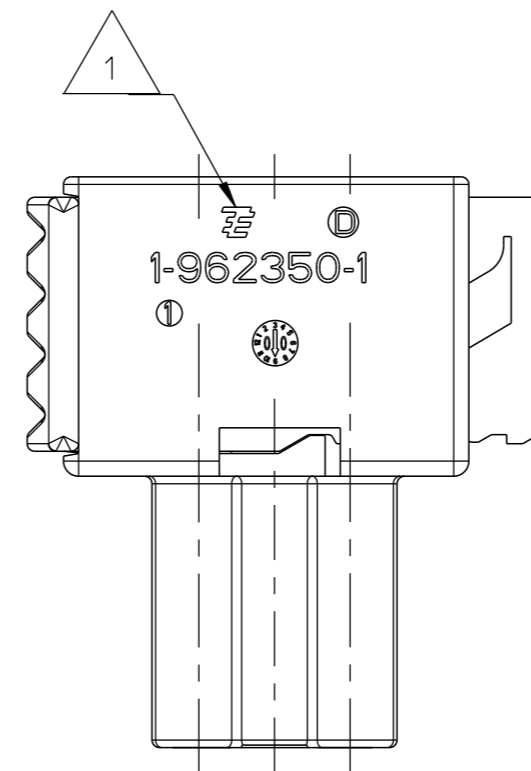
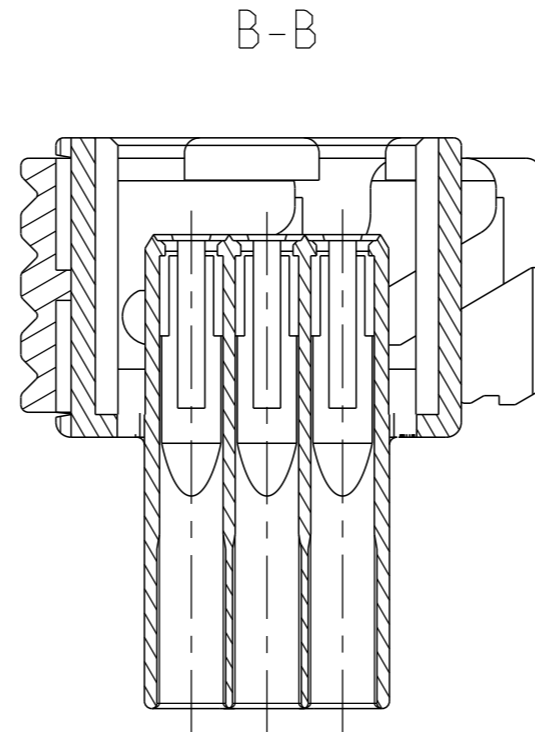
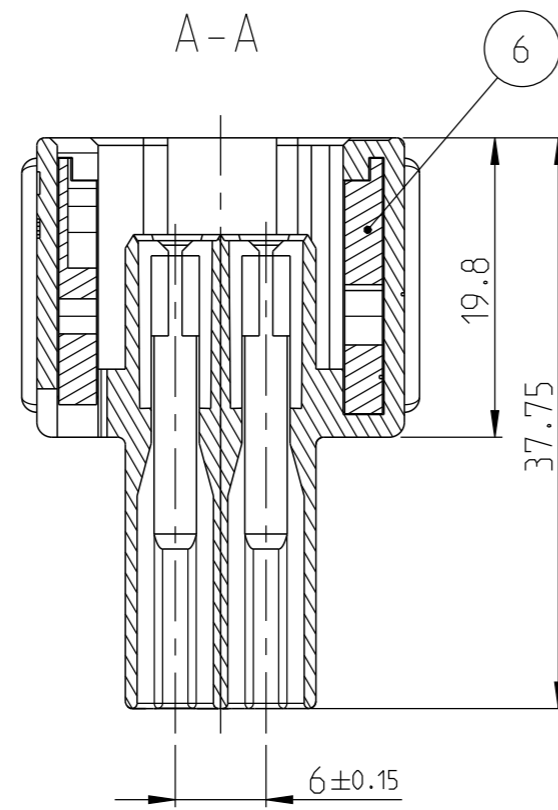
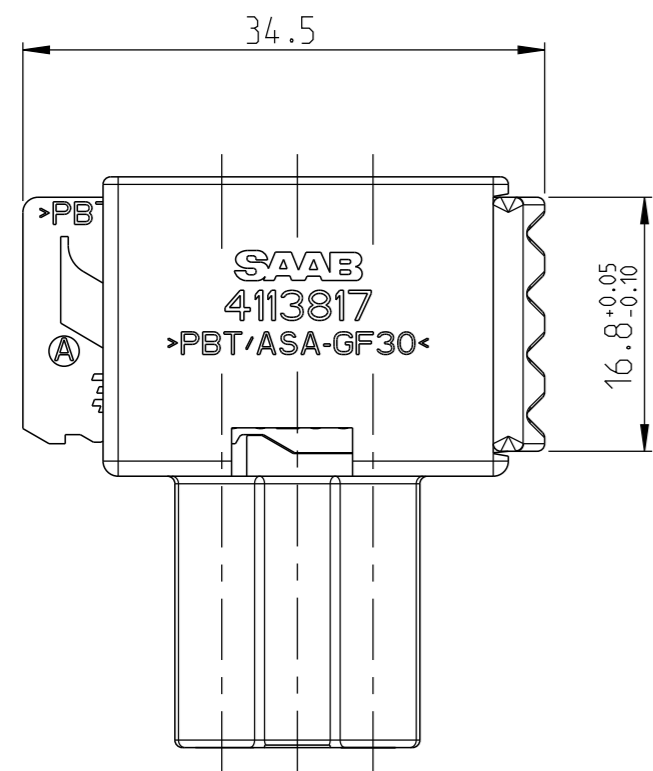
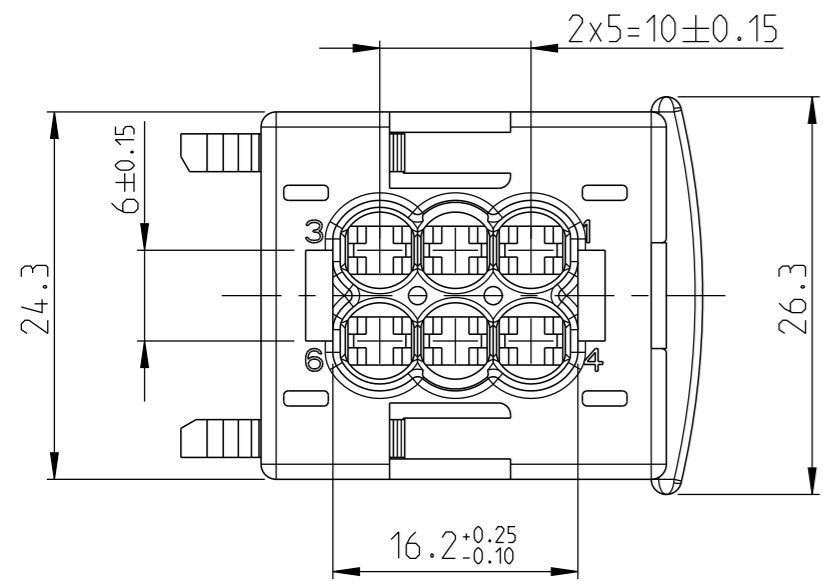


REVISIONS					
P	LTR	DESCRIPTION	DATE	DWN	APVD
D1		SEE ECR-10-024362	08DEC2010	BM	TK
D2		SLIDE PART MATERIAL DESCRIPTION CORRECTION	27JUL2023	KMD	-



TE PART NO.	REV	PCS.	SAAB PART NO.	MATERIAL	COLOUR	DESCRIPTION	ITEM
5-963212-1	D	1		PBT/ASA-GF30	RED	SLIDE	6
		1		PBT/ASA-GF30	WHITE	6 POS. JPT HSG. COD N	5
4-963212-1	D	1		PBT/ASA-GF30	RED	SLIDE	6
		1		PBT/ASA-GF30	BROWN	6 POS. JPT HSG. COD D1	4
3-963212-1	D	1	4113833	PBT/ASA-GF30	RED	SLIDE	6
		1		PBT/ASA-GF30	BLUE	6 POS. JPT HSG. COD C1	3
2-963212-1	D	1	4113825	PBT/ASA-GF30	RED	SLIDE	6
		1		PBT/ASA-GF30	GREY	6 POS. JPT HSG. COD B1	2
1-963212-1	D	1	4113817	PBT/ASA-GF30	RED	SLIDE	6
		1		PBT/ASA-GF30	BLACK	6 POS. JPT HSG. COD A1	1

NOTES  
Bemerkung

NEW TE LOGO VALID ONLY FOR NEW TOOLS

1- -1 AS SHOWN

THIS DRAWING IS A CONTROLLED DOCUMENT.

DIMENSIONS:	TOLERANCES UNLESS OTHERWISE SPECIFIED:
mm	0 PLC ±0.3mm
	1 PLC ±0.3mm
	2 PLC ±0.3mm
	3 PLC ±
	4 PLC ±
	ANGLES ±°
MATERIAL	FINISH
material_2	finish_spec_2

DWN	M. Benes	08DEC2010		
CHK	S. Ryska	08DEC2010		
APVD	I. Konecny	09DEC2010		
PRODUCT SPEC	108-18102			
APPLICATION SPEC	114-18175		NAME	6POS. JPT-HSG. ASSY 6pol. JPT Gehaeuse Assy
WEIGHT	-		SIZE	A2
CUSTOMER DRAWING			CAGE CODE	00779
SCALE	2:1		DRAWING NO	G-963212
SHEET	1 OF 1		RESTRICTED TO	-
REV	D2			