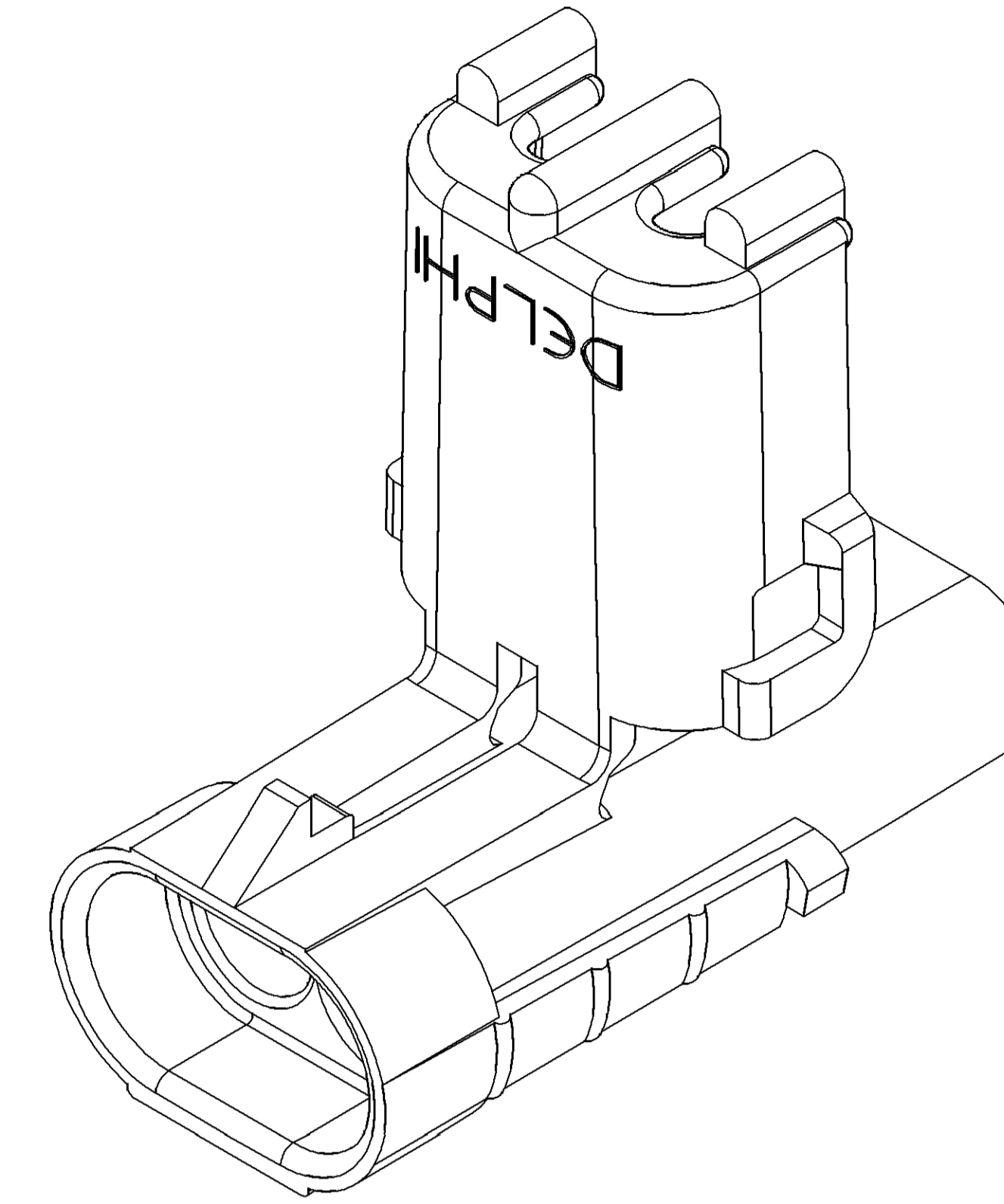
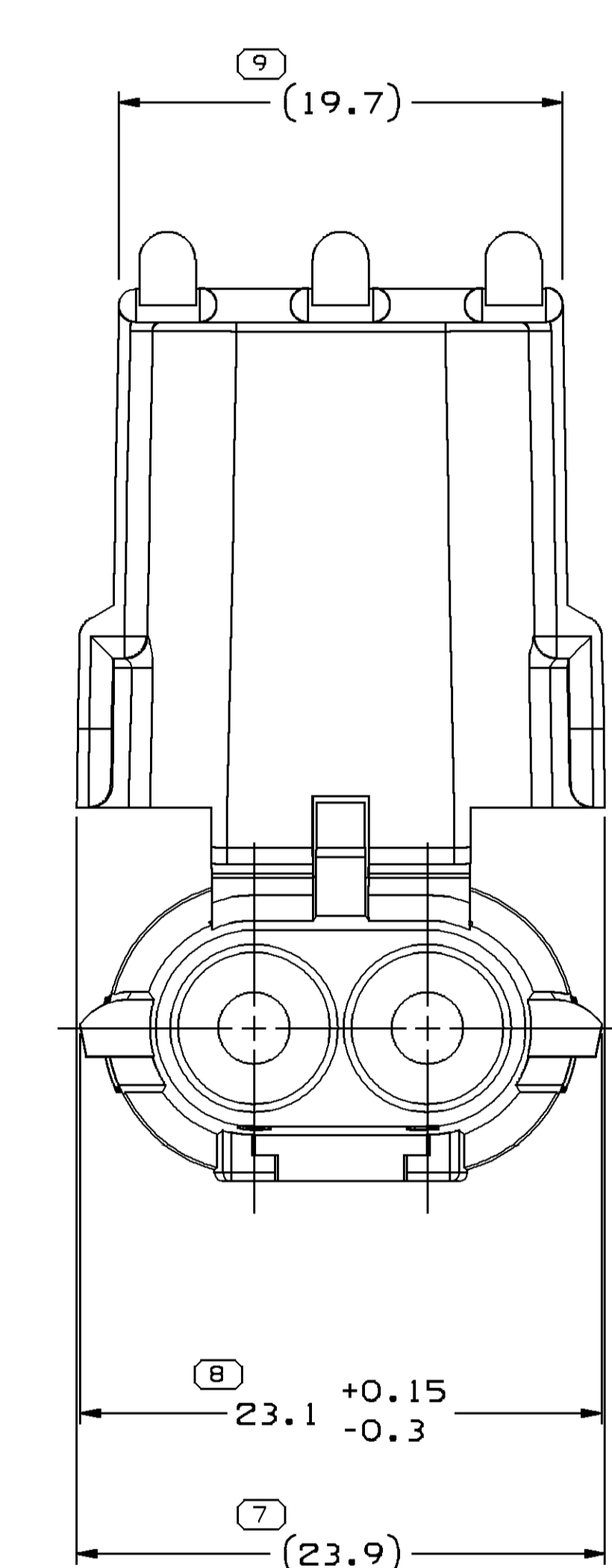
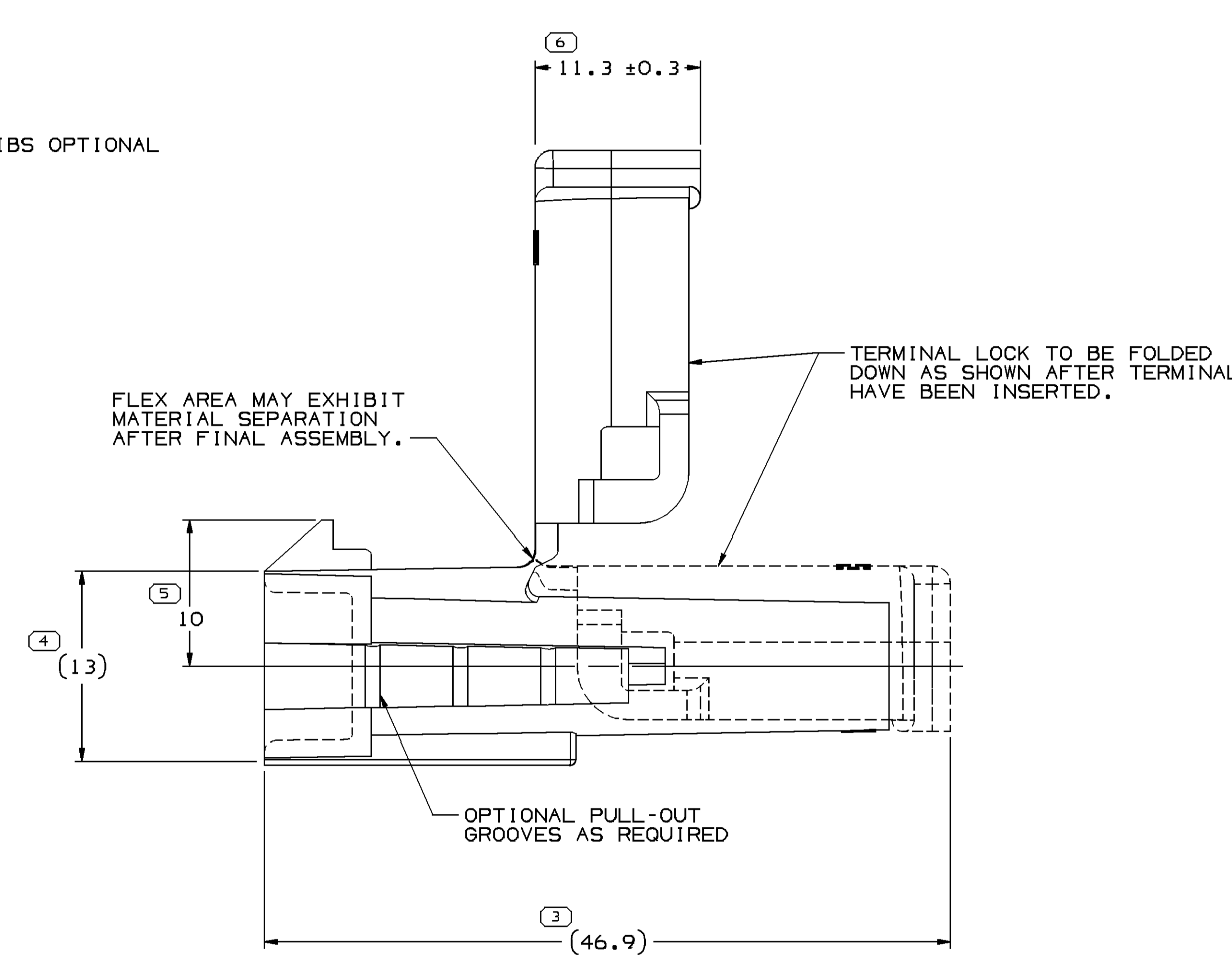
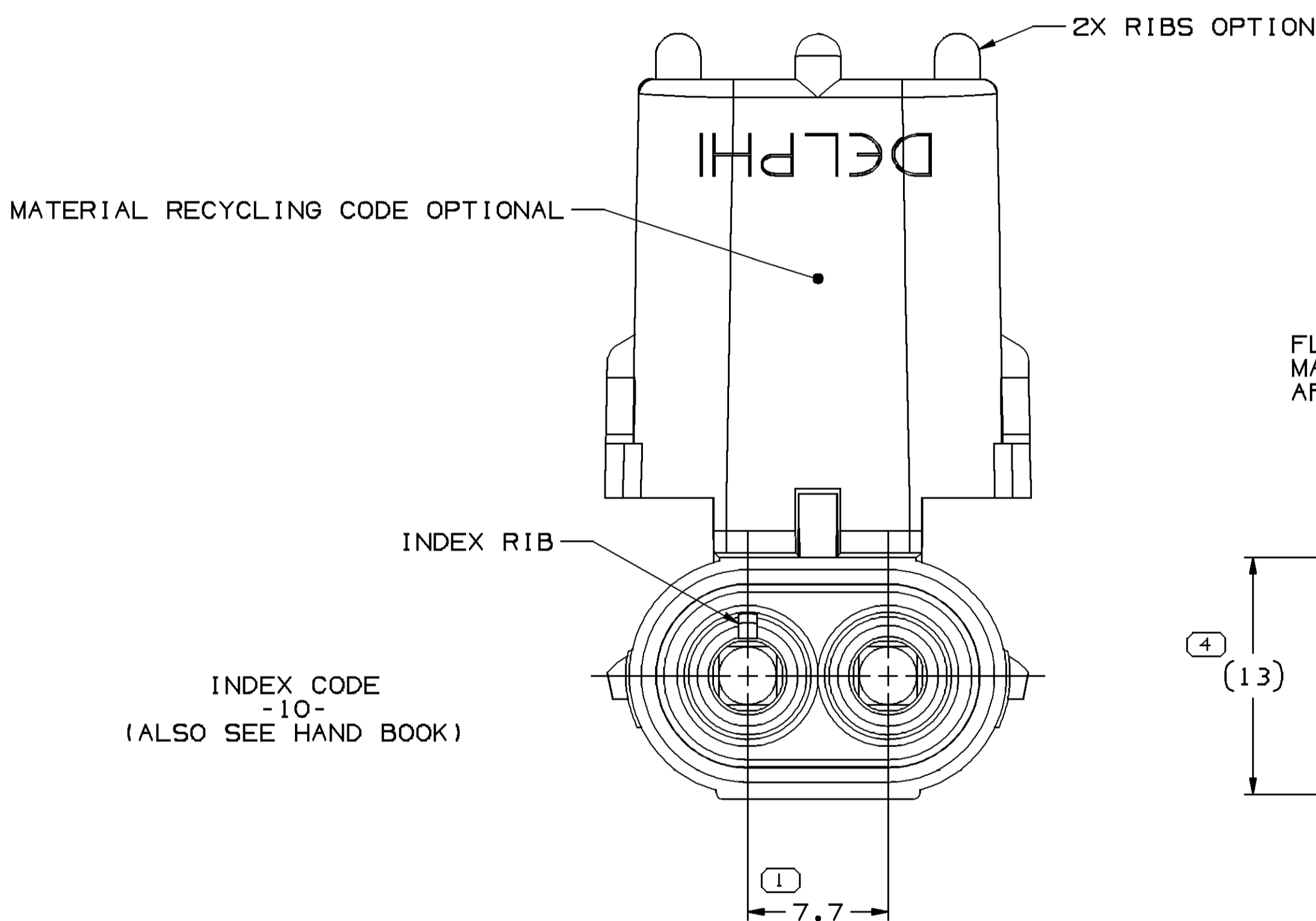


OPTIONAL CONSTRUCTION

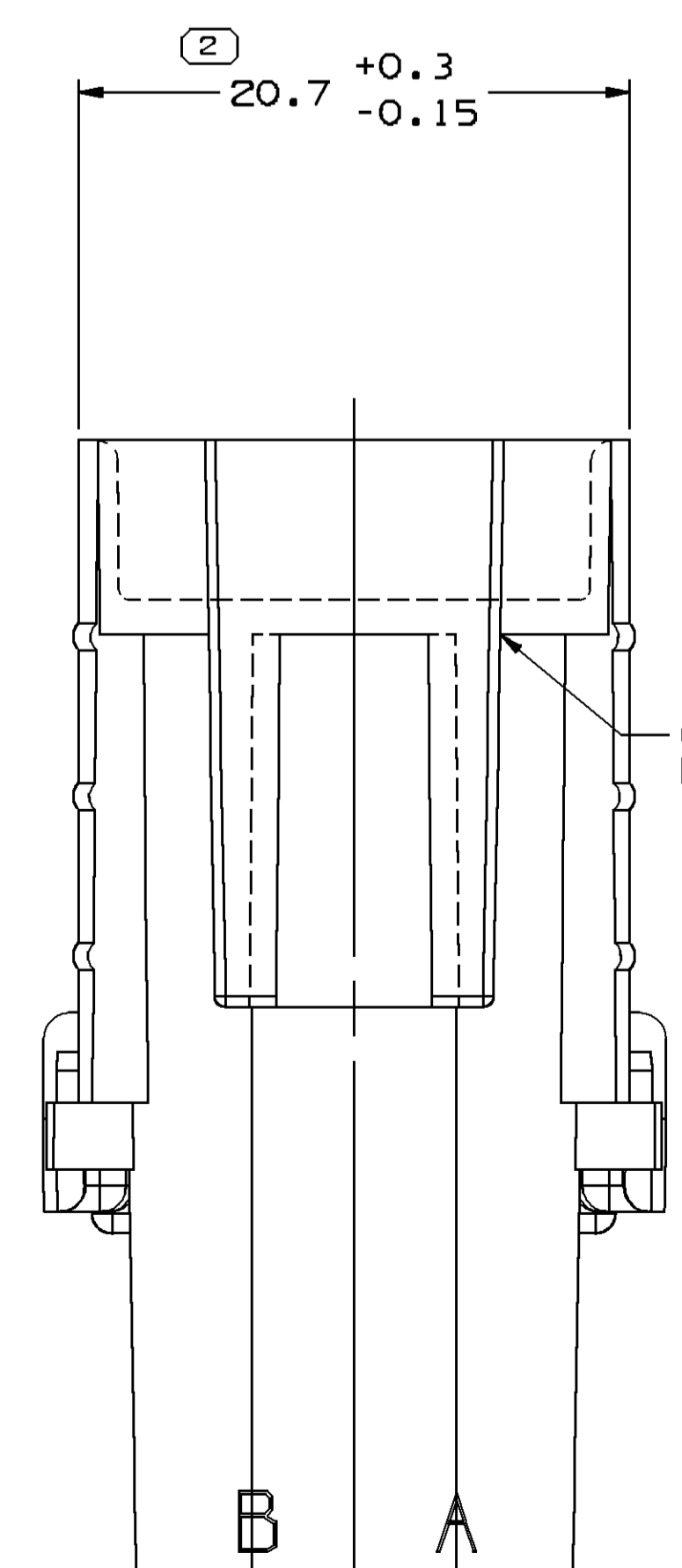


SYMBOL DEFINITION		TOTAL NO OF INSPECTIONS REQUIRED		MISSING SYMBOLS	
A	DIMENSION WITHOUT AN INSPECTION REPORT SYMBOL DOES NOT REQUIRE INSPECTION. IT MAY BE CONTROLLED ON THE INDIVIDUAL COMPONENT DRAWING.	9		9	
		LAST NO. USED			
		9			

DWS STATUS		ZONE		REVISION HISTORY		AUTH		DR		AP/VD	
DATE	STG	REV	N/P	CHG							
18JAO1	R	01	-	-		ALL PARTS - REDRAWN TO PD	205857	EOV	EOV	JA	1
10MY02	R	02	-	-		ALL PARTS - REVISED DRAFT ON FRONT LOCK AREA	225251	EOV	EOV	RC	2
11DE02	R	03	-	-		ALL PARTS - 20.7 +0.3/-0.15 WAS 20.7 +0.2/-0.15	234561	EOV	EOV	RC	
21AU03	R	04	-	-		ALL PARTS - REVISED CAVITY TO MATCH ESD & REVISED DRAFT ON FRONT LOCK AREA	244745	EOV	EOV	AM	
01JL04	R	05	-	-		ALL PARTS - REMOVED TWO OPTIONAL CONSTRUCTION VIEWS; ADDED DIM TO TD	256451	JS	JS	TM	
12AP06	R	06	-	-		ALL PARTS - UPDATED PDM ATTRIBUTES	276333	JS	JS	TM	
27DE06	R	07	-	-		12146103 - OBSOLETE	288195	MDH	FRG	GG1	
26JA07	R	08	-	-		ALL ACTIVE PARTS - REMOVED NOTE 5	400344	HCG	JVM	WTM	
08MY08	R	09	-	-		ALL PARTS - UPDATED PDM ATTRIBUTES & 12146103 - REINSTATED OBSOLETE PART & OBSOLETE	404221	HAM	TLD	RLS	
18FE10	R	10	-	-		ALL ACTIVE PARTS - 23.1 +0.15/-0.3 WAS 23.1 +0.15/-0.25	410063	LHT	LHT	LHT	
23DE11	R	11	-	-		ALL PARTS - ADDED OPTIONAL CONSTRUCTION	416552	JRV	FOO	JRV	



INDEX CODE (ALSO SEE HAND BOOK)



CLIP SLOT RAILS PERMITTED TO END HERE

- NOTES
- UNLESS OTHERWISE SPECIFIED AND/OR INDICATED: DIMENSIONS ARE TO FACE OF VIEW SHOWN AND AUTOMATICALLY ROUNDED BY COMPUTER FOR INSPECTION (SEE MATH MODEL FOR PRECISE DIMENSIONS). FOR ALL OTHER DIMENSIONS NOT SHOWN BUT REQUIRED FOR TOOL BUILD, SEE MATH MODEL FOR PRECISE TOOL PATH DATA.
  - MATERIAL RECYCLING CODE PER ISO 11469. (2.3)X(0.1) CHARACTERS AS SHOWN TO BE LOCATED ON ANY EXTERIOR SURFACE.
  - THIS PRODUCT IS NOT CATEGORIZED AS AN APPEARANCE ITEM, MINOR IMPERFECTIONS INCLUDING, BUT NOT LIMITED TO, FLOW MARKS, COLOR BLEMISHES, GATE VESTIGE, AND SOFT FLASH THAT DO NOT AFFECT THE FIT, FORM, OR FUNCTION OF THE PART ARE PERMISSIBLE PER NAP 4.10-18.
  - (2.3)X(0.1) DELPHI CORPORATE BRAND TO BE LOCATED ON ANY EXTERIOR SURFACE, PREFERABLY VISIBLE AT FINAL ASSEMBLY. OPTIONAL CONSTRUCTION FOR EXISTING TOOLING MAY BE "PED".
  - FOR APPLICATION DATA SEE THE INDIVIDUAL APPLICATION DRAWINGS.
  - CAUTION: DO NOT ATTEMPT TO COPY THIS DRAWING WHEN DESIGNING A MATING PART TO A WEATHER PACK CONNECTOR. PLEASE REQUEST THE LATEST COPY OF DRAWING NUMBER 12020084 FROM THE PACKARD ELECTRIC DIVISION.

PART NO	REV N/P	STATUS	MATERIAL SPECIFICATION AND COLOR	APPLICATION	VOL CM <sup>3</sup>
12176672	A10	-	POLYAMIDE COMPOUND GRAY	IN-LINE	5.621
12146103	A10	-	POLYAMIDE COMPOUND NATURAL	IN-LINE	5.621
12010973	F13	-	POLYAMIDE COMPOUND BLACK	IN-LINE	5.621

DIMENSIONAL RANGE (MM)	CHART	EST
FROM > 0	> 20	> 30
TO	30	70
	70	100
	100	150
	150	200
	200	250
	250	300
	300	400

**DELPHI**  
DELPHI PACKARD ELECTRICAL/ELECTRONIC ARCHITECTURE  
WARREN, OH

DATE: 18JAO1

OR: E. VAZQUEZ, J. ALVAREZ

THIS DOCUMENT IS IN ACCORDANCE WITH ASME Y14.5M-1994 AS MODIFIED BY THE 2003 SUPPLEMENT AND TELEPHONIC ADDENDUM-2001. SEPARATE PATTERNS OF FEATURES MAY BE SHOWN SEPARATELY, REGARDLESS OF DATUM REFERENCES.

ALL DIMENSIONS ARE IN MILLIMETERS

REFERENCE: TAXI CONN M W/P SHD SLD

DRAWING NUMBER: 12146288

SHEET NO: 1 OF 1