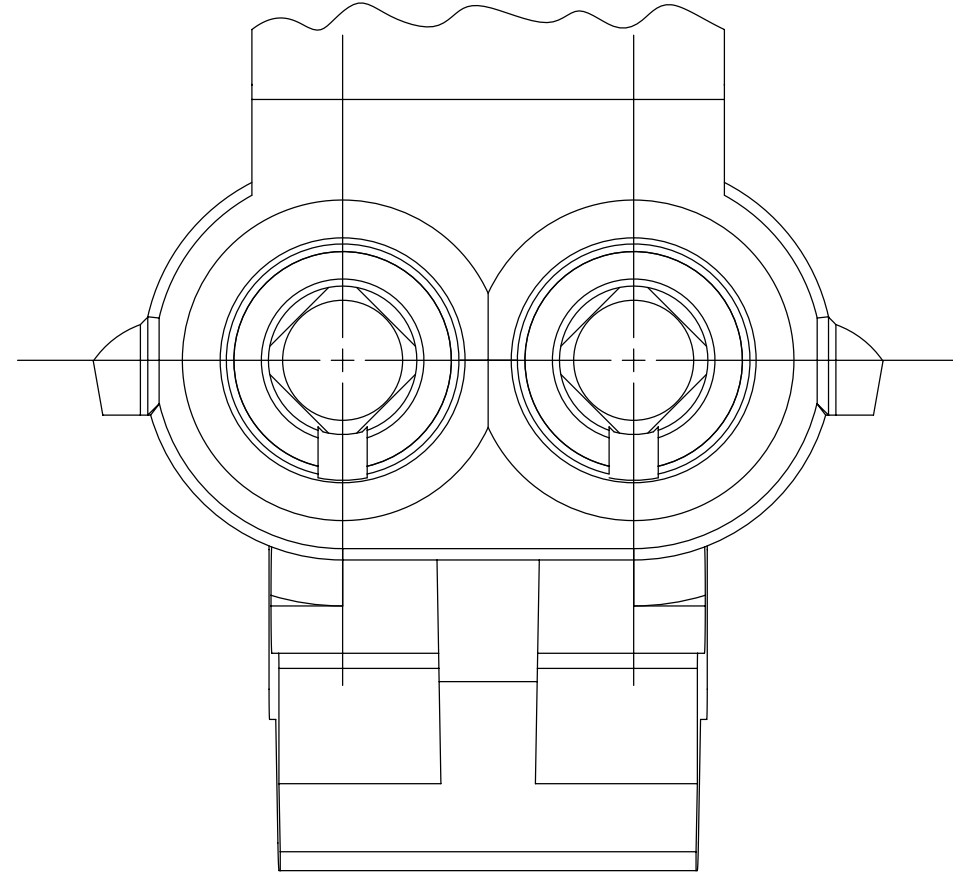
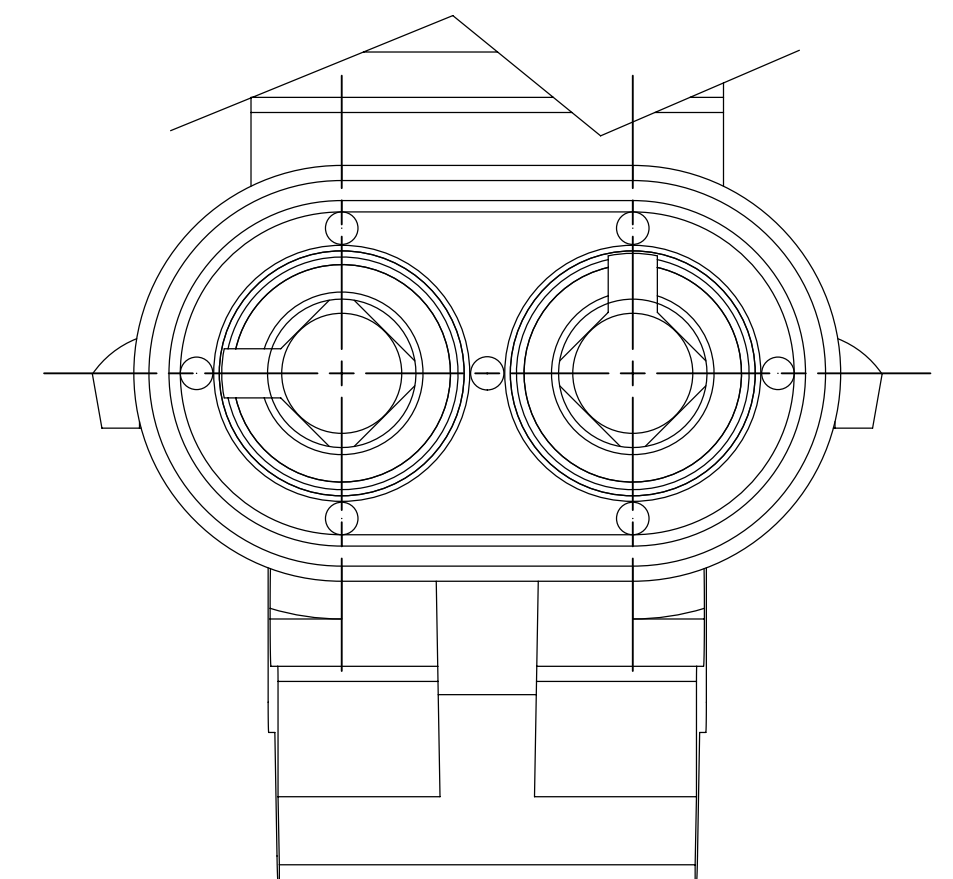


INDEX CODES
(ALSO SEE HANDBOOK)



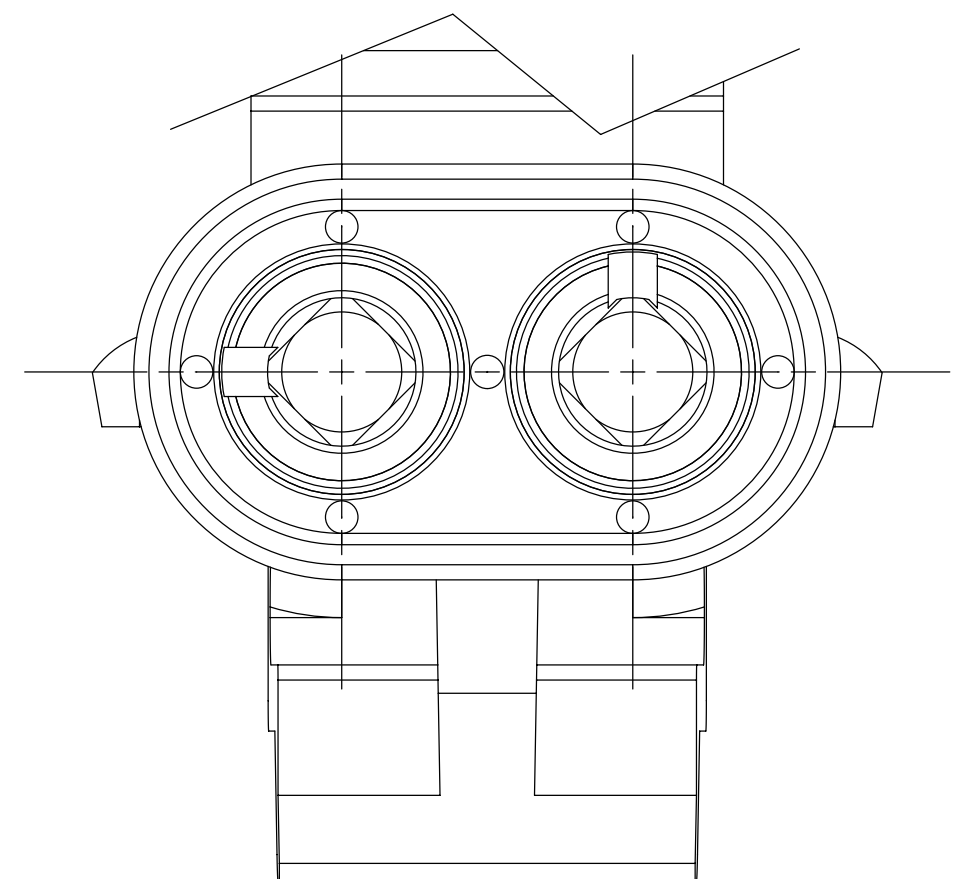
INDEX CODE
-11-

TYPE 102
SAME AS TYPE 101
EXCEPT AS SHOWN



INDEX CODE
-32-

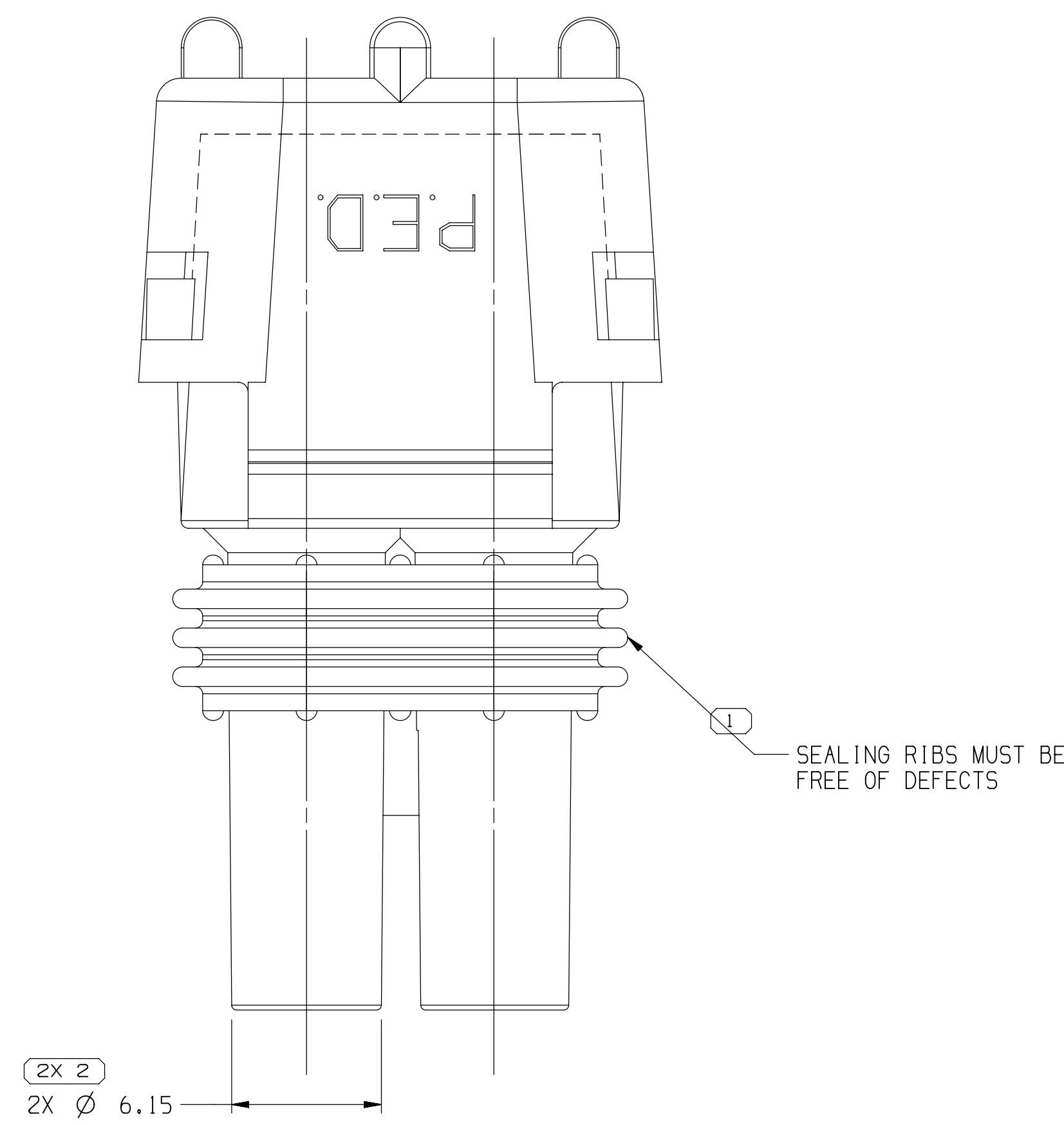
TYPE 104
SAME AS TYPE 101
EXCEPT AS SHOWN



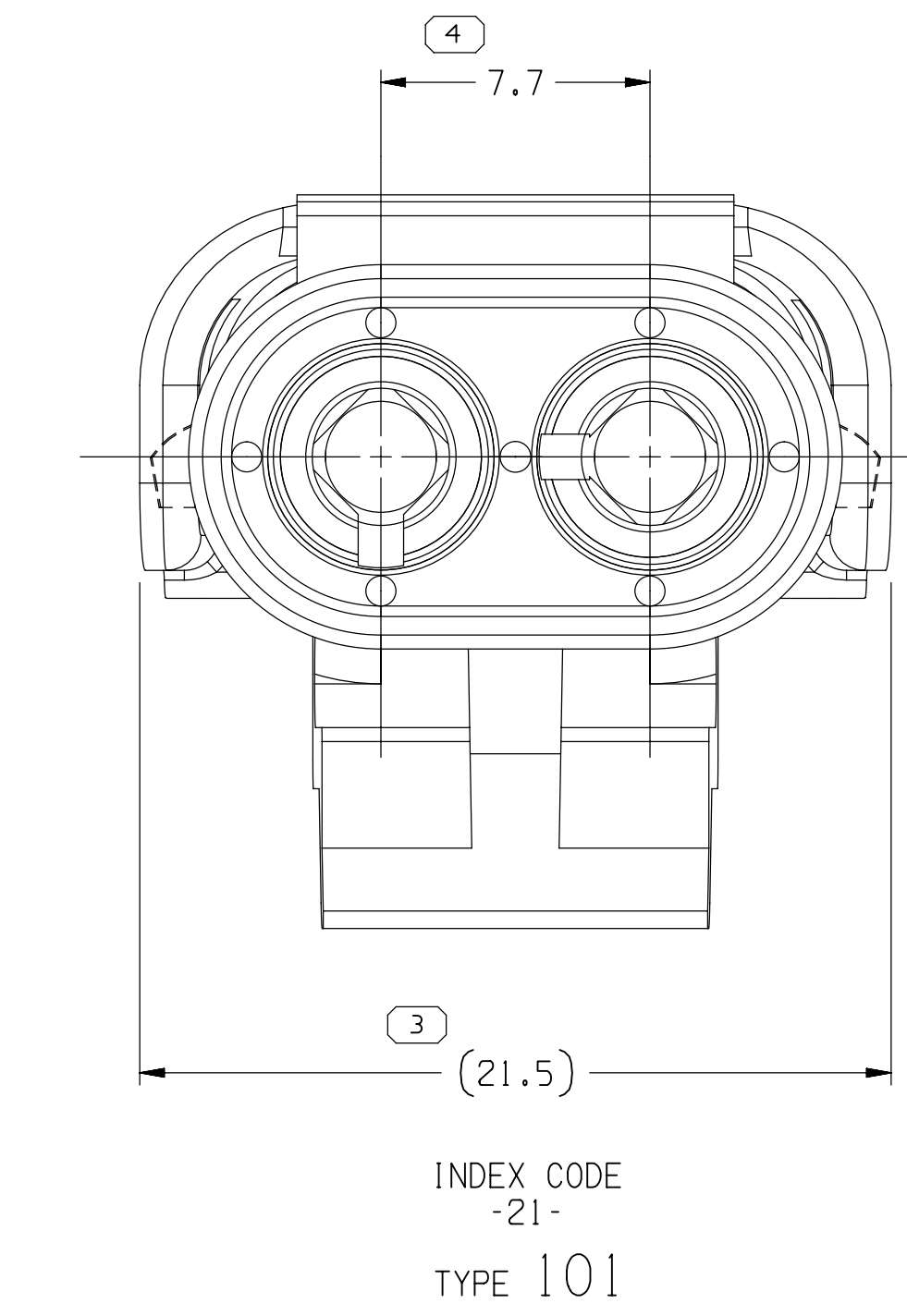
INDEX CODE
-32-

TYPE 105
SAME AS TYPE 101
EXCEPT AS SHOWN

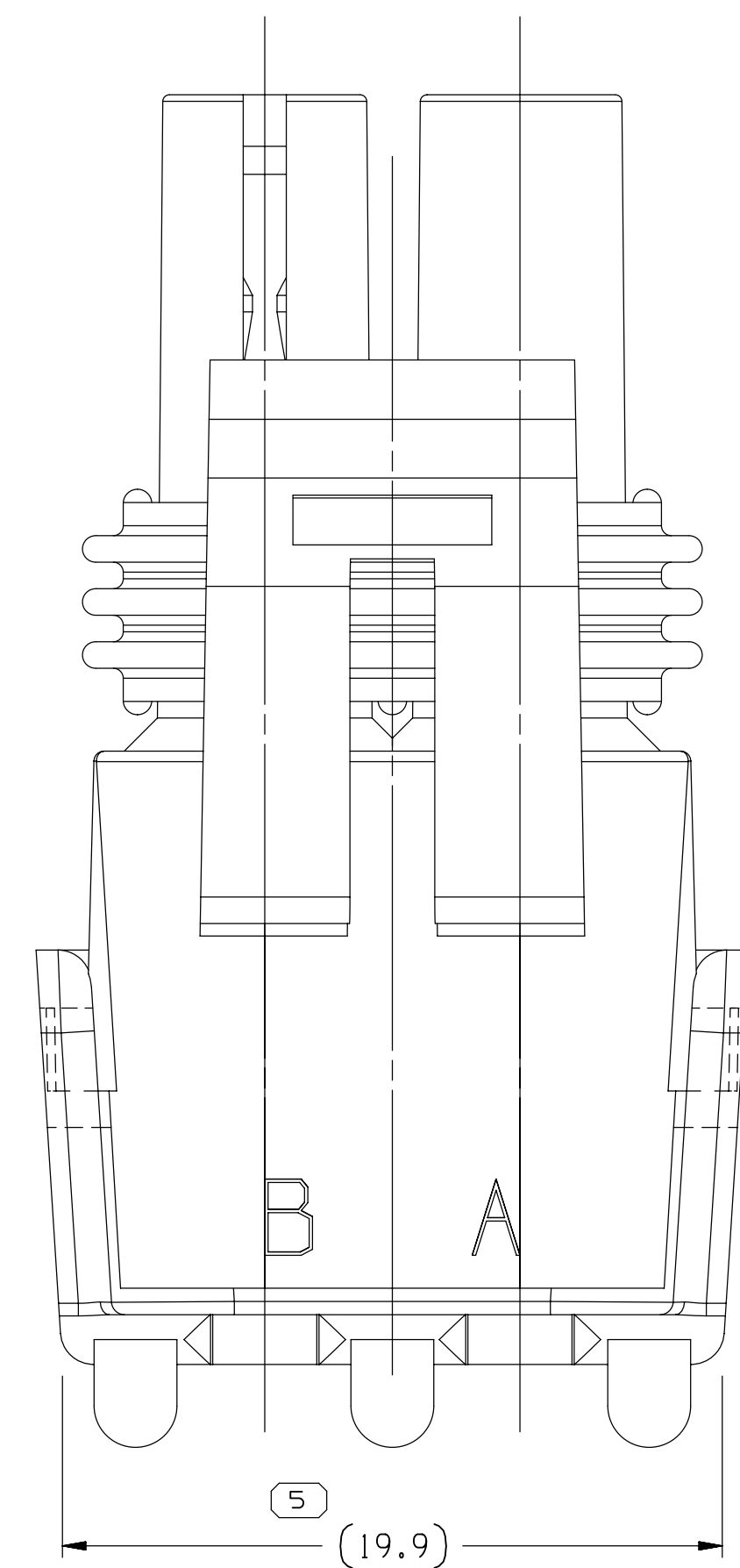
INDEX SLOT ARRANGEMENT



2X 2
2X Ø 6.15



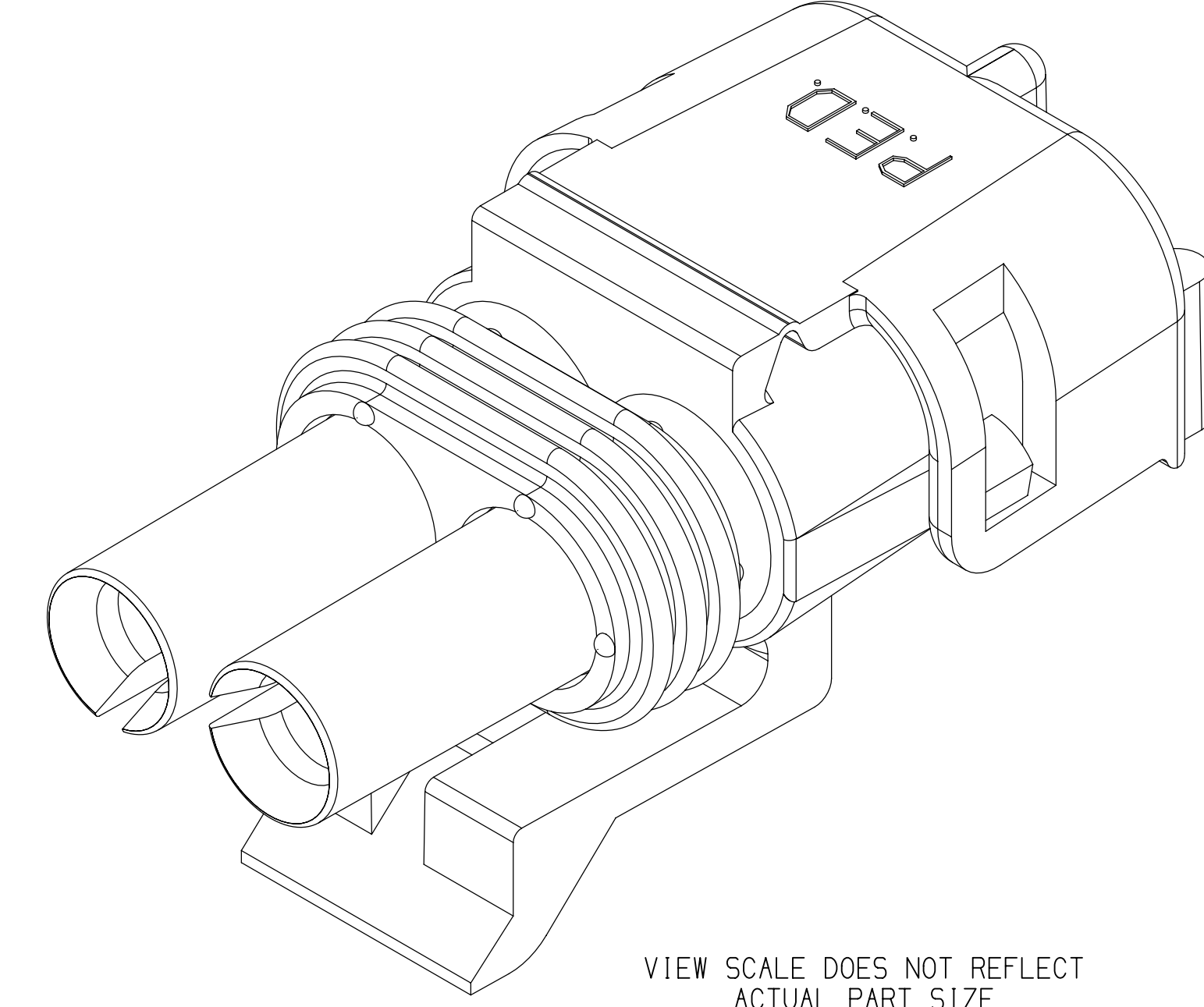
INDEX CODE
-21-
TYPE 101



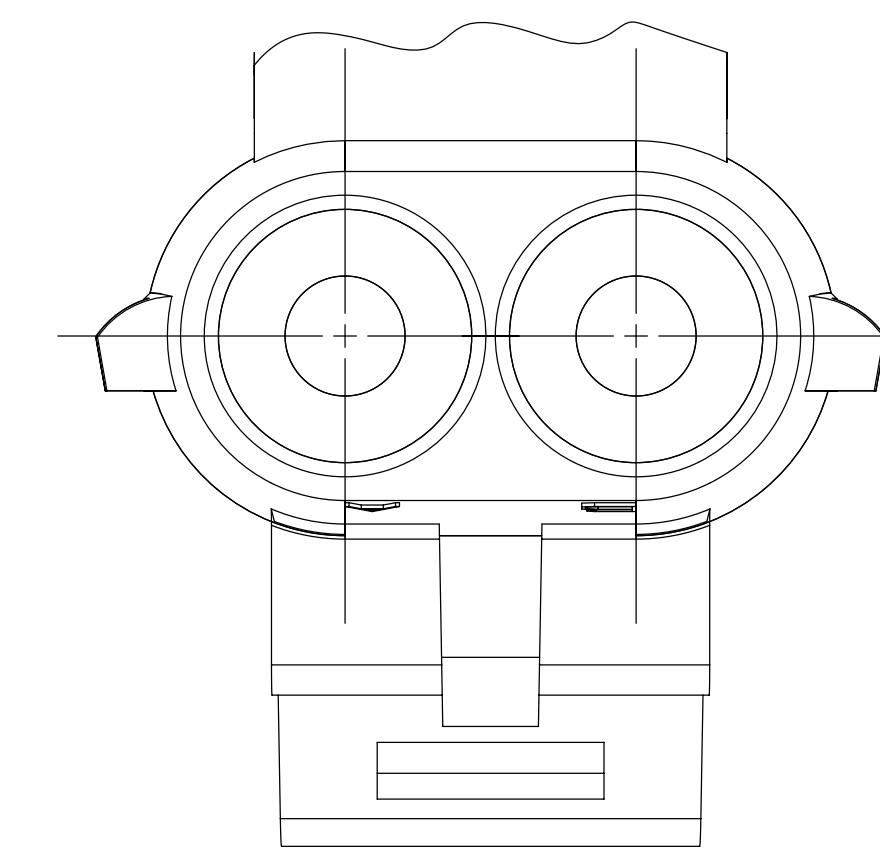
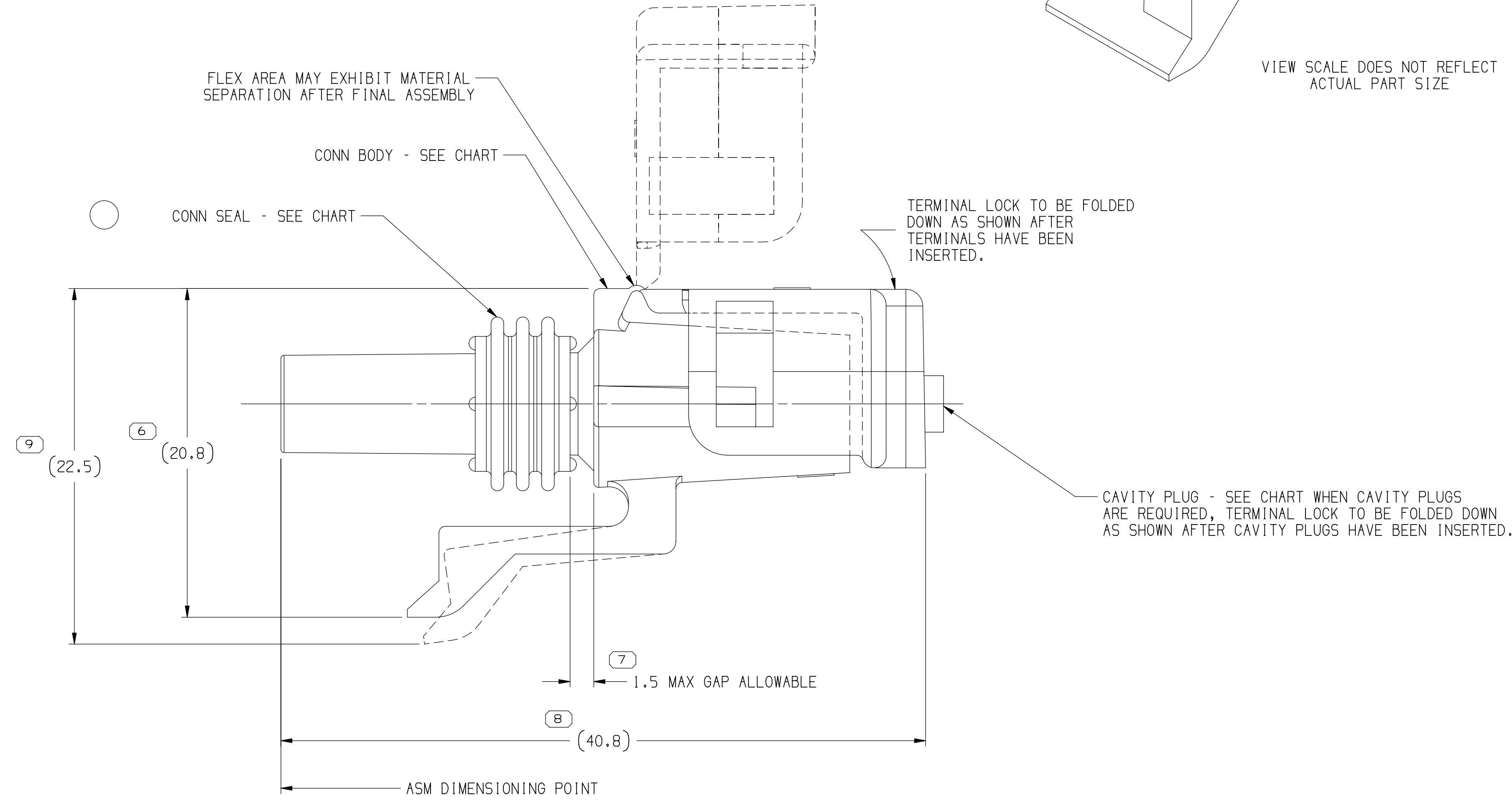
5
(19.9)

SYMBOL DEFINITION		TOTAL NO OF INSPECTIONS REQUIRED	MISSING SYMBOLS
A DIMENSION WITHOUT AN INSPECTION REPORT SYMBOL DOES NOT REQUIRE INSPECTION. IT MAY BE CONTROLLED ON THE INDIVIDUAL COMPONENT DRAWING.		10	NO MISSING SYMBOL NUMBER
		LAST NO. USED	9

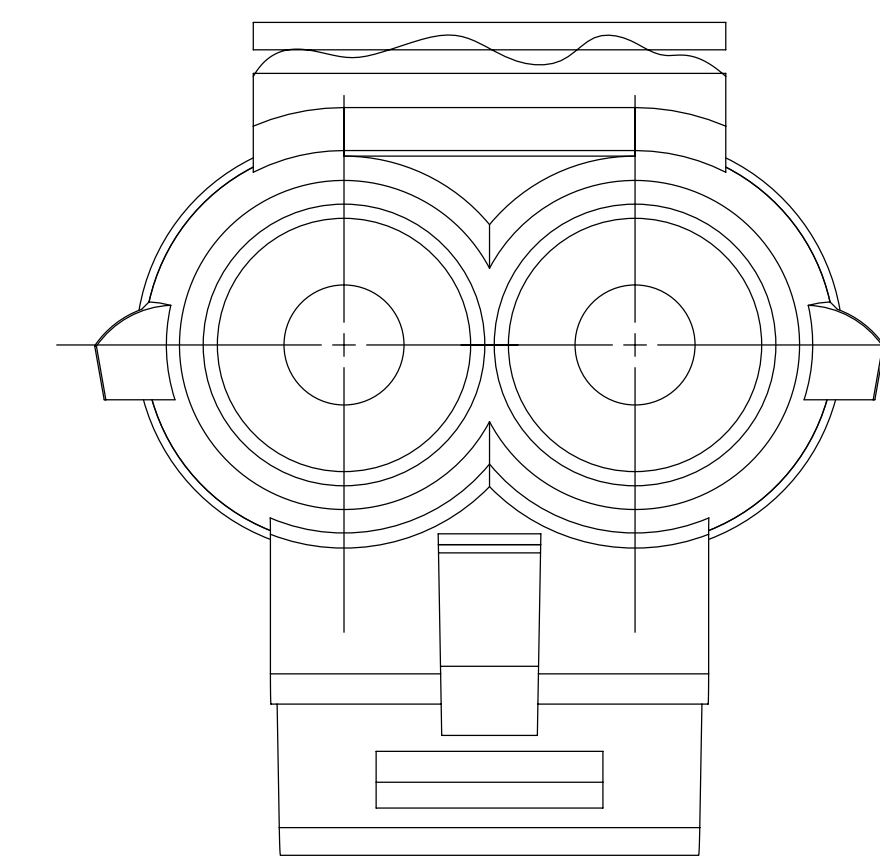
DWG STATUS				ZONE	REVISION HISTORY		AUTH	DR	APVD	APVD
DATE	STG	REV	N/P	CHG						
11DE01	R	07	-	-	CLEARED REVISION COLUMN AND ALL PARTS - REDRAWN TO PD		218242	AMG	AMG	RC
26JL06	R	08	-	-	12103584 - UPDATED PDM ATTRIBUTES		283016	JBD	AUG	EJH
04DE19	R	09	-	-	35417674 & 75 - RELEASED; ALL ACTIVE PARTS - ADDED "APPLICATION DRAWING" NOTE		550630	AGC	AGC	VRG



VIEW SCALE DOES NOT REFLECT ACTUAL PART SIZE



STANDARD CONSTRUCTION



OPTIONAL CONSTRUCTION

CABLE END VIEW OF CONN BODY

NOTES

- UNLESS OTHERWISE SPECIFIED AND/OR INDICATED: DIMENSIONS ARE TO FACE OF VIEW SHOWN AND AUTOMATICALLY ROUNDED BY COMPUTER FOR INSPECTION (SEE MATH MODEL FOR PRECISE DIMENSIONS). FOR ALL OTHER DIMENSIONS NOT SHOWN BUT REQUIRED FOR TOOL BUILD, SEE MATH MODEL FOR PRECISE TOOL PATH DATA.
- USE FEMALE TERMINAL 12089188 OR EQUIVALENT FOR "IN-LINE" APPLICATIONS. USE MALE TERMINAL 12089040 OR EQUIVALENT FOR "PANEL MOUNT" APPLICATIONS.
- USE CABLE SEAL 12015323 OR EQUIVALENT.
- WHEN PARTS ARE SHIPPED, THEY MUST PACKED IN PLASTIC BAGS OR SHIPPING CONTAINERS MUST BE LINED WITH PLASTIC LINERS. BAGS OR LINERS MUST BE SEALED TO AVOID ENTRY OF FOREIGN MATTER.
- SEALING CODE 3 - DESIGN WILL PASS SALT FOG AND IMMERSION TEST AFTER CONDITIONING AS SPECIFIED IN ESA-644 (WEATHER-PACK), ESA-710 (METRI-PACK), (WORLD CONNECTOR), ETC WHEN MATED TO MATING PART OR EQUIVALENT.
- WHEN DESIGNING A PART TO MATE TO THIS WEATHER PACK CONNECTOR, REQUEST THE LATEST COPY OF DRAWING NUMBER 12020084 FROM THE PACKARD ELECTRIC DIVISION.
- FOR APPLICATION DATA SEE THE INDIVIDUAL APPLICATION DRAWINGS.

PART NO	REV	N/P	CONN BODY	SEAL CONN	STANDARD DESCRIPTION	APPLICATION	REF: TERMINAL/GENDER	TYPE	CAVITY PLUGS	MATING PART
35417675	01	-	35417673	12010155	ASM CONN 2 F W/P TWR	IN-LINE	12089188/FEMALE	104	-	12010973
35417674	01	-	35417672	12010155	ASM CONN 2 M W/P TWR	DEVICE	12089040/MALE	105	-	12010973
12103584	A4	-	12103583	12010155	ASM CONN 2M W/P TWR	DEVICE	12089040/MALE	101	-	12010973
12047672	A4	-	12015782	12010155	ASM CONN 2 W/P TWR	BLOCK-OFF	NONE	101	12010300-2 PLCS FOLD COVER	12010973
12045898	A4	-	12047690	12010155	ASM CONN 2F W/P TWR	IN-LINE	12089188/FEMALE	101	-	12146102
12020728	A	-	12020777	12010155	ASM CONN 2M W/P TWR	DEVICE	12089040/MALE	102	-	12010973
12015792	A4	-	12015782	12010155	ASM CONN 2F W/P TWR	IN-LINE	12089188/FEMALE	101	-	12010973

DIMENSIONAL RANGE (MM)		CHART E1	
FROM	TO	TOLERANCE	ANGULAR TOLERANCE
> 0	> 30	±0.1	±2°
> 30	> 70	±0.15	±2°
> 70	> 100	±0.2	±2°
> 100	> 150	±0.3	±2°
> 150	> 200	±0.4	±2°
> 200	> 250	±0.5	±2°
> 250	> 300	±0.6	±2°
> 300	> 400	±0.8	±2°

THIRD ANGLE PROJECTION	DO NOT SCALE	USE MATH DATA

APTIV
CONNECTION SYSTEMS
WARREN, OH
COPYRIGHT 1984 APTIV. ALL RIGHTS RESERVED.
THIS DRAWING IS THE PROPERTY OF APTIV AND CONTAINS APTIV CONFIDENTIAL INFORMATION. THE REPRODUCTION, DISTRIBUTION AND UTILIZATION OF THIS DOCUMENT OR ITS RELATED CAD DATA, AS WELL AS COMMUNICATION OF ANY CONTENT TO OTHERS, WITHOUT EXPRESS AUTHORIZATION, IS PROHIBITED.

DRAWING NUMBER: 12047691
SIZE: A0
SCALE: 5:1
FRAME NO: 1 OF 1
SHEET NO: 1 OF 1
STG REV N/P: 09