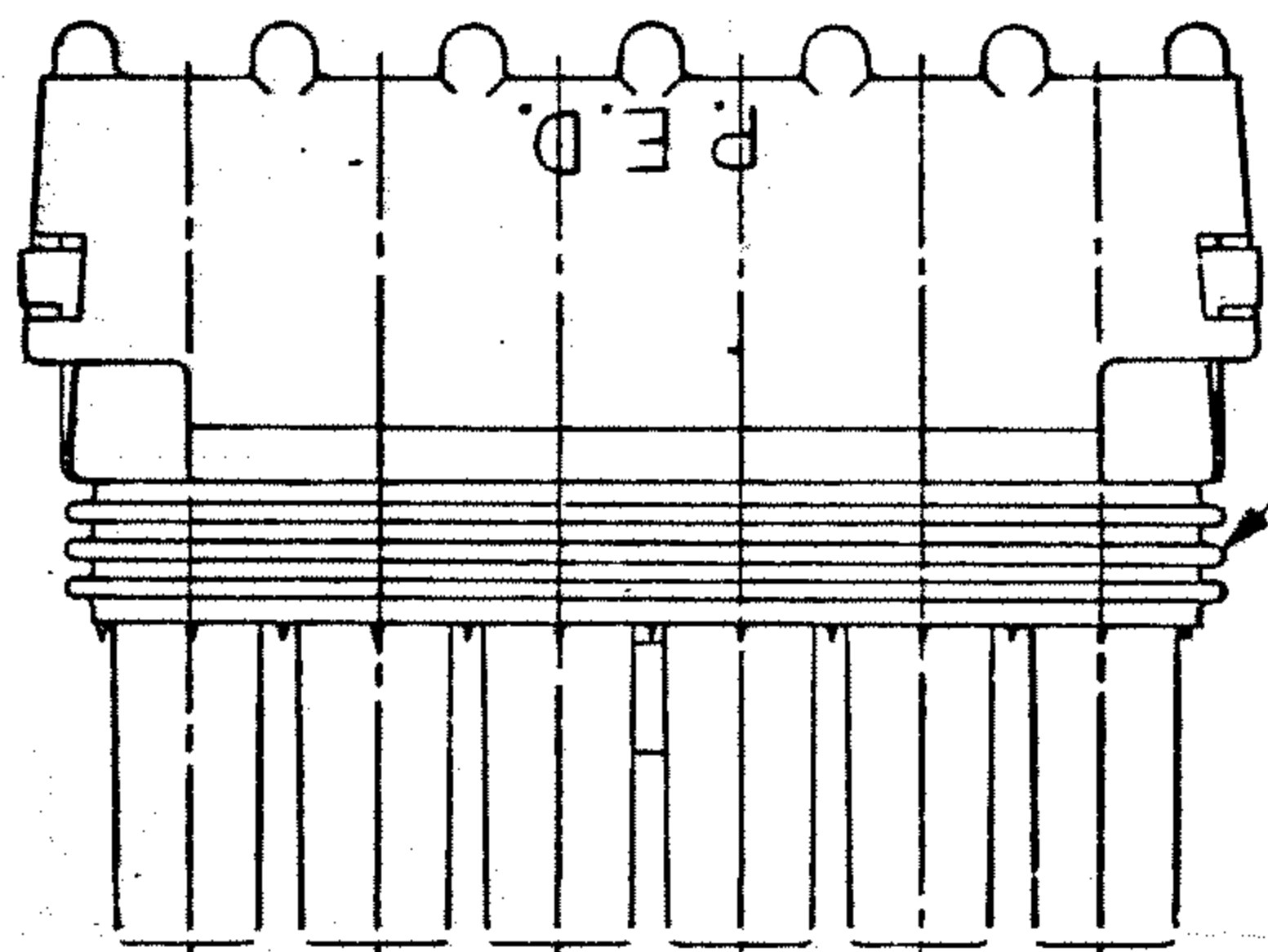
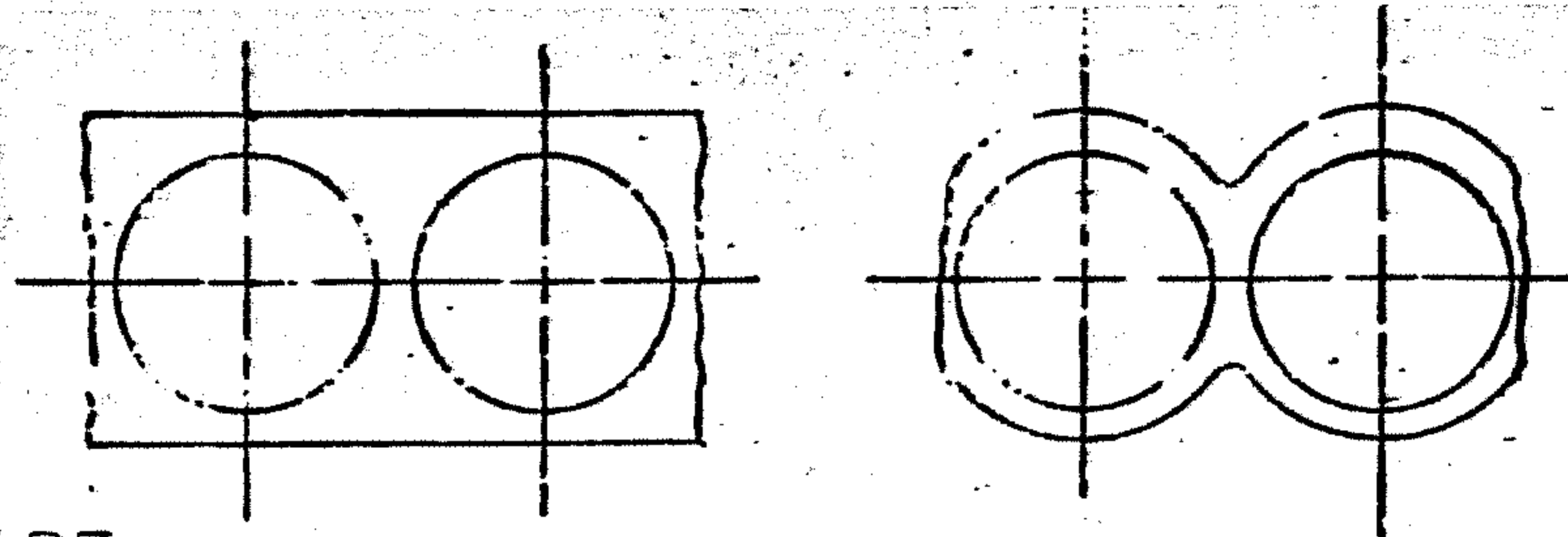


DO NOT SCALE

THIS DRAWING AND DESIGN HEREON CONSTITUTE A PROPRIETARY DESIGN OF PACKARD ELECTRIC DIVISION AND IS NOT TO BE DUPLICATED OR REPRODUCED WITHOUT AUTHORITY OF PACKARD ELECTRIC DIVISION.

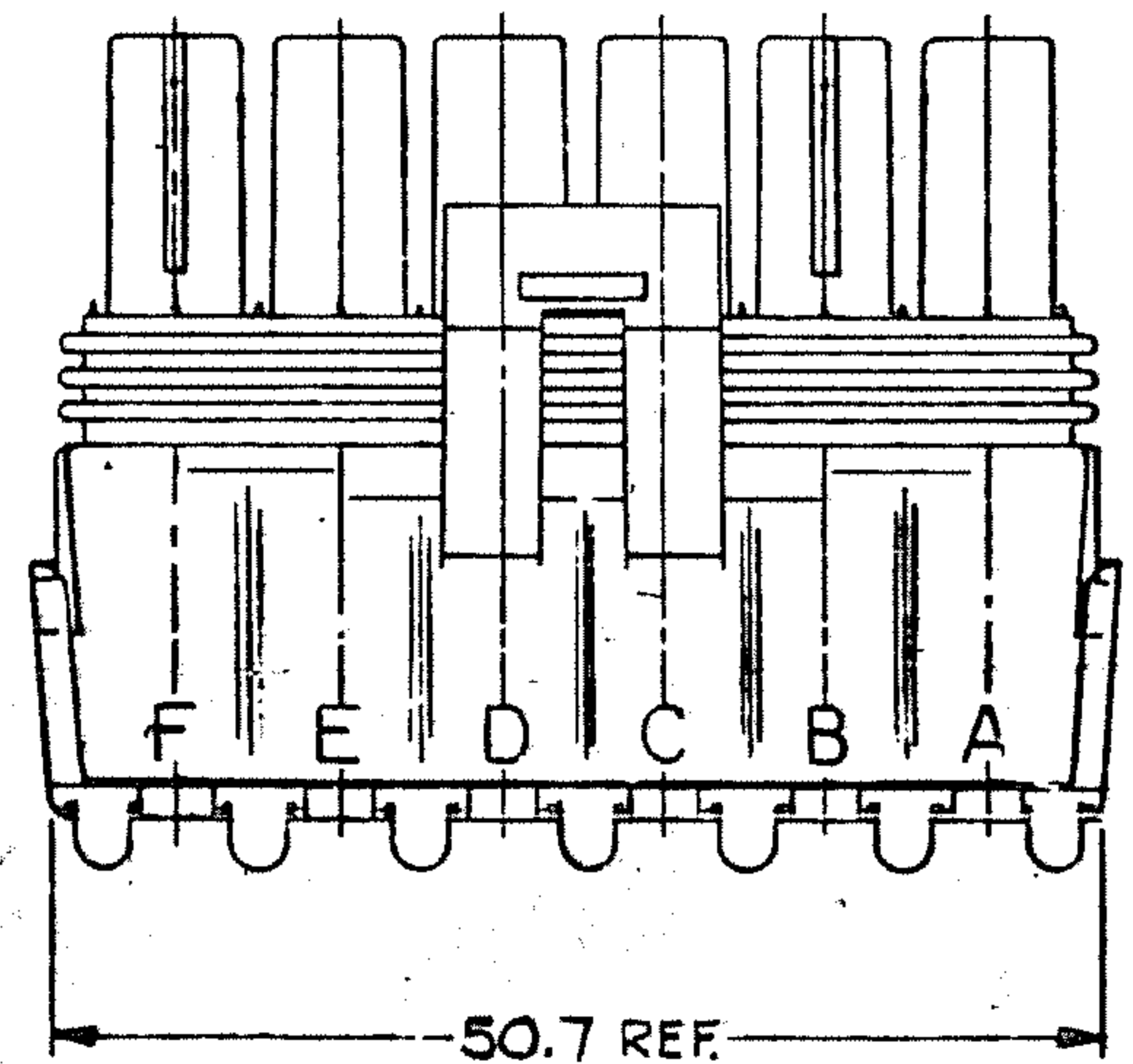
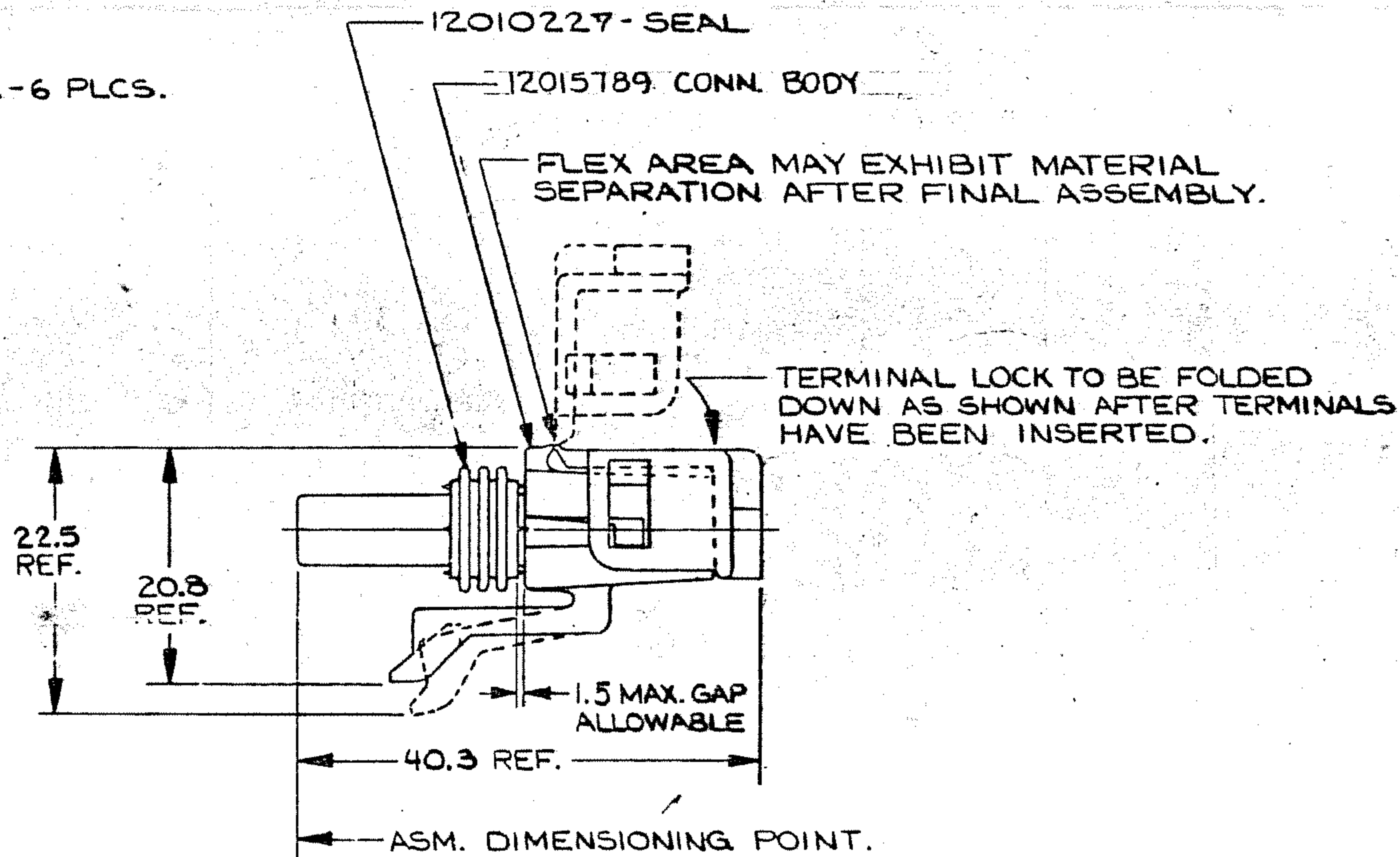
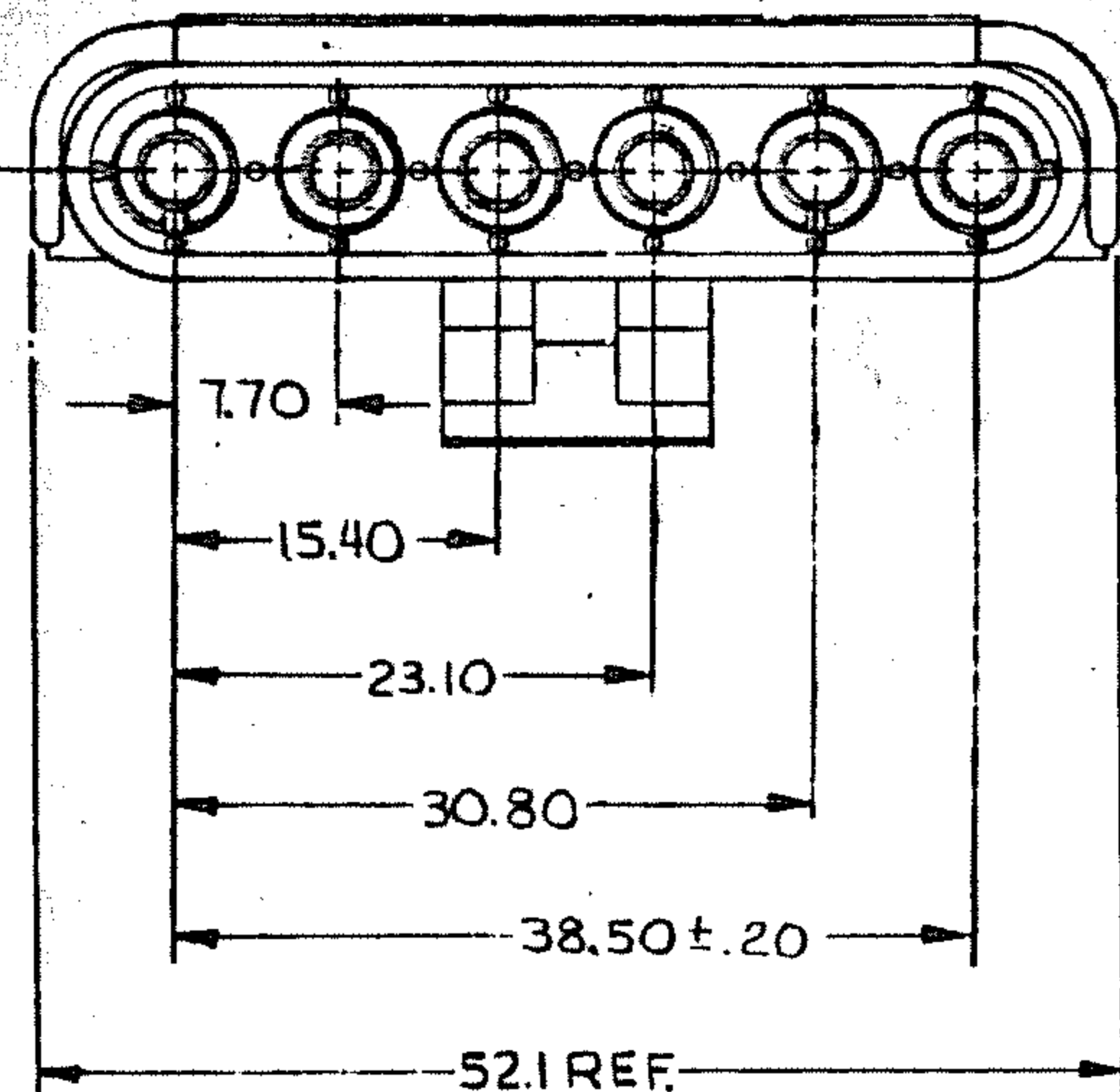


SEALING RIBS MUST BE FREE OF DEFECTS



CABLE END VIEW OF CONN. BODY

6.15 DIA. - 6 PLCS.



DATE	SYM.	REVISION RECORD	AUTH	DR.	CK.
05MY80	A	RELEASED	80005	JH	JM
09FE81	-	ADDED STANDARD & OPTIONAL CONST. VIEWS	75211	DB	JK
21JA82	-	38.50 ± .20 DIM WAS 38.50 ± .15	79596	DB	JK
19JL83	-	1.5 MAX. WAS 1.0 MAX.	85923	FW	JK
11SE87	-	REVISED NOTE #1 & ADDED NOTE #5	115623	TR	JK
21OC87	-	REVISED TERMINAL NOTE	116529	JH	JM

PART NO. 1201 5199

METRIC
DIMENSIONS ARE IN MILLIMETRES
UNLESS OTHERWISE SPECIFIED

- NOTES** —
1. USE FEMALE TERMINAL 12034051 OR EQUIVALENT FOR "IN-LINE" APPLICATIONS. USE MALE TERMINAL 12033674 OR EQUIVALENT FOR "PANEL MOUNT" APPLICATIONS.
 2. USE CABLE SEAL 12015323 OR EQUIVALENT.
 3. MATING CONNECTOR - DELCO ELECTRONIC PART #16008965 OR EQUIVALENT.
 4. WHEN PARTS ARE SHIPPED, THEY MUST BE PACKED IN PLASTIC BAGS OR SHIPPING CONTAINERS MUST BE LINED WITH PLASTIC LINERS. BAGS OR LINERS MUST BE SEALED TO AVOID ENTRY OF FOREIGN MATTER.
 5. SEALING CODE 3.

P. N. C. CODE	
CODE NO. 6900	TOLERANCE UNLESS OTHERWISE SPECIFIED DECIMAL ANGULAR ± 2° TWO PLACE ± 0.15 ONE PLACE ± 0.3
QC-C-5110	
DWG. DATE 05MY80	SCALE NONE DR. Coye E. Roberts 05MY80
EST. NO.	DATE 06MY80
REFERENCE NO.	DATE 07MY80
MATERIAL SPEC.	DATE 07MY80
SEE DWG.	
NAME ASM CONN 6M/E W/P TWR	
PART NO. 1201 5199	SIZE C

PACKARD ELECTRIC DIVISION
GENERAL MOTORS CORPORATION
WARREN, OHIO

7A
6-V
AA
99

C/M NISAN