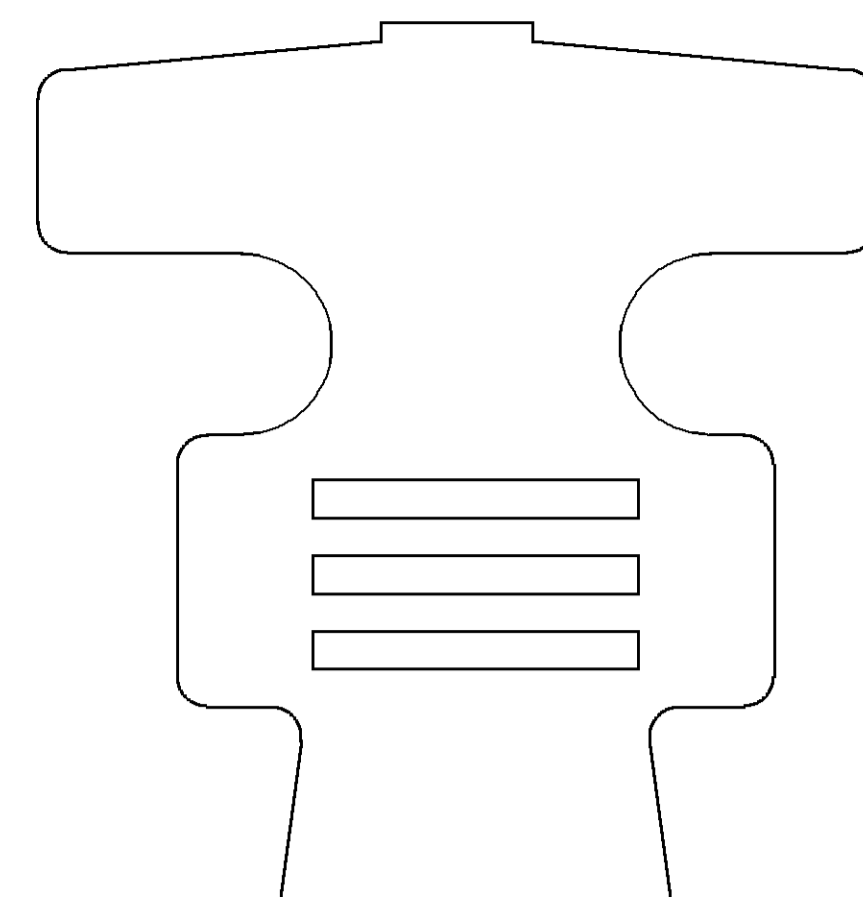
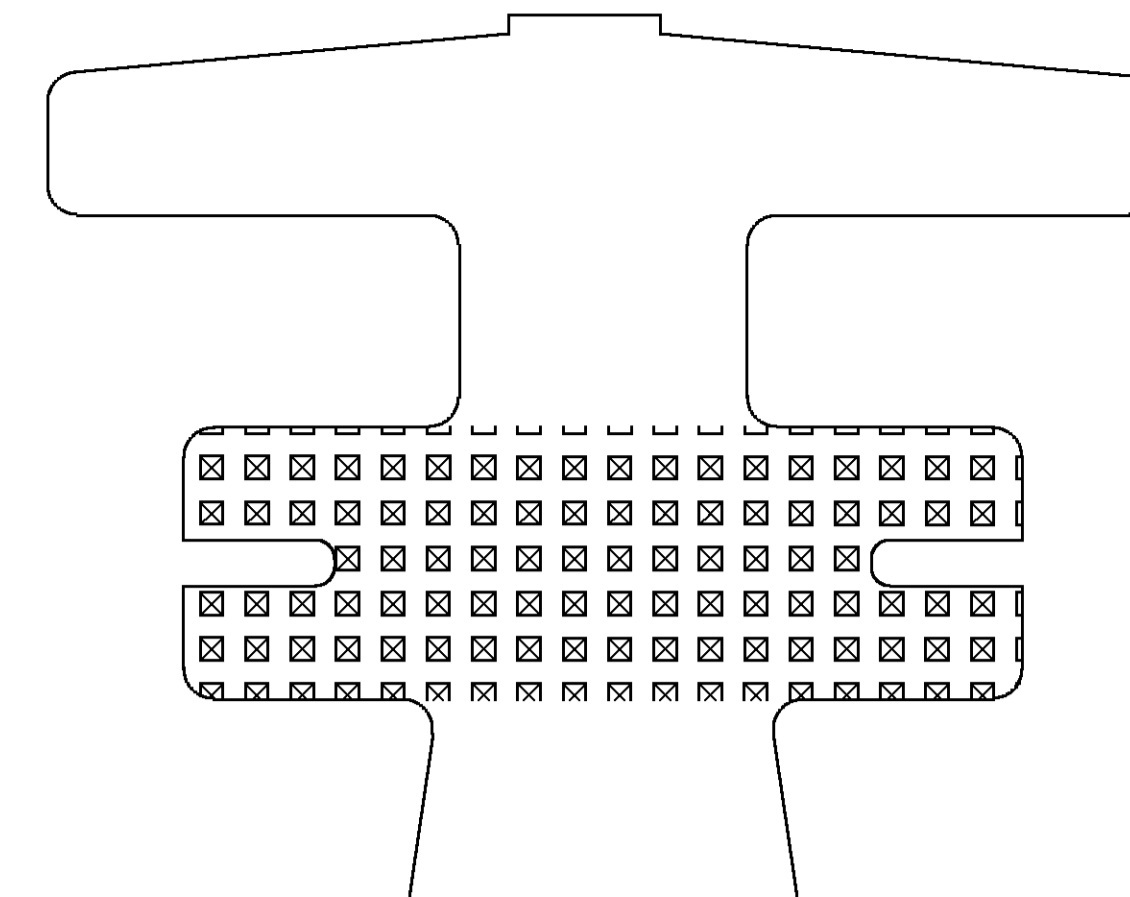


TYPE 101
SCALE 10:1




TYPE 102
SCALE 10:1

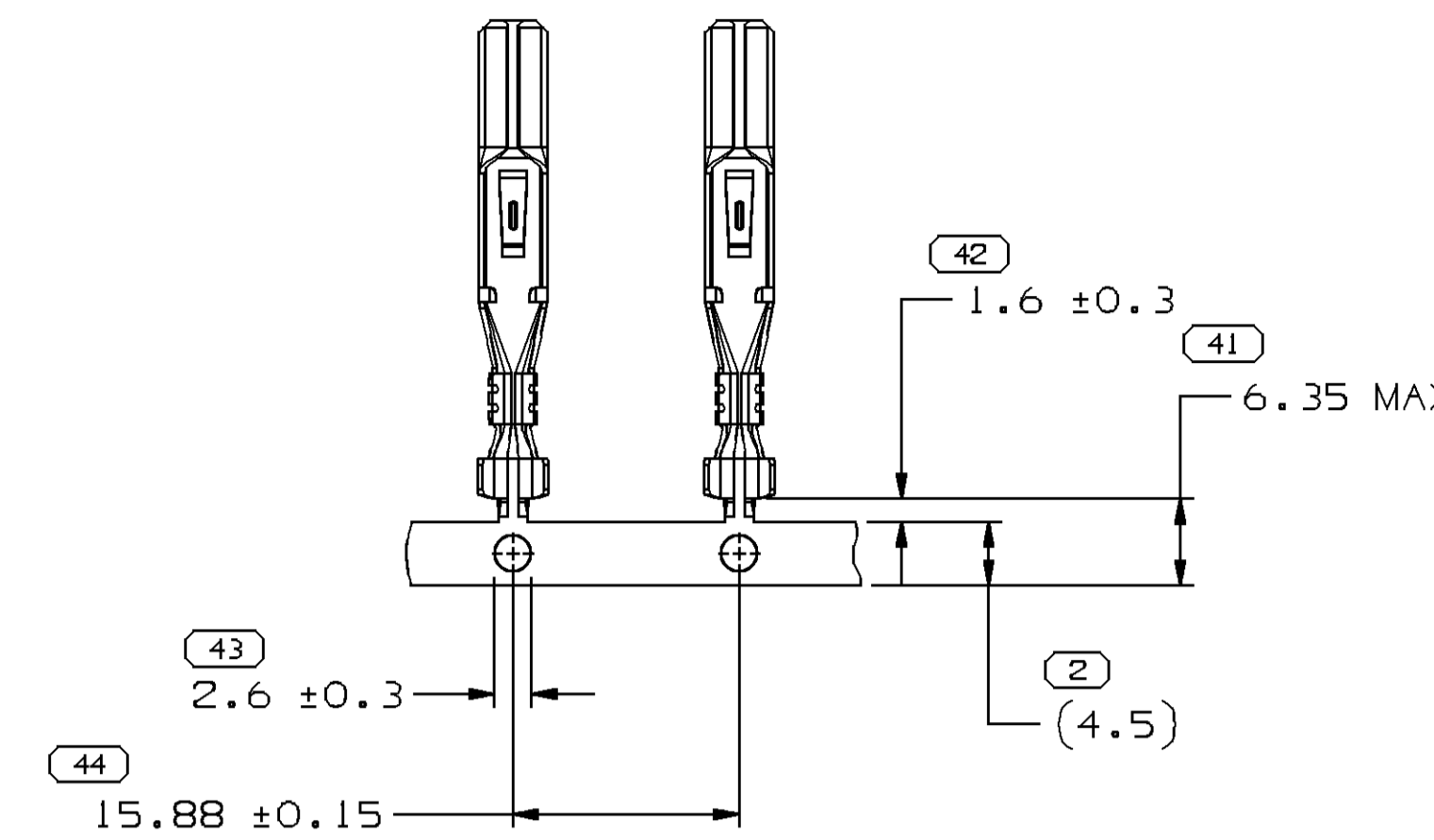


TYPE 103
SCALE 10:1

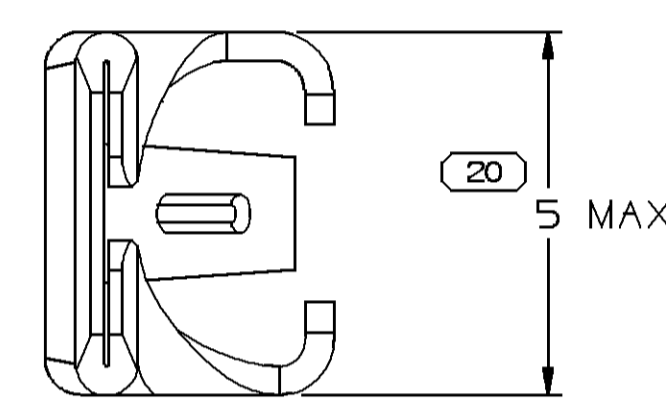
BLANK VIEWS

SYMBOL DEFINITION		MISSING NUMBERS	
THE NUMBER INSIDE THE SYMBOL  CORRESPONDS TO THE NUMBER ON THE INSPECTION REPORT FOR THIS DRAWING/PART NUMBER	TOTAL NO. OF SYMBOLS ON DRAWING	24	
	LAST NO. USED	44	

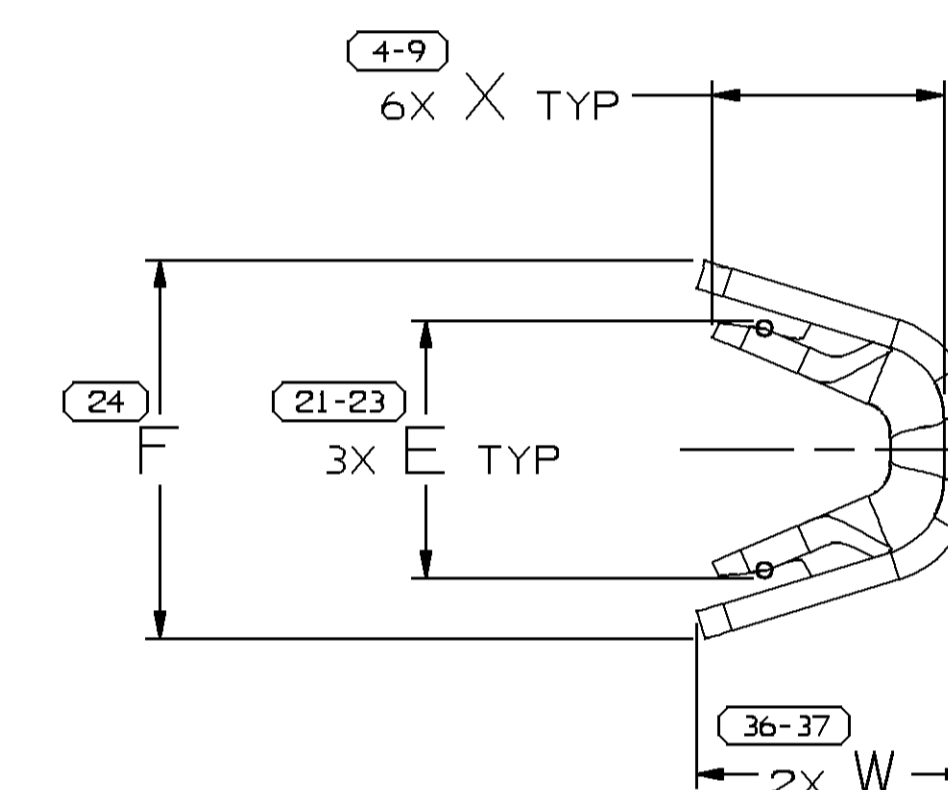
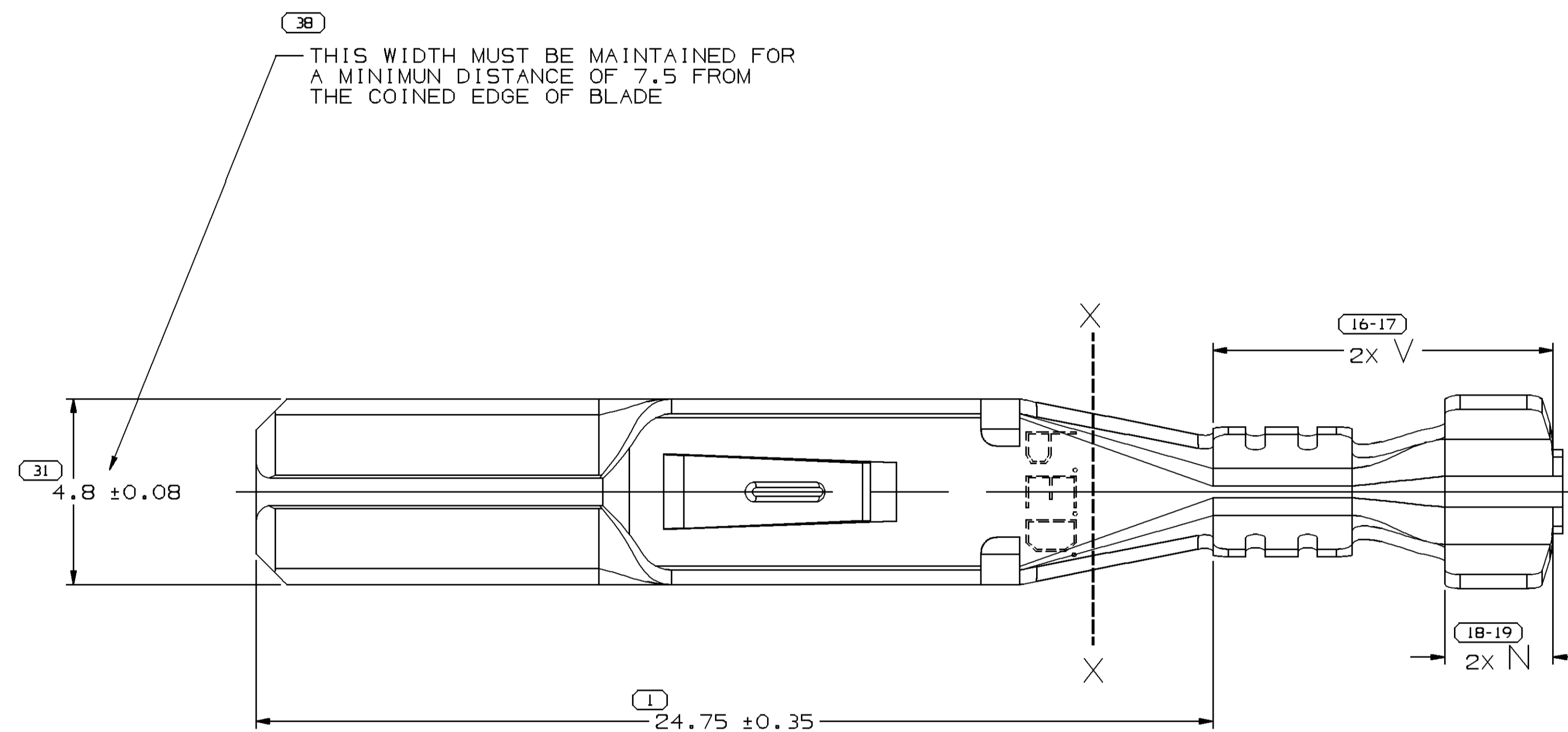
DWG STATUS		REVISION HISTORY		AUTH		DR		APVD/APVD	
DATE	STG	REV	N/P	CHG	ZONE				
29MR00	R	01	-	-		196857	060	RCH	JH
10MY01	R	02	-	-		209338	JYD	EGR	JH
21OC02	R	03	-	-		231661	EAR	EAR	JH
21OC02	R	04	-	-		232037	EAR	EAR	JH
09DE03	R	05	-	-		248617	MJM	MJM	BS
19AP07	R	06	-	-		400958	END	END	BOG
07AU12	R	07	-	-		419204	JAR	JAR	MAA
16JN15	R	08	-	-		429948	RCE	LES	VMR



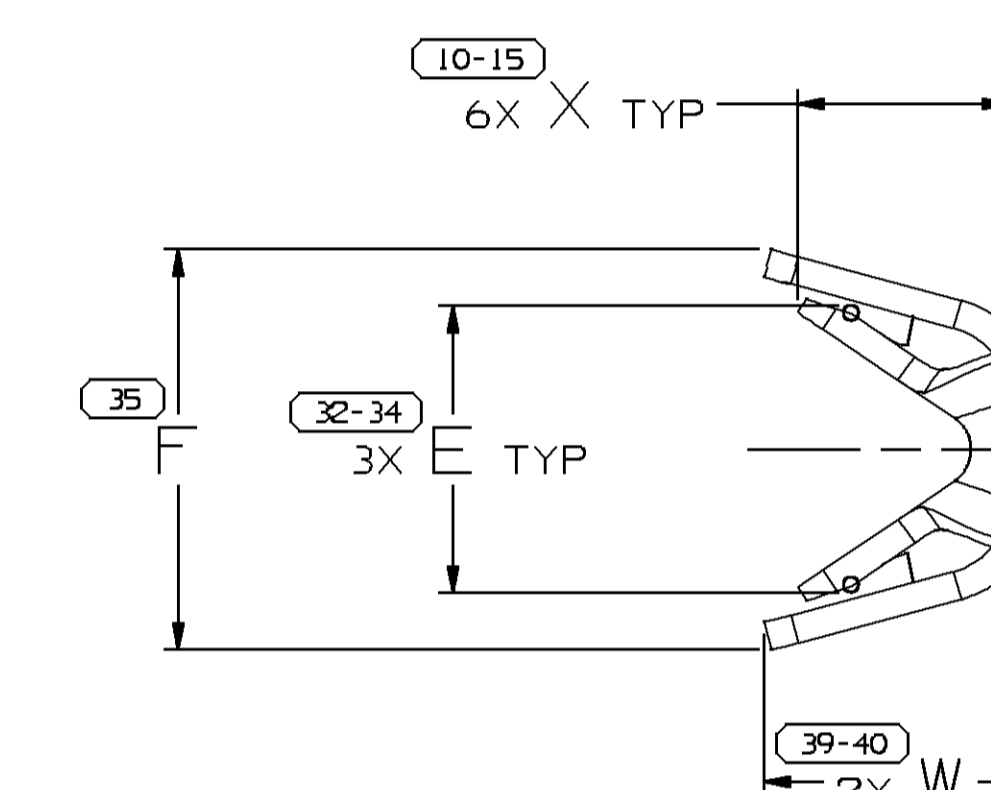
CARRIER STRIP
SCALE 2:1



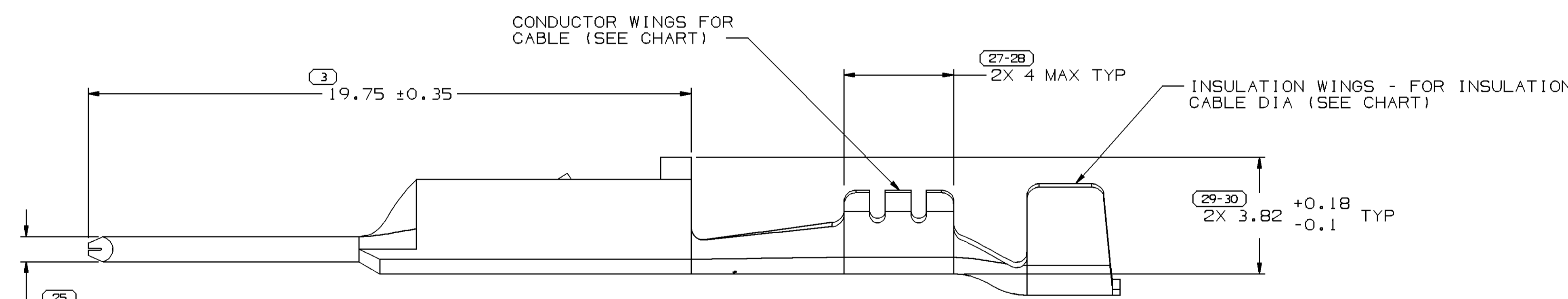
VIEW TO X-X



WING CONST I
VIEW TO X-X



WING CONST II
VIEW TO X-X



NOTES

- UNLESS OTHERWISE SPECIFIED AND/OR INDICATED: DIMENSIONS ARE TO FACE OF VIEW SHOWN AND AUTOMATICALLY ROUNDED BY COMPUTER FOR INSPECTION (SEE MATH MODEL FOR PRECISE DIMENSIONS). FOR ALL OTHER DIMENSIONS NOT SHOWN BUT REQUIRED FOR TOOL BUILD, SEE MATH MODEL FOR PRECISE TOOL PATH DATA.
- MATING COMPONENTS OR EQUIVALENT: TERMINAL 12015828

PART NO	REV/N/P	MAT'L SIZE	MAT'L SPEC	PART NO	REV/N/P	MAT'L SPEC	SIZE (MMF)	CABLE ID	DIA	TYPE	E _{10.4}	F _{10.4}	N _{10.15}	V _{10.3}	(W)	(X)
		0.381 - 42.47		12066269	BS -	M3617H30	0.5-0.35	21	2.2-1.3	101	2.4±0.2	3.8±0.2	2.8	8.7	3.1	2.4
		0.381 - 42.47		12052827	ES -	M3617H30	3	12	3.2-3.04	103	4.6	6	2.4	8.7	4.6	4.2
		0.381 - 42.47		12033820	FS -	M3617H30	5 - 3	11	5.24-3.49	103	4.6	7.6	2.4	8.6	5.6	4.6
		0.381 - 42.47		120284784	ES -	M3617H30	TWO 0.35	222	2-1.35	101	3.6±0.2	5.3	2.8	8.7	-	-
		0.381 - 42.47		120284781	D -	F1403336	0.35	22	2-1.35	101	2.2±0.2	3.6	2.8	-	-	-
		0.381 - 42.47		12028423	B -	F1403336	TWO 3	212	4.67-3.49	102	6.6	8.6	2.8	-	-	-
		0.381 - 42.47		12028422	C -	F1403336	TWO 1	216	2.68-2.48	102	6.6	7.6	2.8	-	-	-
		0.381 - 42.47		12028421	C -	F1403336	5 - 3	11	5.24-3.49	103	4.6	7.6	2.4	-	-	-
12028392	B	0.381 - 42.47	PM001403 336	12020120	05 -	M3617H30	2 - 1	15	3.97-2.48	102	3.7	6	2.8	8.7	4.3	3.4
12028393	E	0.381 - 42.47	PM001403 336	12020119	05 -	M3617H30	0.8-0.5	19	3.12-2.03	101	3.2	5	2.8	8.7	3.5	2.8

LINE DRAWN THROUGH PART NUMBER INDICATES THAT PHYSICAL PARTS ARE NOT AVAILABLE FOR ORDERING.

PART NUMBERS THAT DO NOT HAVE A LINE PRESENT INDICATE THAT PHYSICAL PARTS ARE AVAILABLE FOR ORDERING.

CONFIRM DELPHI SALES TO ASSURE AVAILABILITY OF PARTS.

DWG TYPE: PART DRAWING

UNLESS OTHERWISE SPECIFIED THIS DOCUMENT IS IN ACCORDANCE WITH ASME Y14.5M-1994 AS INDICATED BY THE DIMENSIONAL DIMENSIONS AND TOLERANCE LIMITS ARE ESTABLISHED FROM 0 TO > 12 CHART D

ALL DIMENSIONS ARE IN MILLIMETERS

THIRD ANGLE PROJECTION

DO NOT SCALE USE MATH DATA

REFERENCE

31 PROCESS SENSITIVE DIMENSION

DIMENSIONS ENCLOSED IN () INDICATE REFERENCE DIMENSIONS AND NO TOLERANCE LIMITS ARE ESTABLISHED

ANGULAR TOLERANCE ±0.2°

DELPHI
DELPHI PACKARD ELECTRICAL/ELECTRONIC ARCHITECTURE

WARREN, OH
COPYRIGHT DELPHI CORPORATION AND/OR ITS AFFILIATES. ALL RIGHTS RESERVED.
THIS DRAWING IS THE PROPERTY OF DELPHI CORPORATION AND CONTAINS DELPHI CONFIDENTIAL INFORMATION. THE REPRODUCTION, DISTRIBUTION AND UTILIZATION OF THIS DOCUMENT OR ITS CONTENTS OR DATA, AS WELL AS COMMUNICATION OF ANY CONTENT TO OTHERS, WITHOUT EXPRESS AUTHORIZATION, IS PROHIBITED.

DATE: 27JUN00

OR: G. ESTRADA, R. CHACON, J. HORIUCHI, APVD4

SUBSTANCES OF CONCERN AND RECYCLED CONTENT, PER DELPHI 10449001

DRAWING NAME: TAXI TERM M/M/P 480 TANG

DRAWING NUMBER: 12020118

SIZE: A0, SCALE: 10:1, FRAME NO: 1 OF 1, SHEET NO: 1 OF 2, STG: R, REV: 08