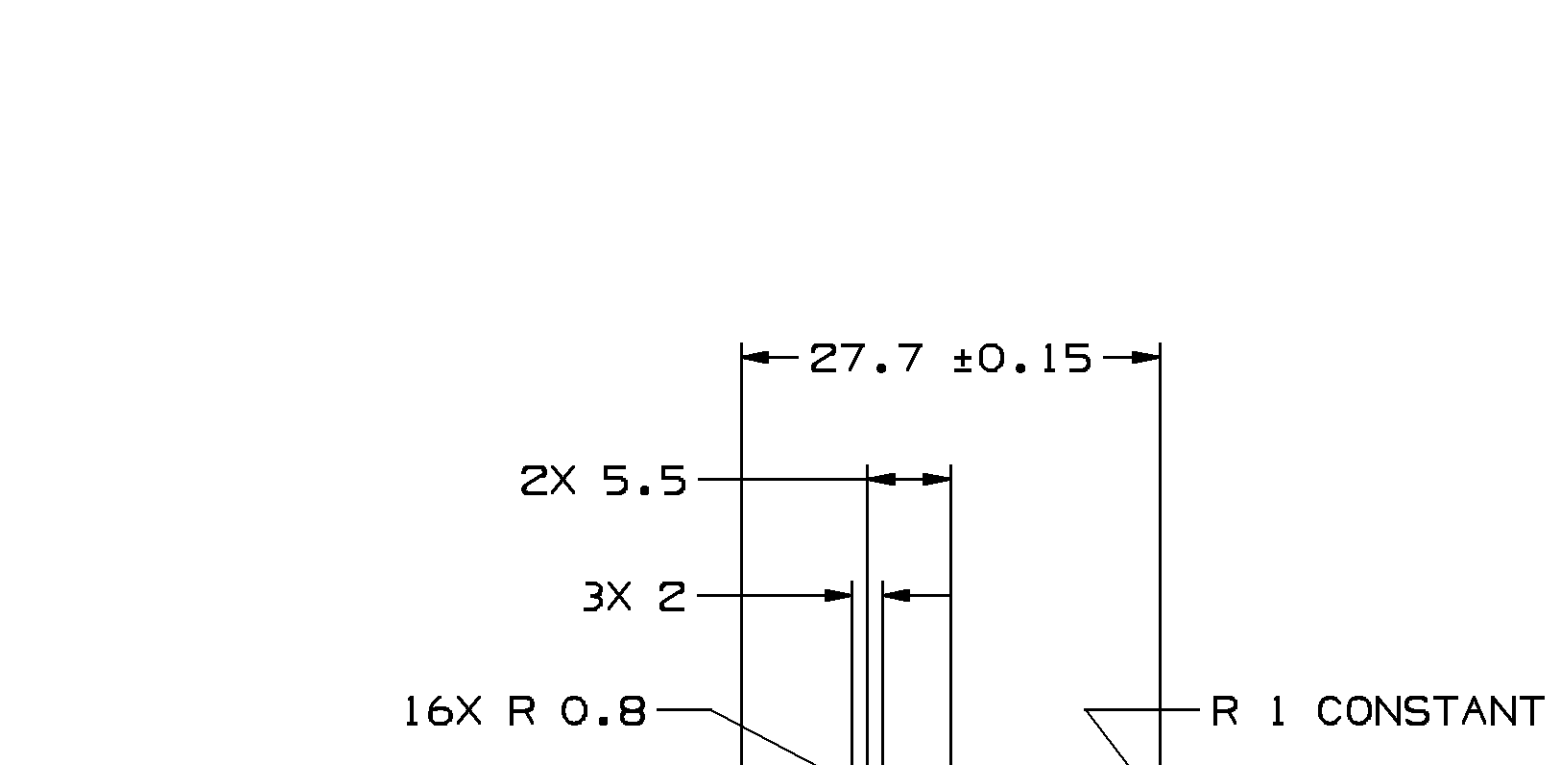
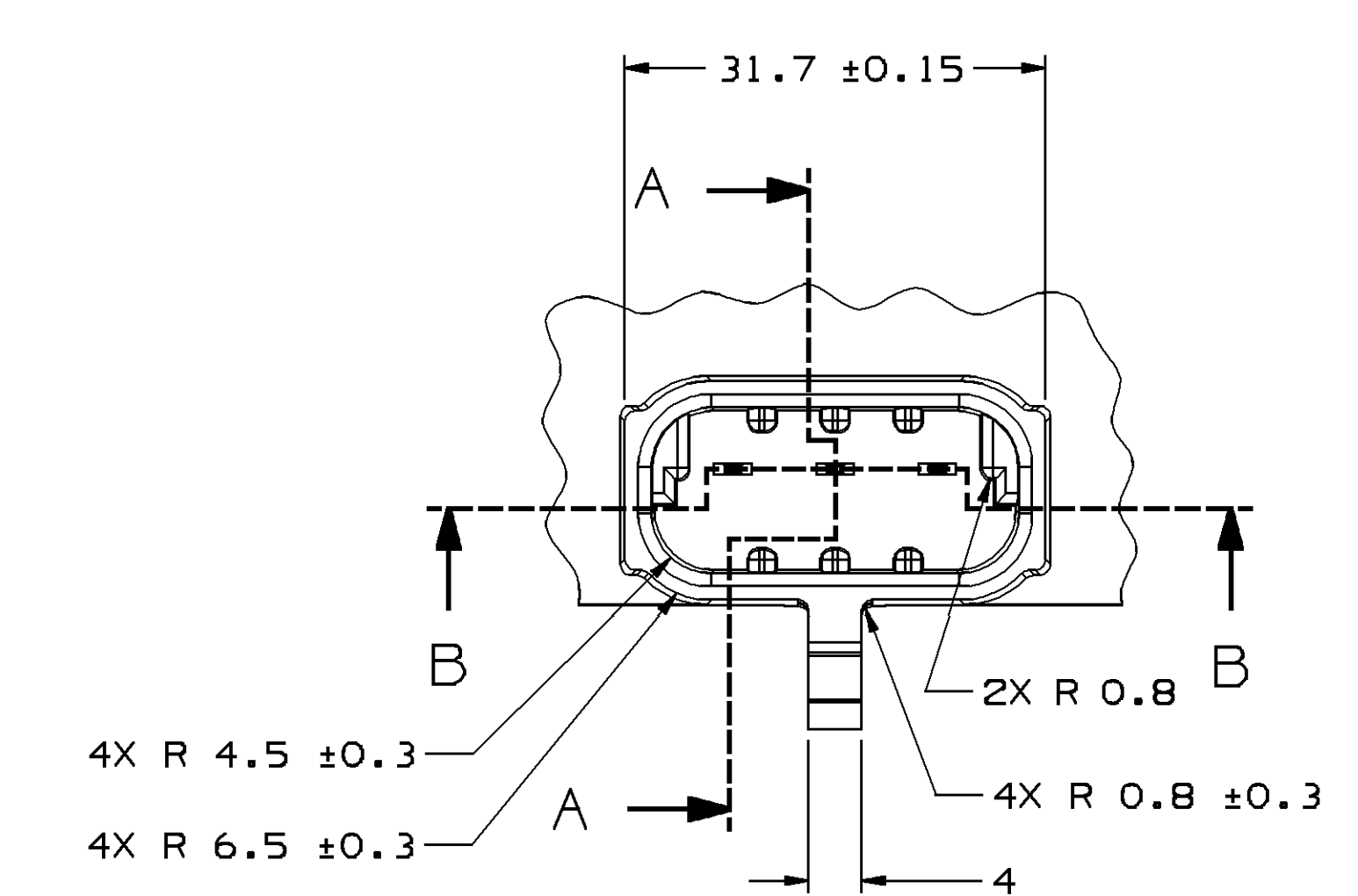


SECTION A - A

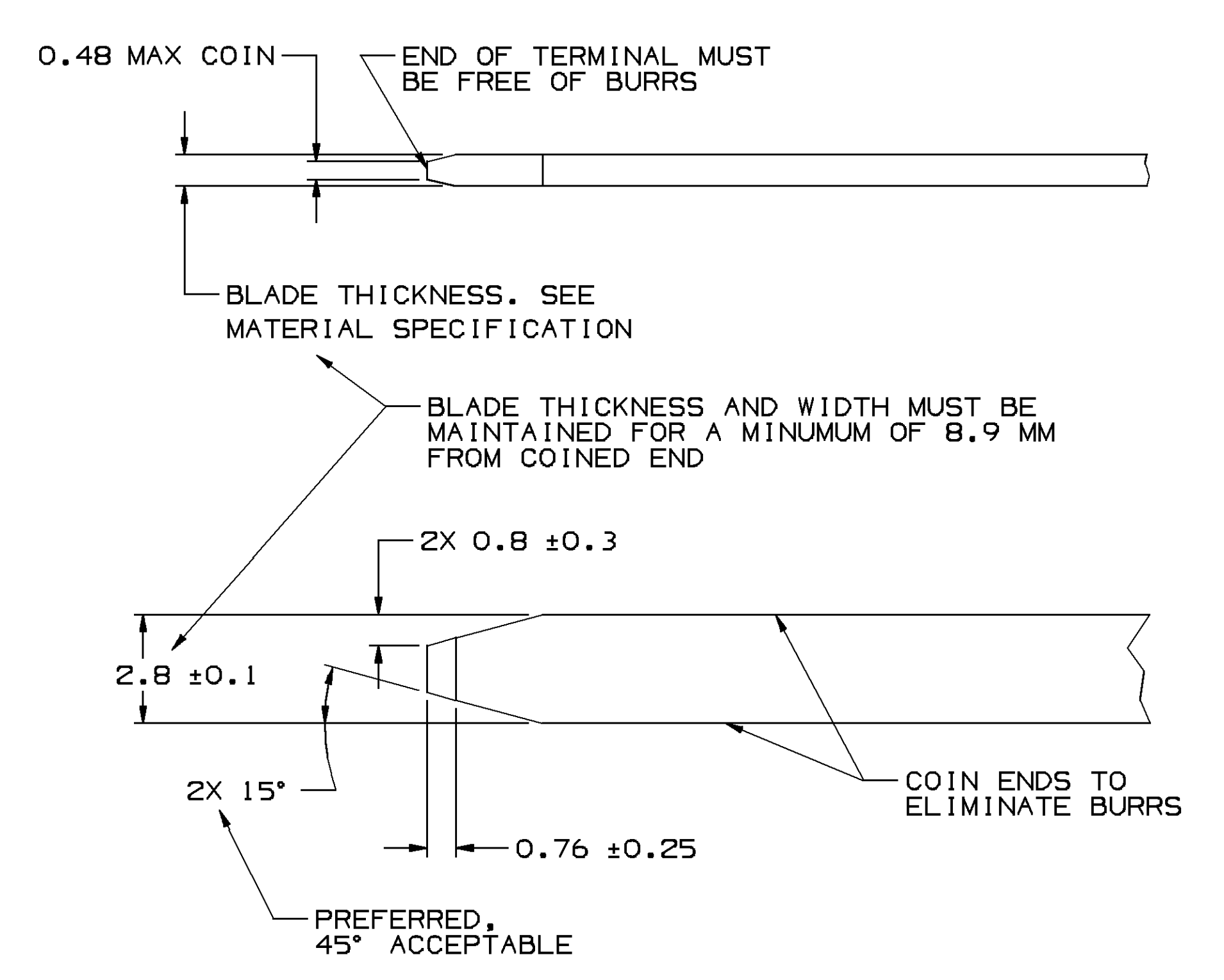


SECTION B - B

MATING CONNECTOR INFORMATION

SYMBOL DEFINITION		TOTAL NO OF INSPECTIONS REQUIRED	MISSING SYMBOLS
A DIMENSION WITHOUT AN INSPECTION REPORT SYMBOL DOES NOT REQUIRE INSPECTION. IT MAY BE CONTROLLED ON THE INDIVIDUAL COMPONENT DRAWING.		13	NO MISSING SYMBOL NUMBER
	LAST NO. USED	13	

DWG STATUS				REVISION HISTORY				AUTH		DR		AP/VD	
DATE	STG	REV	N/P	CHG	ZONE								
13JUN00	R	01	-	-		CLEARED REV COLUMN & ALL PARTS - REDRAWN TO PD # 30.4 +0.15/-0.2 WAS 30.4				201186	RGT	BMC	DN
10M106	R	02	-	-		ALL PARTS - ADDED CONN SEAL INFO				280308	JBD	JAA	WTM



RECOMMENDED
 BASE METAL - CDA-210, GILDING, EXTRA SPRING TEMPER
 PLATING - 0.005±0.0025 MM THICK TIN

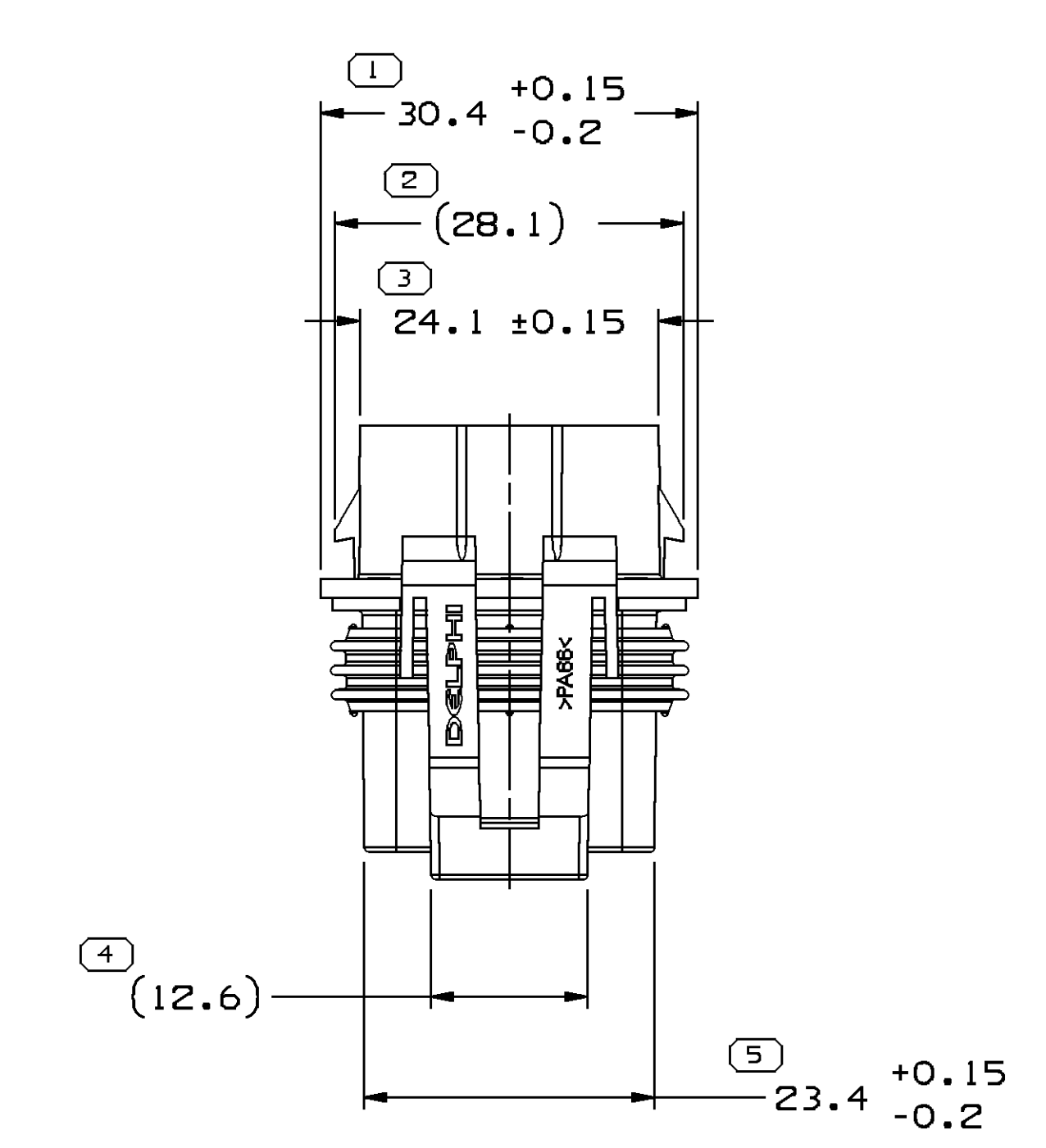
MINIMUMS
 ELECTRICAL CONDUCTIVITY - ≥ 20% IACS @ 20°C. USE OF A MATERIAL WITH CONDUCTIVITY < 20% IACS MUST BE APPROVED BY PACKARD ELECTRIC MATERIALS ENGINEERING.

TENSILE STRENGTH - 407 MPa

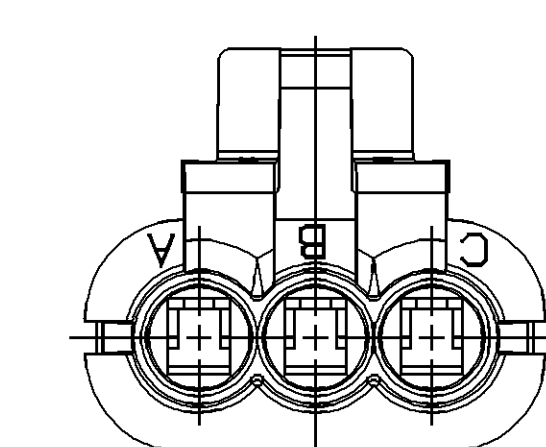
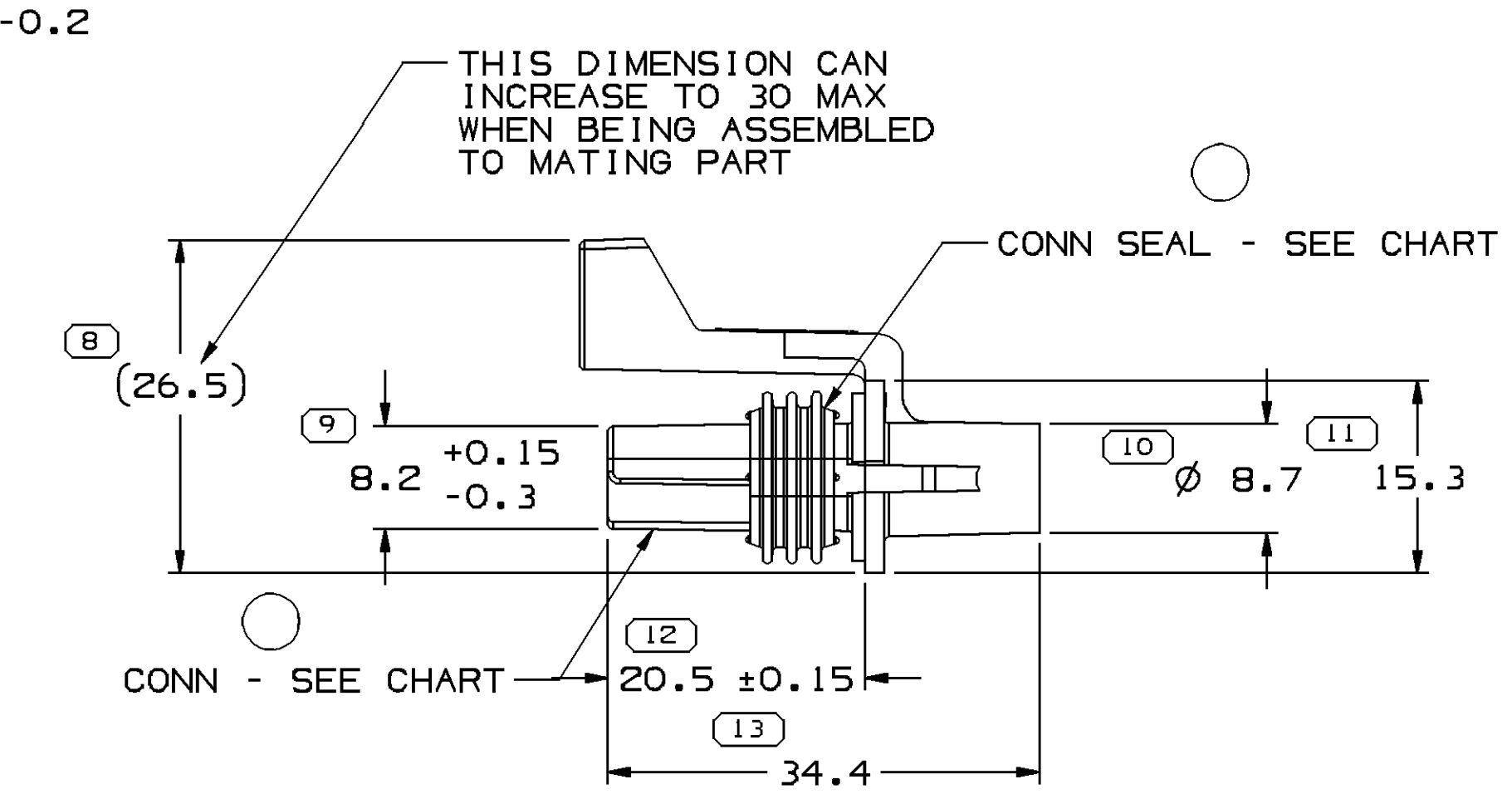
PLATING - FOR LOW ENERGY (≤ 5v) AND NON-PASSENGER COMPARTMENT POWER CIRCUITS, 0.005±0.0025 MM THICK TIN. FOR MATERIALS CONTAINING 10% OR MORE ZINC, AN UNDERPLATE OF COPPER 0.005±0.0025 MM THICK IS REQUIRED.

BLADE THICKNESS
 UNPLATED = 0.813 ± 0.025
 TIN PLATED = 0.823 ± 0.03

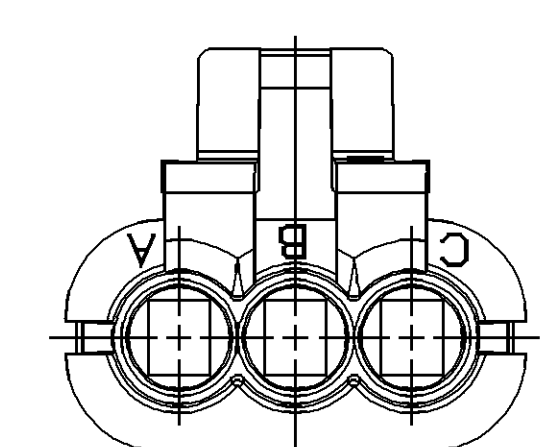
MATING TERMINAL INFORMATION
 SCALE 8:1



TYPE 101

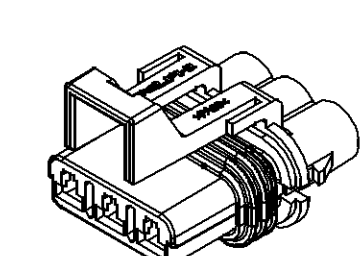


TYPE 101



TYPE 102
 SAME AS TYPE 101 EXCEPT AS SHOWN

- NOTES**
- UNLESS OTHERWISE SPECIFIED AND/OR INDICATED:
 DIMENSIONS ARE TO FACE OF VIEW SHOWN AND AUTOMATICALLY ROUNDED BY COMPUTER FOR INSPECTION (SEE MATH MODEL FOR PRECISE DIMENSIONS). FOR ALL OTHER DIMENSIONS NOT SHOWN BUT REQUIRED FOR TOOL BUILD, SEE MATH MODEL FOR PRECISE TOOL PATH DATA.
 - WHEN PARTS ARE SHIPPED THEY MUST BE PACKED IN PLASTIC BAGS OR SHIPPING CONTAINERS MUST BE LINED WITH PLASTIC LINERS. BAGS OR LINERS MUST BE SEALED TO AVOID FOREIGN MATTER.
 - SEALING CODE 3 - DESIGN WILL PASS SALT FOG AND IMMERSION TEST AFTER CONDITIONING AS SPECIFIED IN ESA-644 (WEATHER-PACK), ESA-710 (METRI-PACK), ESA-650 (UNDERHOOD MICRO-PACK), C-4006 (WORLD CONNECTOR), ETC WHEN MATED TO MATING PART OR EQUIVALENT
 - THIS PART ACCEPTS THE FOLLOWING COMPONENTS OR EQUIVALENT:
 TERMINAL 12077411
 SECONDARY TERMINAL LOCK 12034145
 CABLE SEAL 12015323
 CONNECTOR POSITION ASSURANCE LOCK 12020833



PART NO	REV	N/P	STATUS	TYPE	CONNECTOR	CONN COLOR	CONN SEAL	BLOCKED CAVITIES	MATING DEVICE	MATING CONNECTOR
12177244	A2	-	-	102	12176686	GRAY	12034144	-	-	15300003
12040977	A2	-	-	101	12040951	BLACK	12034144	-	AC25007562	15300003

DIMENSIONAL RANGE (MM)		THIRD ANGLE PROJECTION	DO NOT SCALE
FROM	TO		
10.15	10.15		

DELPHI
 DELPHI PACKARD ELECTRIC SYSTEMS
 WARREN, MI

DR	DATE
APV01 W. TURNBULL	13JUN95
APV02 D. BRANTINGHAM	14JUN95
APV03 R. KEEN	28AUG95
APV04	
APV05	

THIS DOCUMENT IS IN ACCORDANCE WITH ASME Y14.9M-1994 AS MODIFIED BY THE IN CHARGE, DIMENSIONING AND TOLERANCING MANUAL (PP). ALL DIMENSIONS UNLESS OTHERWISE SPECIFIED ARE IN MILLIMETERS. UNLESS OTHERWISE SPECIFIED, DIMENSIONS ARE TO FACE UNLESS INDICATED OTHERWISE. DIMENSIONS UNLESS OTHERWISE SPECIFIED ARE ESTABLISHED BY ORIENTATION OR LOCATION TOLERANCES. SURFACE FINISH CALLOUTS MAY BE OMBED SEPARATELY, REGARDLESS OF DATUM REFERENCE. ALL DIMENSIONS ARE IN MILLIMETERS.

UNLESS OTHERWISE SPECIFIED:
 DIMENSIONS ENCLOSED IN () INDICATE REFERENCE DIMENSIONS AND NO TOLERANCE LIMITS ARE ESTABLISHED.

(13) PROCESS SENSITIVE DIMENSION

THIRD ANGLE PROJECTION
 DO NOT SCALE
 USE MATH DATA

DRAWING NUMBER
12177245

SIZE A0 SCALE 2:1 FRAME NO 1 OF 1 SHEET NO 1 OF 1 REV N/P 02 -