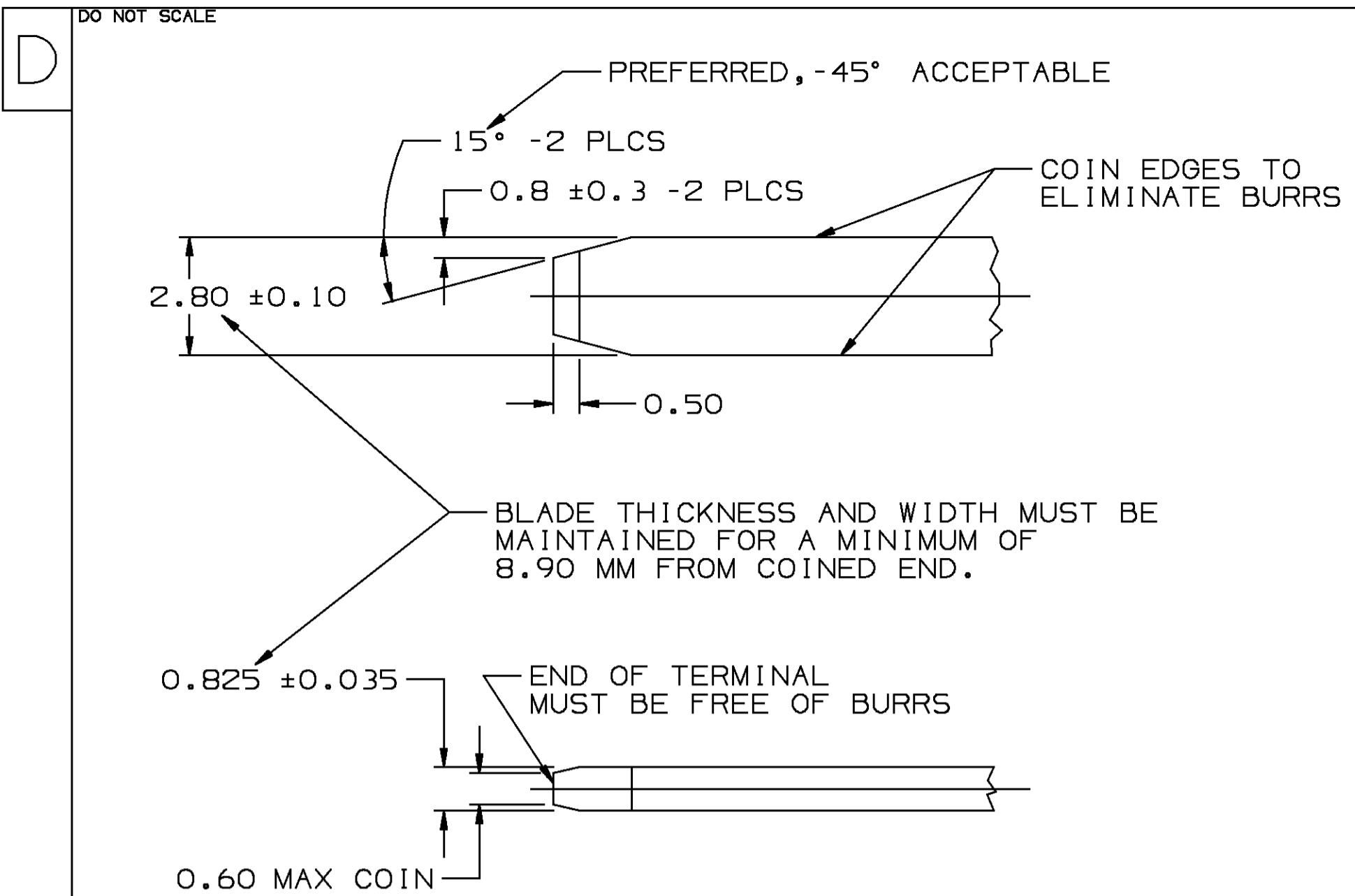


DELPHI PACKARD ELECTRIC SYSTEMS  
WARREN, OHIO 44466



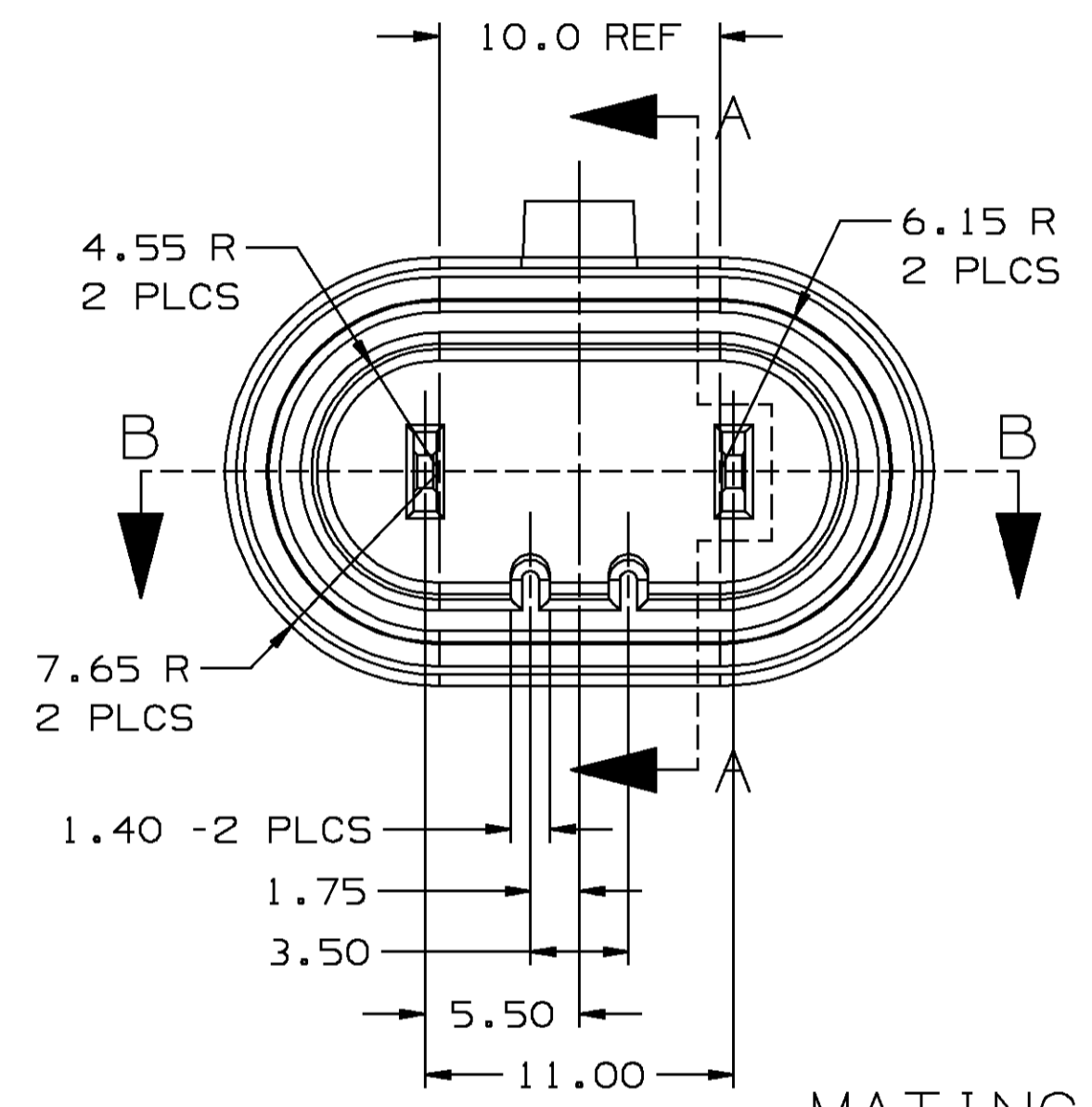
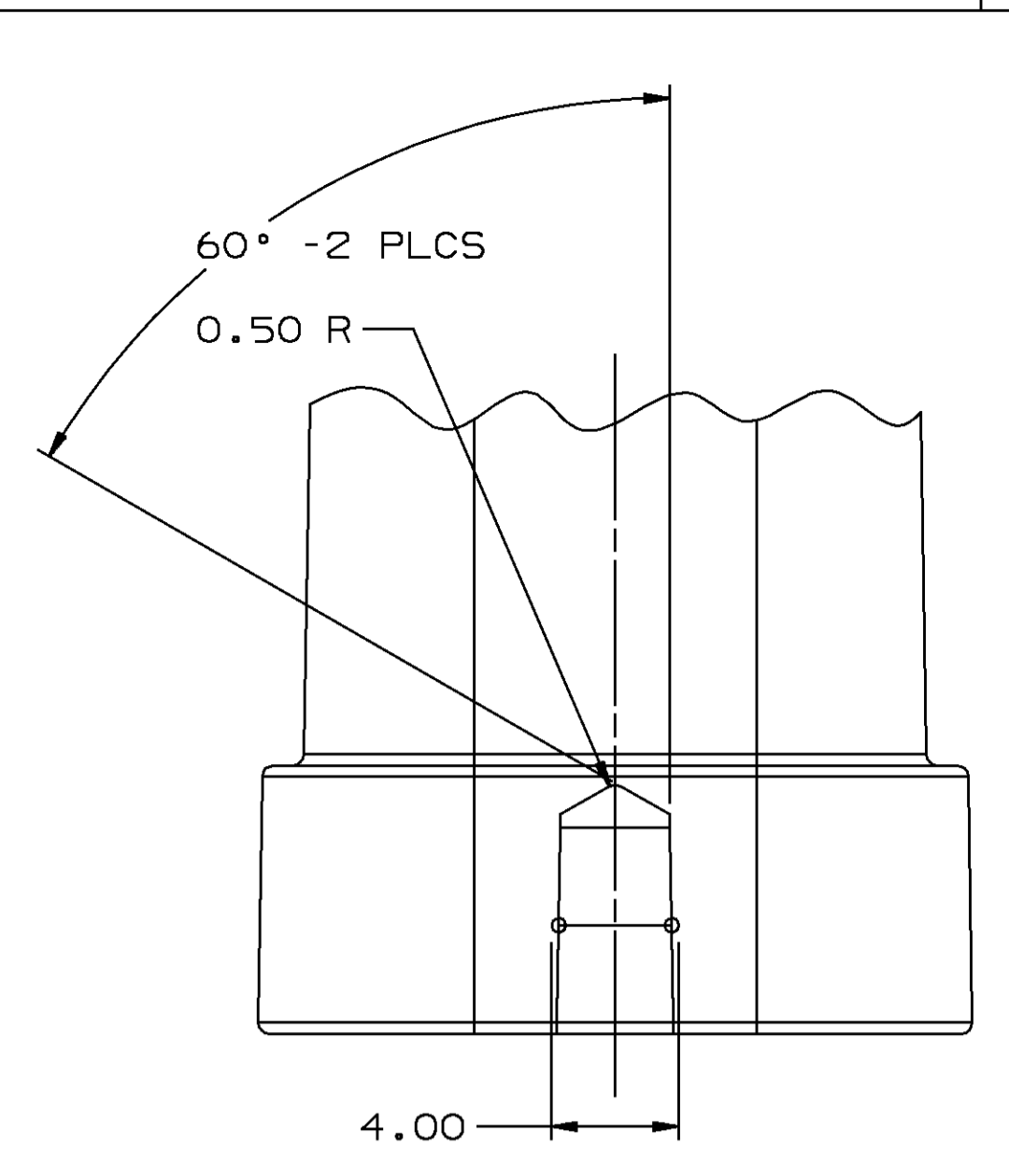
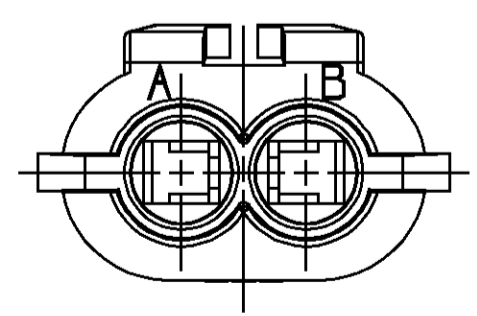
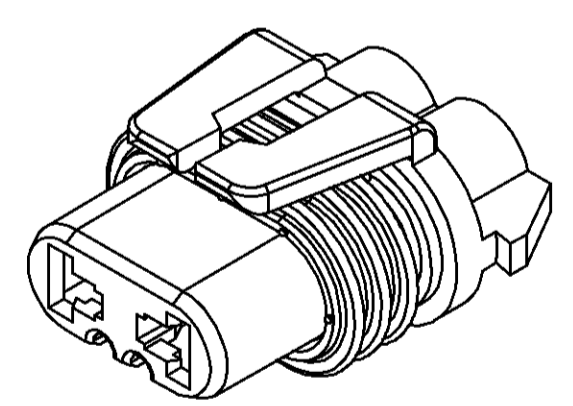
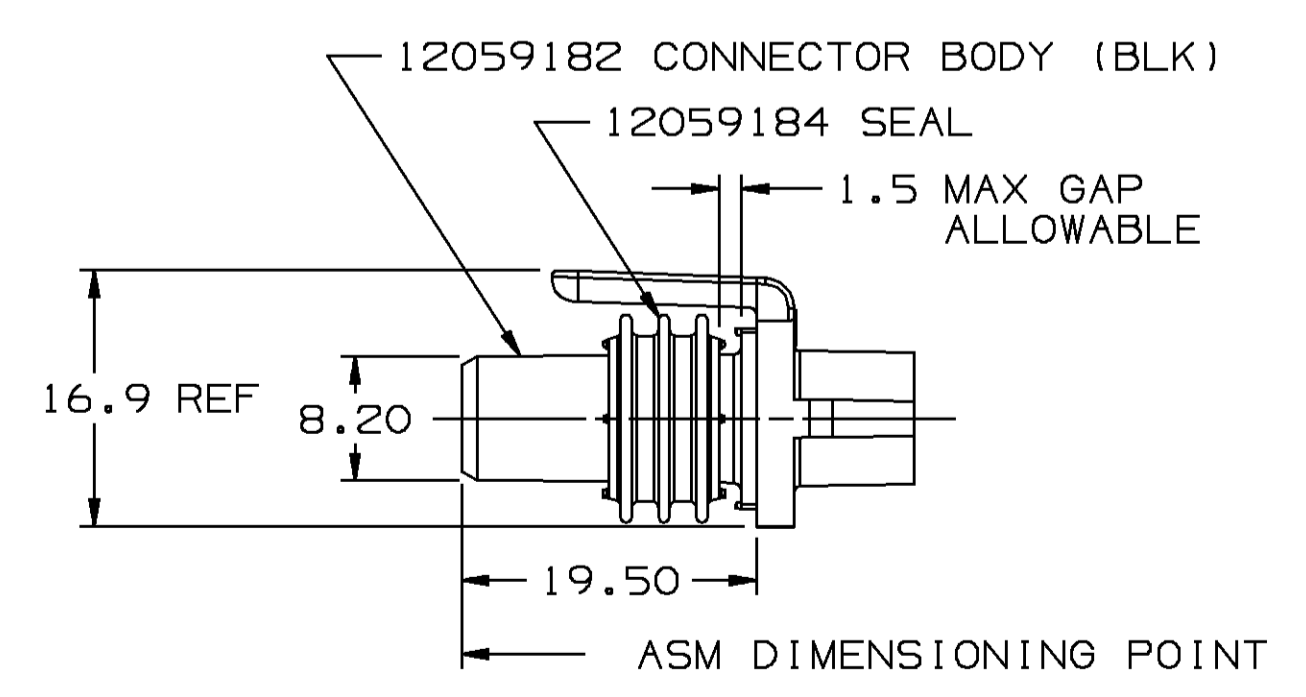
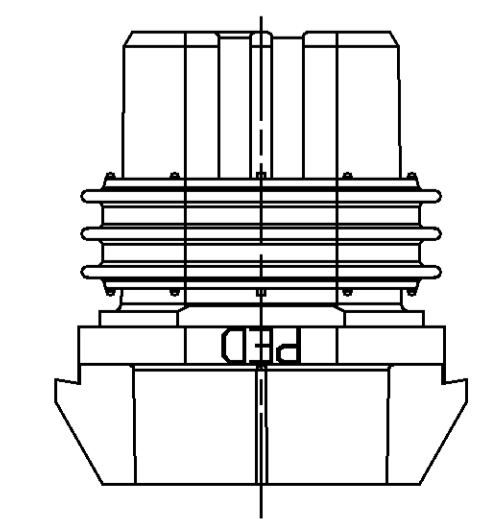
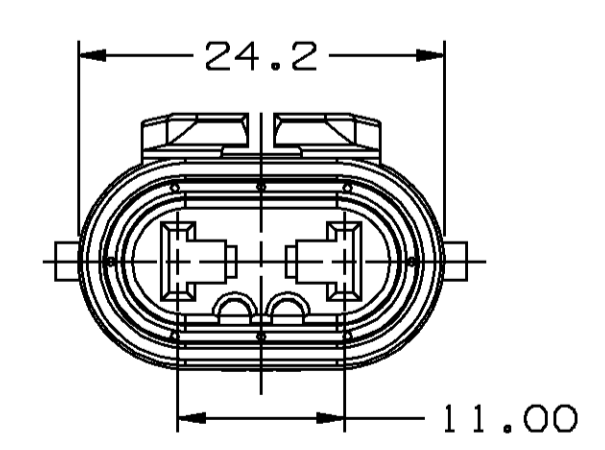
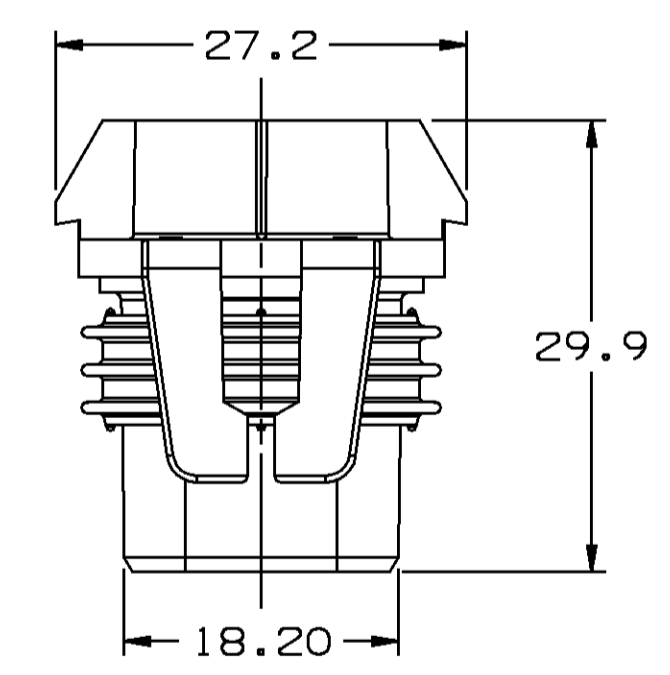
MATERIAL SPECIFICATIONS

RECOMMENDED  
BASE METAL - CDA-210, EXTRA SPRING TEMPER  
PLATING - 0.0050±0.0025 MM THICK TIN

MINIMUMS  
ELECTRICAL CONDUCTIVITY - ≥20% IACS AT 20°C. USE OF A MATERIAL WITH CONDUCTIVITY < 20% IACS MUST BE APPROVED BY PACKARD ELECTRIC MATERIALS ENGINEERING.  
TENSILE STRENGTH - 407 MP<sub>a</sub>  
PLATING - FOR LOW ENERGY (≤5v) AND NON-PASSENGER COMPARTMENT POWER CIRCUITS, 0.0050±0.0025 MM THICK TIN. FOR MATERIALS CONTAINING 10% OR MORE ZINC, AN UNDERPLATE OF COPPER 0.0050±0.0025 MM THICK IS REQUIRED.

MATING BLADE INFORMATION

SCALE 8:1

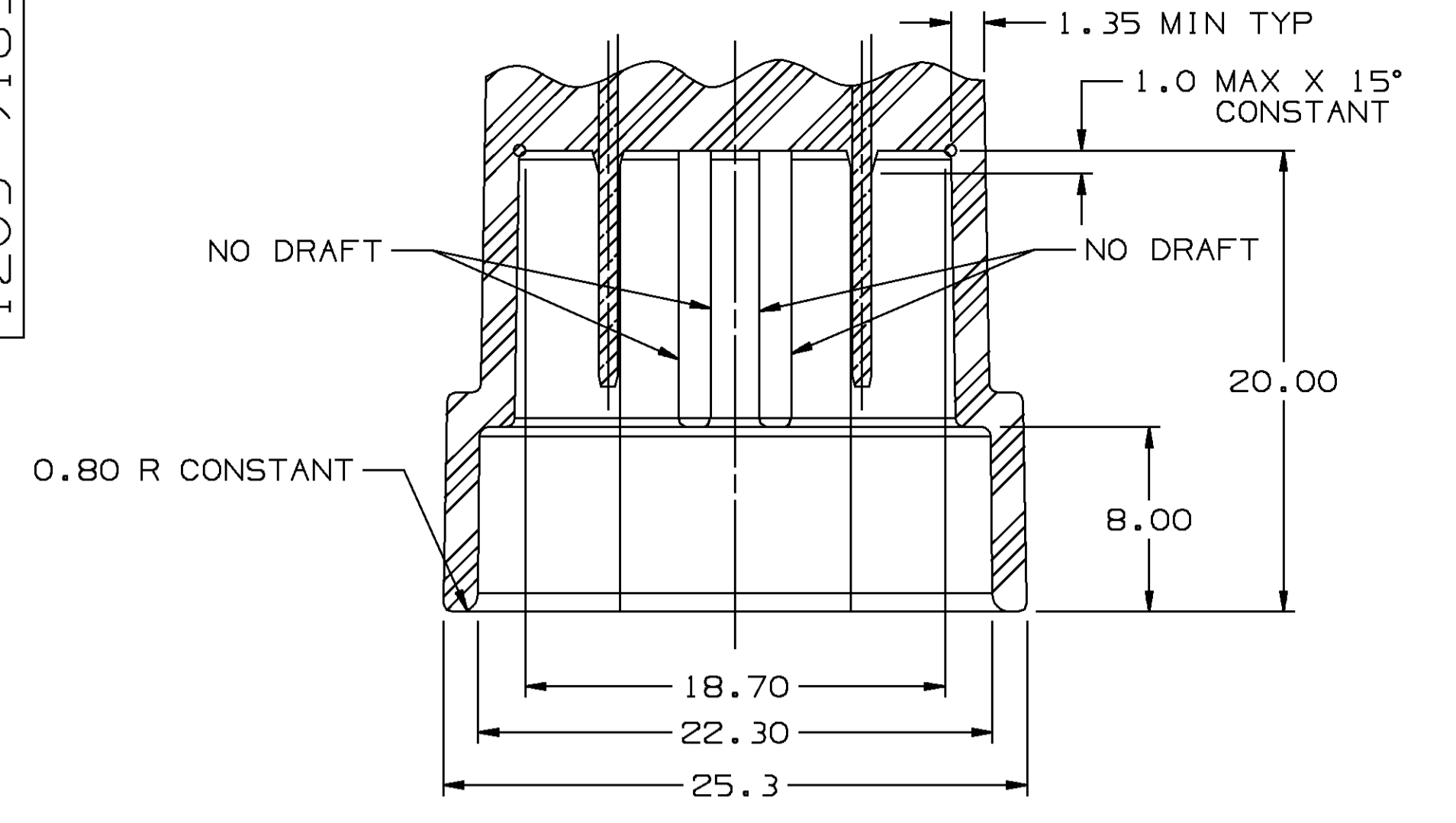


MATING CONNECTOR INFORMATION

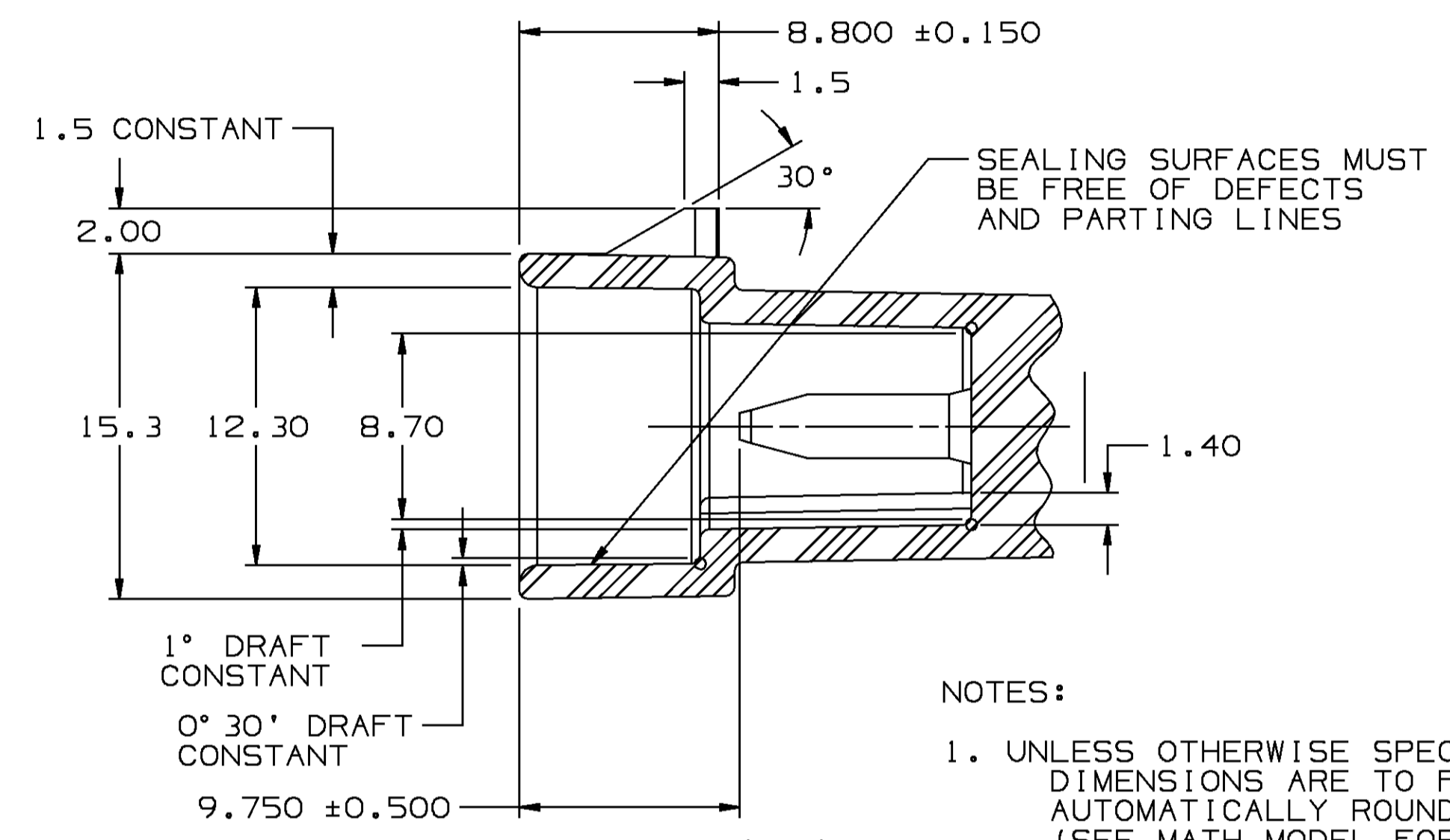
SCALE 4:1

RECOMMENDED MATERIAL:  
GLASS REINFORCED NYLON OR POLYESTER

PART NO  
1205 9183



SECTION B-B



SECTION A-A

NOTES:

- UNLESS OTHERWISE SPECIFIED AND/OR INDICATED: DIMENSIONS ARE TO FACE OF VIEW SHOWN AND AUTOMATICALLY ROUNDED BY COMPUTER FOR INSPECTION. (SEE MATH MODEL FOR PRECISE DIMENSION) FOR ALL OTHER DIMENSIONS NOT SHOWN BUT REQUIRED FOR TOOL BUILD, SEE MATH MODEL FOR PRECISE TOOL PATH DATA.
- DRAFT IS 1° ON ALL OUTSIDE & INSIDE SURFACES UNLESS OTHERWISE INDICATED.
- ALL RADII 0.40 UNLESS OTHERWISE INDICATED.

NOTES:

- CAVITIES TO ACCEPT 12077411 TERMINAL OR EQUIVALENT
- WHEN PARTS ARE SHIPPED, THEY MUST BE PACKED IN PLASTIC BAGS OR SHIPPING CONTAINERS MUST BE LINED WITH PLASTIC LINERS. BAGS OR OR LINERS MUST BE SEALED TO AVOID ENTRY OF FOREIGN MATTER.
- MATES TO HALOGEN HEAD LAMP BULB # 9005 - HIGH BEAM.
- SECONDARY TERMINAL LOCK 12059185 OR EQUIVALENT
- CABLE SEAL 12015323 OR EQUIVALENT
- SEALING CODE 3.

DATE	SYM	REVISION RECORD	AUTH	DR	CK
02SE97	D	REDRAWN & REVISED			
		CONNECTOR CAVITIES	1B138B	BELOW	WTP
27MR98	E	REVISED LOCK RAMP IN CAVITY			
			1B6371	EAR	CMF

PART NO  
1205 9183

DRAWING TYPE DETAIL/CPAD/PID		OTHER DRAWINGS AVAILABLE	
		METRIC DIMENSIONS ARE IN MILLIMETERS UNLESS OTHERWISE SPECIFIED	
THIRD ANGLE PROJECTION		TOLERANCE UNLESS OTHERWISE SPECIFIED DECIMAL: ANGULAR ± 2° ONE PLACE ± 0.3 TWO PLACE ± 0.15	
CODE NO 6900	QC -C-5110	DES	
DWG DATE 14JA85	DR J. L. BOZIS	22MY85	
SCALE 2:1	CK F. HESTON	22MY85	
REFERENCE NO	APPR T.F. CUNNINGHAM	10JN85	
MATERIAL SPEC SEE DRAWING		VOL CM <sup>3</sup>	
NAME ASM CONN 2F M/P 280 SLD			
PART NUMBER 1205 9183			SIZE A1