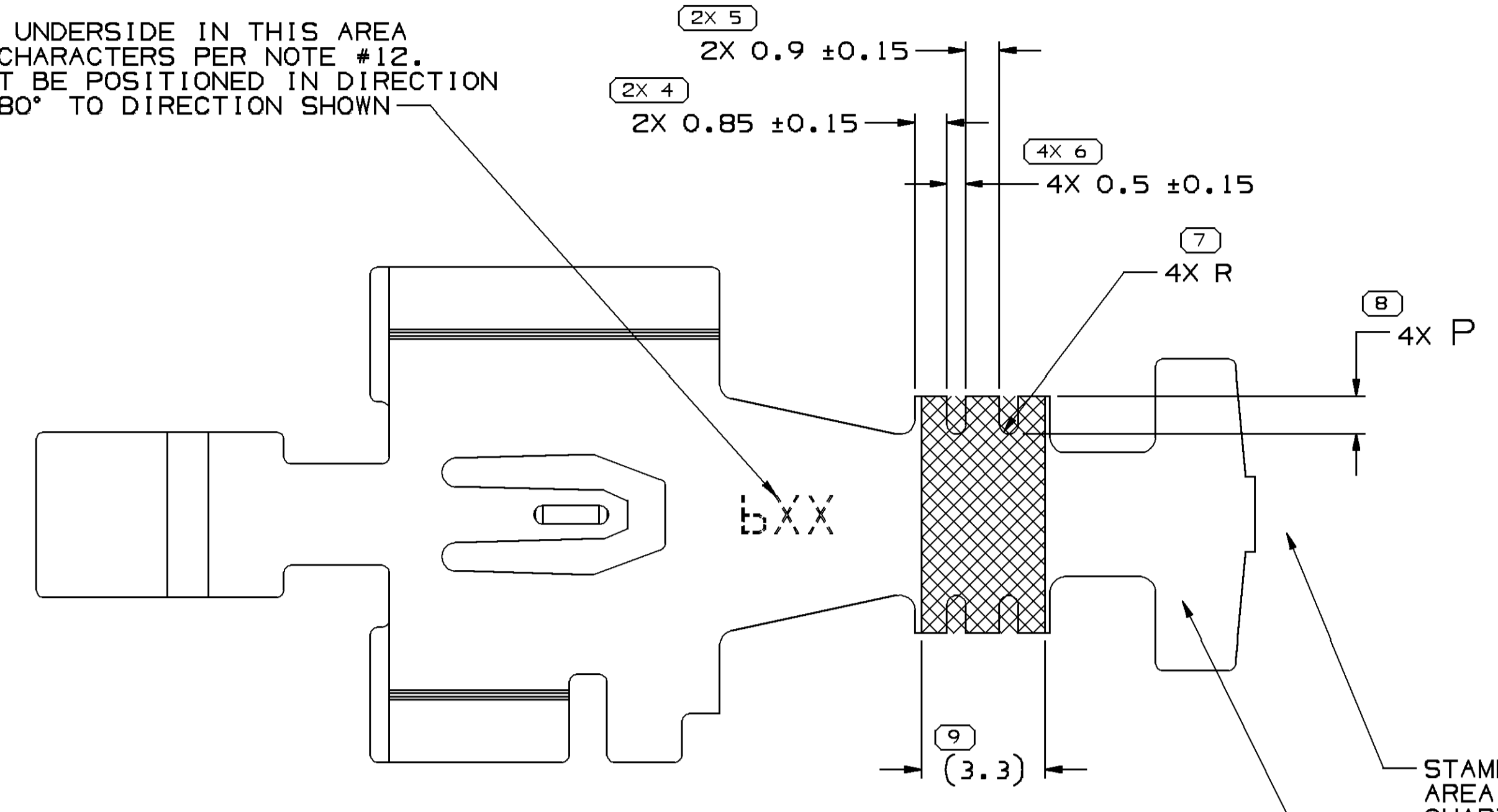


SYMBOL DEFINITION		TOTAL NO OF INSPECTIONS REQUIRED	35
A DIMENSION WITHOUT AN INSPECTION REPORT SYMBOL DOES NOT REQUIRE INSPECTION. IT MAY BE CONTROLLED ON THE INDIVIDUAL COMPONENT DRAWING.		LAST NO. USED	29

MISSING SYMBOLS				REVISION HISTORY				AUTH	DR	AP/VD
DATE	STO	REV	N/P	CHG	ZONE	DESCRIPTION	DATE	NO	NO	NO
16JL01	R	01	-	-	-	CREATED PD	203721	ESF	ESF	B6
13SE04	R	02	-	-	-	ALL ACTIVE PARTS - UPDATED PDM ATTRIBUTES	257886	ESF	ESF	B6 M
12FE07	R	03	-	-	-	12065940, 12065950-51 & 12077946 - OBSOLETE; 12077945 - RESTRICTED; 12065892-94, 12089236 & 12103948 - MAT'L SPEC WAS P3604	400499	JBD	FRG	BGG
27FE07	R	04	-	-	-	ALL ACTIVE PARTS - MATERIAL SPEC WAS M3606404	400643	MM	MM	BDD

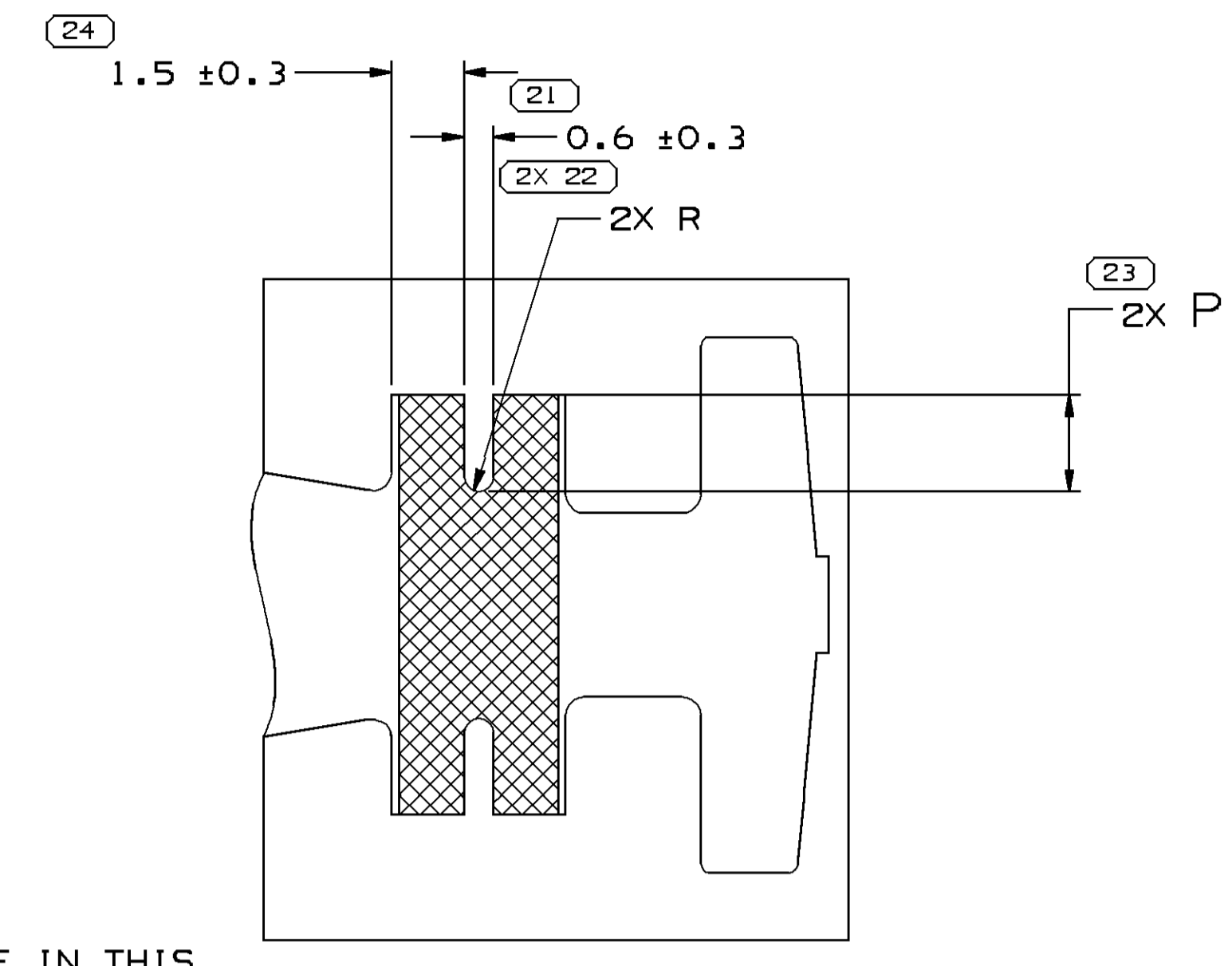
STAMP "PXX" ON UNDERSIDE IN THIS AREA WITH 0.8 HIGH CHARACTERS PER NOTE #12. CHARACTERS MUST BE POSITIONED IN DIRECTION SHOWN, OR AT 180° TO DIRECTION SHOWN



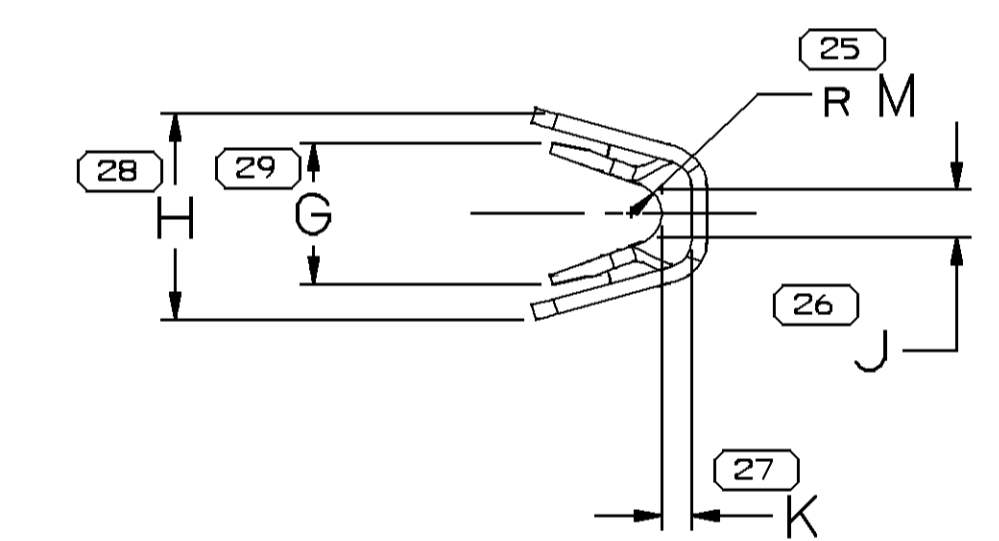
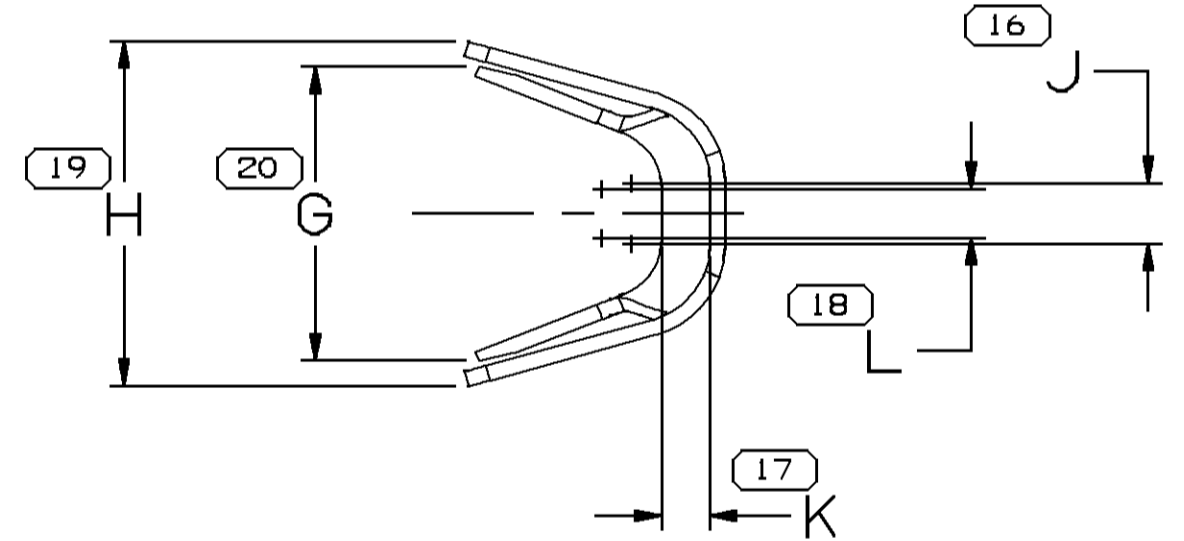
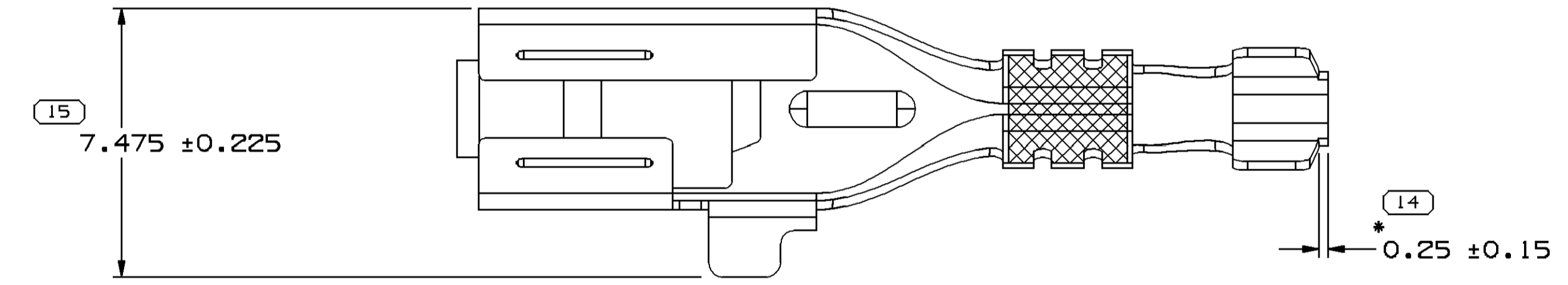
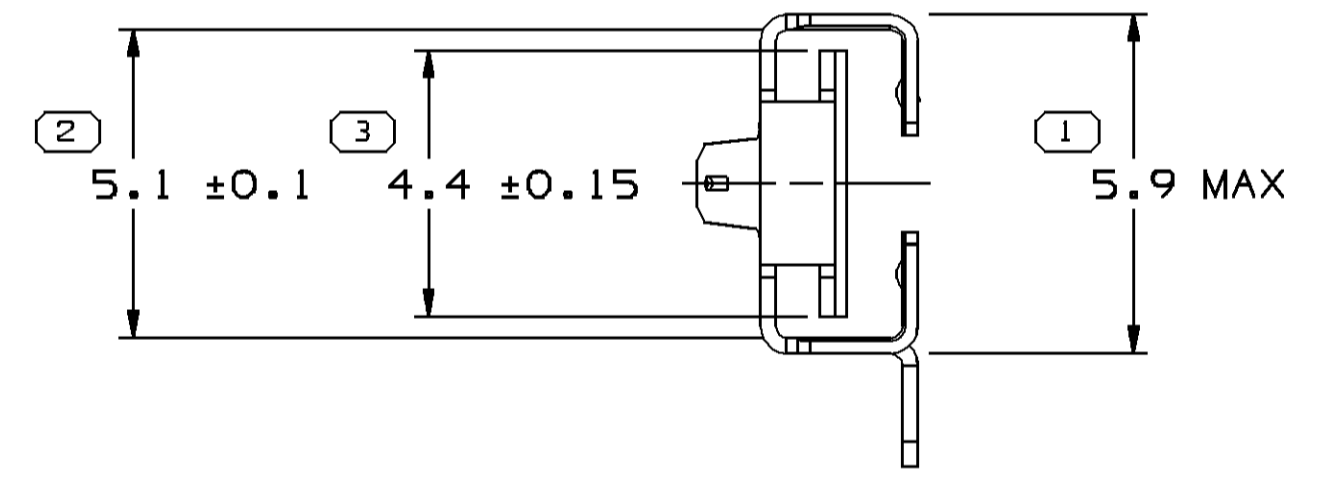
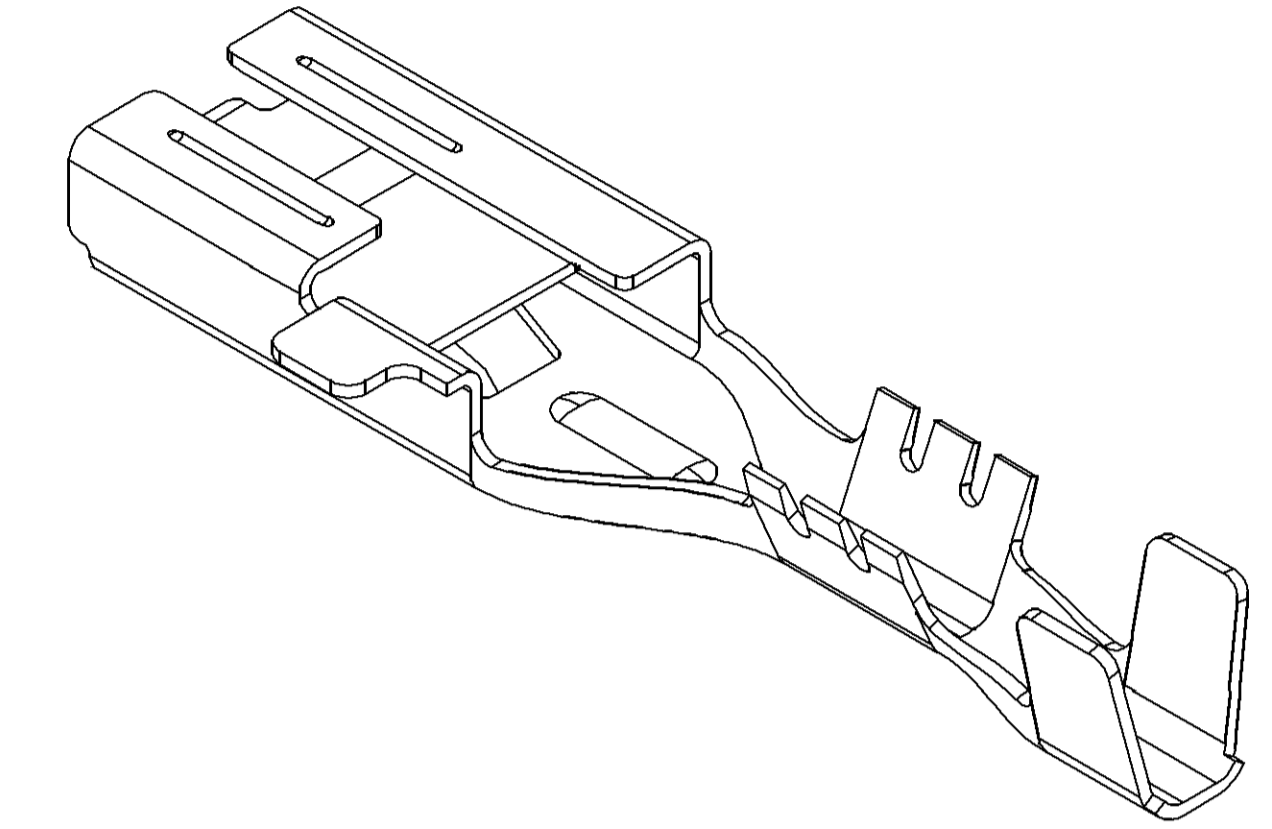
BLANK VIEW - APPROXIMATE TYPE 101

STAMP CABLE I.D. NO. ON UNDERSIDE IN THIS AREA WITH 0.8 HIGH CHARACTERS SHOWN IN CHART. CHARACTERS MUST BE POSITIONED PERPENDICULAR TO CENTRELINE.

STAMPED KNURL PATTERN

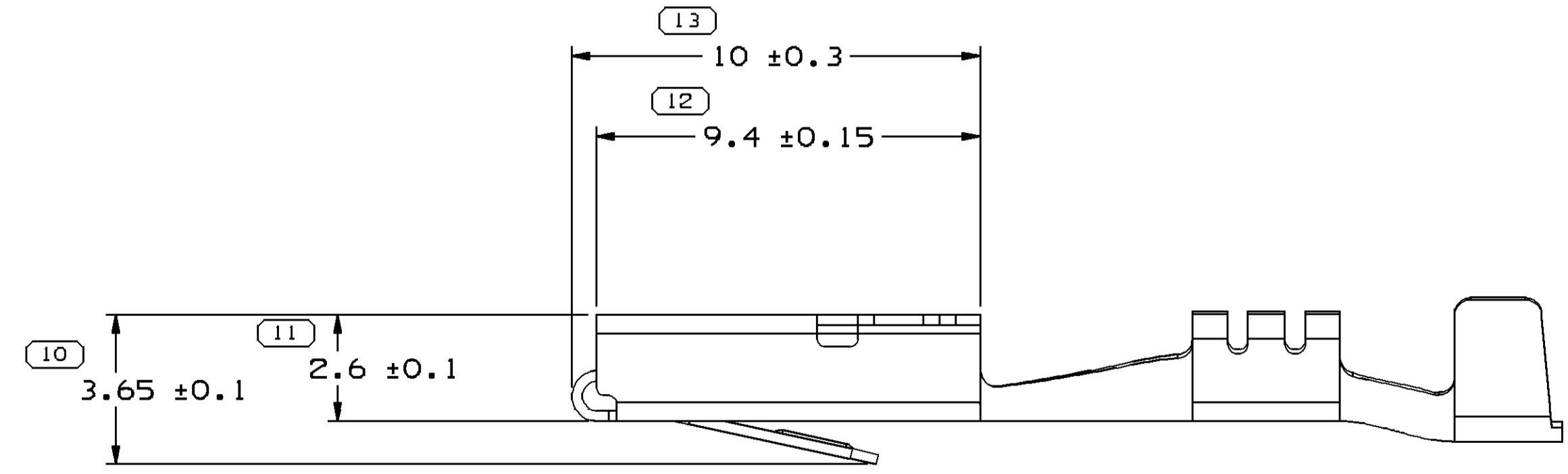


BLANK TYPE 102 SAME AS TYPE 101 EXCEPT AS SHOWN



WING CONST. I

WING CONST. II



NOTES

- UNLESS OTHERWISE SPECIFIED AND/OR INDICATED: DIMENSIONS ARE TO FACE OF VIEW SHOWN AND AUTOMATICALLY ROUNDED BY COMPUTER FOR INSPECTION (SEE MATH MODEL FOR PRECISE DIMENSIONS). FOR ALL OTHER DIMENSIONS NOT SHOWN BUT REQUIRED FOR TOOL BUILD, SEE MATH MODEL FOR PRECISE TOOL PATH DATA. ALL RADII 0.2
- R 0.4 MAX PERMISSIBLE ON ALL "SHARP" CORNERS. ALL LOCKING FEATURES MUST HAVE "SHARP" CORNERS.
- "PXX" INDICATES "P" PLUS LAST TWO DIGITS OF MAKE DIE SERIES NUMBER (P01, P02, P03, ETC).
- \* DENOTES DIMENSION MADE AT CUT-OFF AND CRIMP DIE.
- MAXIMUM CURRENT CAPABILITY IS 24 AMPS.
- TERMINAL ENGAGE 6N TO 27N TERMINAL DISENGAGE 2N TO 15N WHEN MATED TO A 0.81 THICK X 4.8 WIDE HARDENED STEEL BLADE.
- "▲" INDICATES MATERIAL TIN PLATE OVER COPPER PLATE.
- RECOMMENDED MATING BLADE - WIDTH: 4.8 ± 0.1 THICKNESS: 0.825 ± 0.035 LENGTH: 7 ± 0.1

PART NO	REV	STATUS	MAT'L SIZE	MAT'L SPEC	PART NO	REV	STATUS	MAT'L SPEC	SIZE (MM²)	CABLE DIA	ID	BLANK TYPE	WING CONST.	G	H	J	K	L	M	P
12077946	D4	OBSOLETE	0.254 X 36.5	M3604	12089236	B5	-	M3606440	(2) 0.35	2-1.05	222	101	11	2.4	5.1	1.3	0.5	-	0.5	1
12077945	C4	RESTRICTED	0.254 X 36.5	M3604	12103948	A5	-	M3606440	(2) 1-0.8	3.15-1.4	217	102	11	4.9	6.4	1.8	0.7	-	1.15 ± 0.15	1.5
12077944	C2	OBSOLETE	0.254 X 36.5	M3604	-	-	-	-	(2) 0.5	2.4-2.2	220	102	11	3.6	5.9	1.3	0.7	-	0.9	1.5
12065951	E4	OBSOLETE	0.254 X 36.5	M3604	12065893	ES	-	M3606440	0.5-0.35	2.4-1.05	21	101	11	2.1 ± 0.2	3.5 ± 0.3	0.8	0.5	-	0.5	1
12065950	G4	OBSOLETE	0.254 X 36.5	M3604	12065894	ES	-	M3606440	1-8	3.15-1.4	17	101	1	3	3.4	0.8	0.5	0.3	0.5	1
12065940	E4	OBSOLETE	0.254 X 36.5	M3604	12065892	ES	-	M3606440	3-2	3.4-3	13	102	1	4.6	5.7	1	0.8	0.8	1	2
12065949	C1	INACTIVE	0.254 X 36.5	M3604	12065891	C1	INACTIVE	P3604	2-1	3.1-1.5	15	101	1	3.6	4.4	0.8	0.7	0.8	0.5	1.7

PART DRAWING	
STYLE	
VOLUME (OF)	DISTR CODE
	D

UNLESS OTHERWISE SPECIFIED THIS DOCUMENT IS IN ACCORDANCE WITH ASME Y14.5M-1994 AS MODIFIED BY THE IN CHARGE DIMENSIONING AND TOLERANCING MANUAL (DPM). ALL DIMENSIONS UNLESS OTHERWISE SPECIFIED ARE TO FACE UNLESS INDICATED OTHERWISE. DIMENSIONS NOT SHOWN BUT REQUIRED FOR TOOL BUILD, SEE MATH MODEL FOR PRECISE TOOL PATH DATA. ALL DIMENSIONS ARE IN MILLIMETERS.

DIMENSIONAL TOLERANCE		THIRD ANGLE PROJECTION	DO NOT SCALE
FROM	TO		
0	>12		
TOLERANCE UNLESS OTHERWISE SPECIFIED			
±0.1	±0.2		
ANGULAR TOLERANCE 2°			

**DELPHI**  
DELPHI PACKARD ELECTRICAL/ELECTRONIC ARCHITECTURE  
WREN, OH

DR	DATE
APV01 E. SALAZAR	16JL01
APV02 E. SALAZAR	16JL01
APV03 B. GROUBERT	16JL01
APV04	

UNLESS OTHERWISE SPECIFIED THIS DOCUMENT IS IN ACCORDANCE WITH ASME Y14.5M-1994 AS MODIFIED BY THE IN CHARGE DIMENSIONING AND TOLERANCING MANUAL (DPM). ALL DIMENSIONS UNLESS OTHERWISE SPECIFIED ARE TO FACE UNLESS INDICATED OTHERWISE. DIMENSIONS NOT SHOWN BUT REQUIRED FOR TOOL BUILD, SEE MATH MODEL FOR PRECISE TOOL PATH DATA. ALL DIMENSIONS ARE IN MILLIMETERS.

SEE CHART

TAXI TERM M/P 480 SPL

DRAWING NUMBER  
**12065899**

SCALE: 1 OF 1  
SHEET NO: 1 OF 1  
REV: R 04