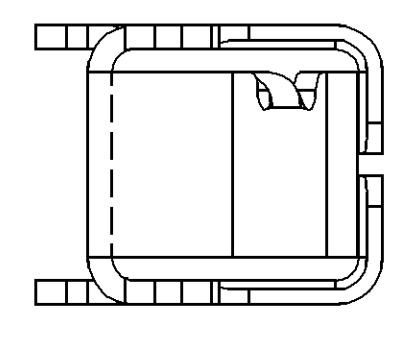
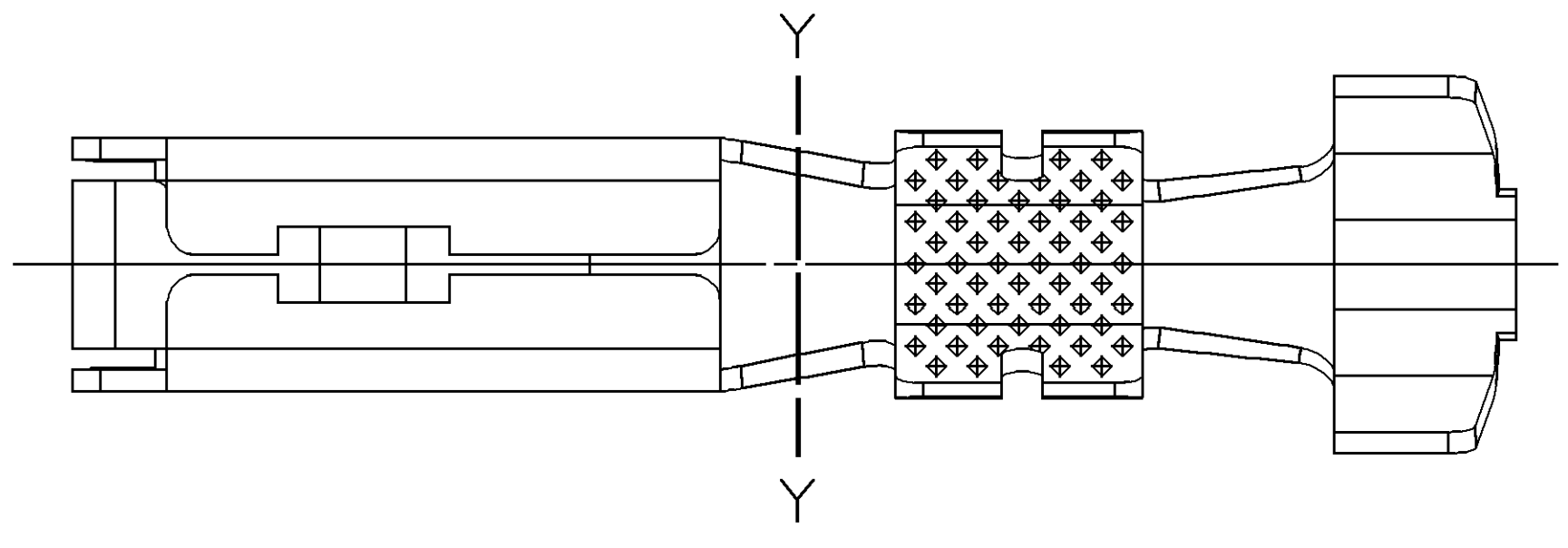


SYMBOL DEFINITION		MISSING NUMBERS	
A DIMENSION WITHOUT AN INSPECTION REPORT SYMBOL DOES NOT REQUIRE INSPECTION. IT MAY BE CONTROLLED ON AN INDIVIDUAL COMPONENT DRAWING.	TOTAL NO. OF SYMBOLS ON DRAWING	4	
	LAST NO. USED	7	

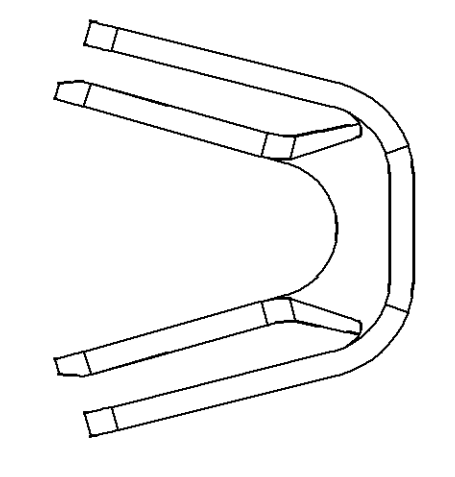
DWG STATUS				REVISION HISTORY				AUTH		DR		AP/VD	
DATE	STG	REV	N/P	CHG	ZONE								
16DE99	R	01	-	-		ALL PARTS - WERE SEPARATE DWGS AND REVISED GRAPHICS				197553	JHN	001	LF
08N001	R	02	-	-		12110843 & 44 - UPDATED PDM ATTRIBUTES				215045	MRL	MRL	DLB
05FE02	R	03	-	-		12110842 & 12129061 - UPDATED PDM ATTRIBUTES				220753	MRL	MRL	OSR
150C04	R	04	-	-		ALL PARTS - ADDED TERMINAL ID NOTE				260003	JBD	JVM	MKM
21JUL05	R	05	-	-		ALL PARTS - ADDED NOTE #3				269172	JBD	FRG	WTM
21JUL05	R	06	-	-		12110842-44 - CREATED NISSAN CUSTOMER PART DRAWING				265749	JTV	FKV	TAV
030C05	R	07	-	-		ALL PARTS - REVISED MATERIAL SPEC: 13543189, 13543190 & 13543191 - RELEASED				272805	CJP	CJP	CJP
03MY06	R	08	-	-		ALL PARTS - MAT'L SPEC WAS M1519009; 12110842 - UPDATED PDM ATTRIBUTES				279444	RTV	JVM	WTM



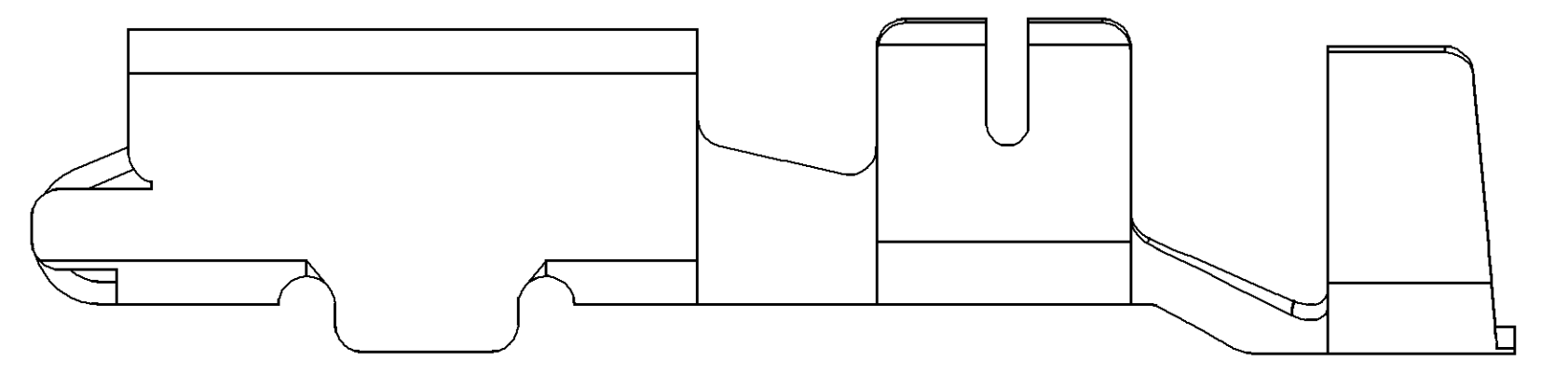
VIEW TO Y-Y



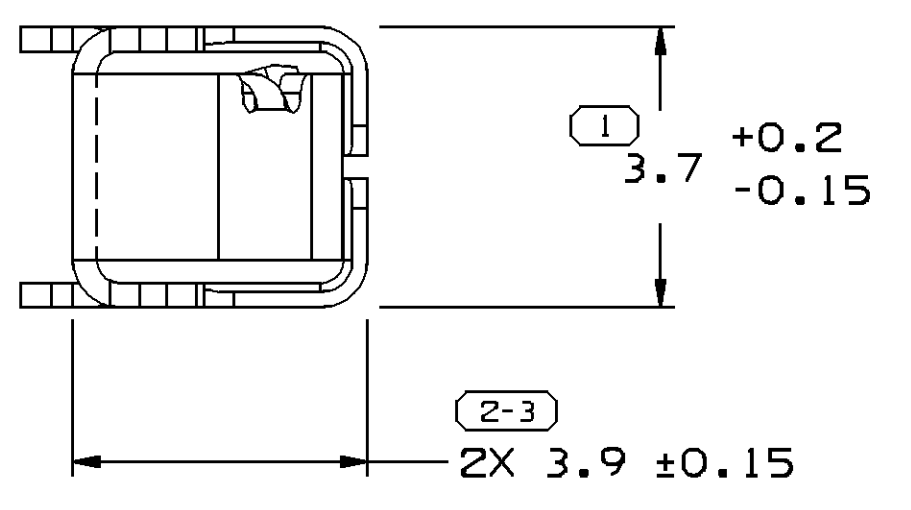
TYPE 102



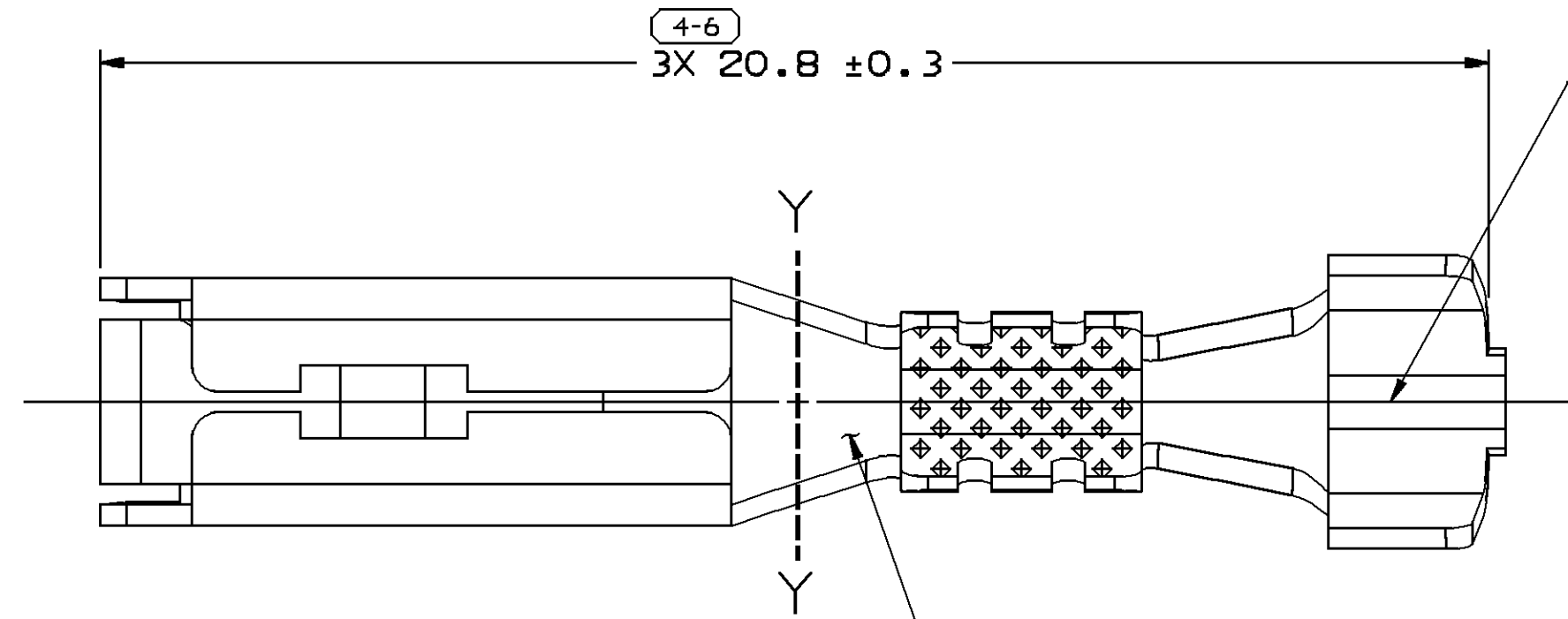
VIEW TO Y-Y



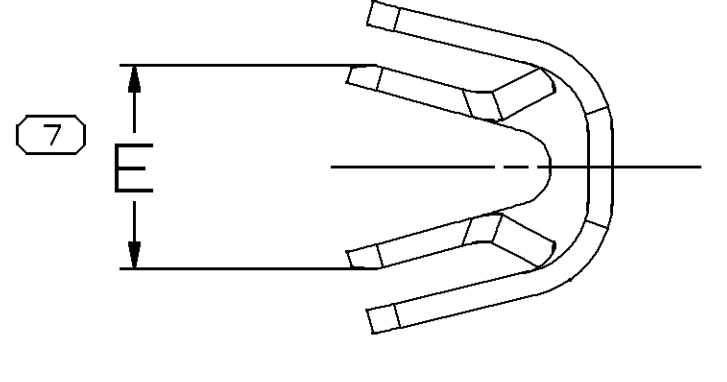
TYPE 101



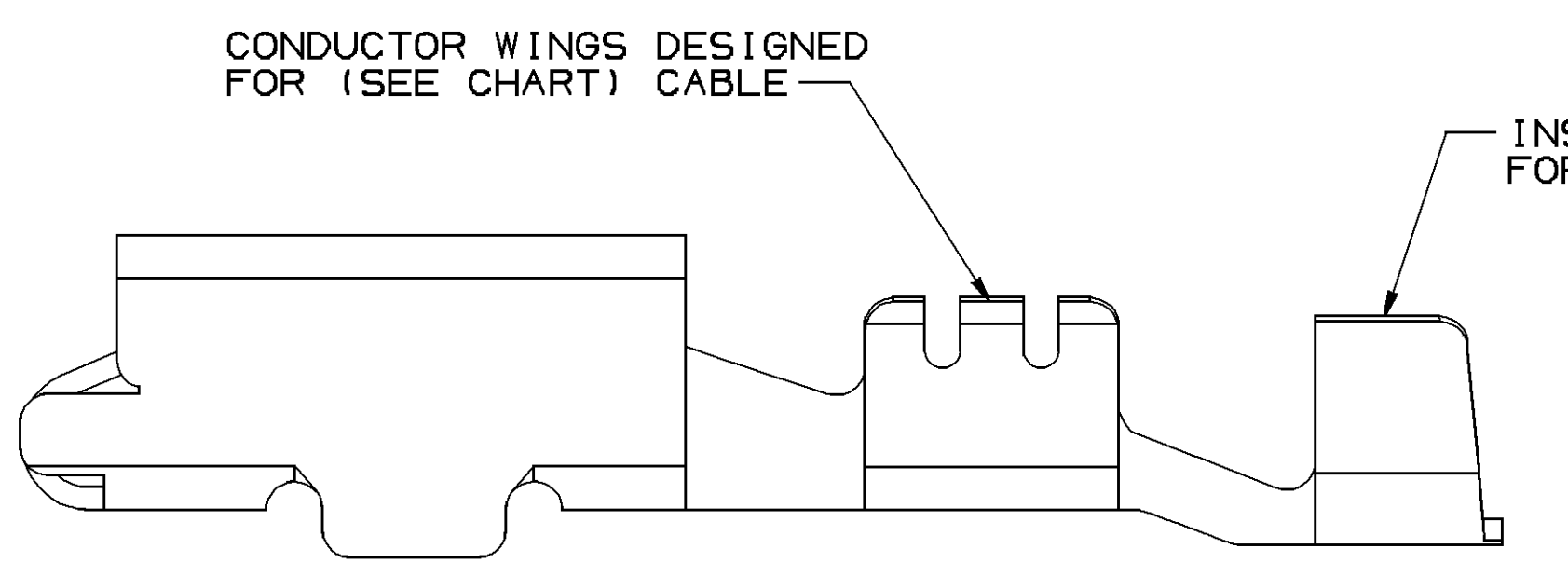
VIEW TO Y-Y



STAMP CABLE I.D. NUMBER ON UNDERSIDE IN THIS AREA WITH (0.6) HIGH CHARACTERS (SHOWN IN CHART). CHARACTERS MUST BE POSITIONED (PARALLEL OR PERPENDICULAR) TO CENTERLINE.

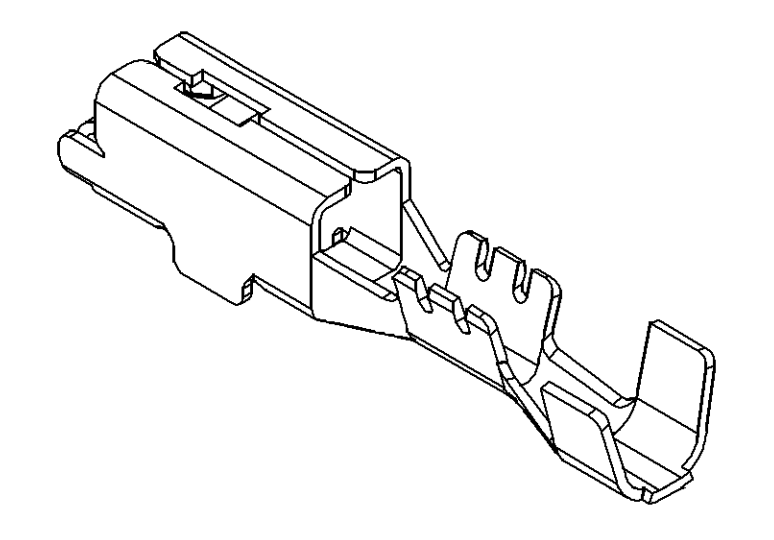


VIEW TO Y-Y



NOTES

- UNLESS OTHERWISE SPECIFIED AND/OR INDICATED:
DIMENSIONS ARE TO FACE OF VIEW SHOWN AND AUTOMATICALLY ROUNDED BY COMPUTER FOR INSPECTION. (SEE MATH MODEL FOR PRECISE DIMENSIONS.) FOR ALL OTHER DIMENSIONS NOT SHOWN BUT REQUIRED FOR TOOL BUILD, SEE MATH MODEL FOR PRECISE TOOL PATH DATA.
- REFERENCE MATING COMPONENTS OR EQUIVALENT:
TERMINAL 12048159
- DO NOT PROBE, TEST OR OTHERWISE CONTACT THE INTERIOR REGION (THE SPRING OR ANY MOVING PART) OF THIS TERMINAL. SEVERE DAMAGE CAN OCCUR, COMPROMISING THE PERFORMANCE OF THE ELECTRICAL INTERFACE.
- "PXX" INDICATES "P" PLUS LAST TWO DIGITS OF MAKE DIE SERIES NUMBER (P01, P02, P03, ETC).



VIEW SCALE DOES NOT REFLECT ACTUAL PART SIZE

PART NO	REV	N/P	STATUS	PART NO	REV	N/P	STATUS	MAT'L SIZE	MAT'L SPEC	SIZE (MM)	DIA	ID	TYPE
15317768	A6	-	-	-	-	-	-	0.32 X 31.75	M1574009 C42500 EX HD	0.5-0.35	1.3-1.1	21	101
12129061	A7	-	-	-	-	-	-	0.32 X 31.75	M1574009 C42500 EX HD	2-0.35	2.1-1.3	222	101
12110844	F10	-	-	13543189	01	AA	-	0.32 X 31.75	M1574009 C42500 EX HD	1-0.8	2.64-1.96	17	101
12110843	F8	-	-	13543190	01	AA	-	0.32 X 31.75	M1574009 C42500 EX HD	0.5-0.35	2.19-1.47	21	101
12110842	F11	-	-	13543191	01	AA	-	0.32 X 31.75	M1574009 C42500 EX HD	3-2	3.65-2.5	13	102
PART NO REV N/P STATUS PART NO REV N/P STATUS MAT'L SIZE MAT'L SPEC SIZE (MM) DIA ID TYPE													
STRIP FORM				LOOSE PIECE				CABLE		E			

PROCESS SENSITIVE DIMENSION	
DIMENSIONS ENCLOSED IN () INDICATE REFERENCE DIMENSIONS AND NO TOLERANCE LIMITS ARE ESTABLISHED	CHART D
DIMENSIONAL RANGE (MM)	>12
FROM 0 TO 12	
TOLERANCE UNLESS OTHERWISE SPECIFIED	
+0.1	+0.2
ANGULAR TOLERANCE 22°	

PART DRAWING	
STYLE	D
VOLUME 10/1	DISTR CODE
UNLESS OTHERWISE SPECIFIED	
PERFECT FORM REQUIRED FOR FEATURES OF SIZE AT MAX. THESE FEATURES SHALL BE FINISHED AND RELATED TO THE APPLICABLE CONDITION OF SIZE INDICATED IN FEATURE CONTROL FRAME. ALL OTHER GEOMETRIC TOLERANCES AND RELATED DATUMS APPLY SEPARATELY. SEPARATE FEATURE CONTROL CALLOUTS MAY BE SHOWN SEPARATELY, RESPECTIVE OF DATUM REFERENCE.	
ALL DIMENSIONS ARE IN MILLIMETERS	
THIRD ANGLE PROJECTION	DO NOT SCALE
USE MATH DATA	UNIMAPHICS

DELPHI
DELPHI PACKARD ELECTRIC SYSTEMS
WARREN, MI

DR	DATE
APV01 JOSE HDEZ. NOVOA	16DE99
APV02 G. G. IZQUIERDO	23DE99
APV03 L. F.	23DE99
APV04	
APV05	

SUBSTANCES OF CONCERN AND RECYCLED CONTENT PER DELPHI 10949001

DRAWING NAME: TAXI TERM F M/P 280

DRAWING NUMBER: 12110858

SIZE	SCALE	FRAME NO	SHEET NO	REV	N/P
A0	10:1	1	1	1	OF 1
				R	08