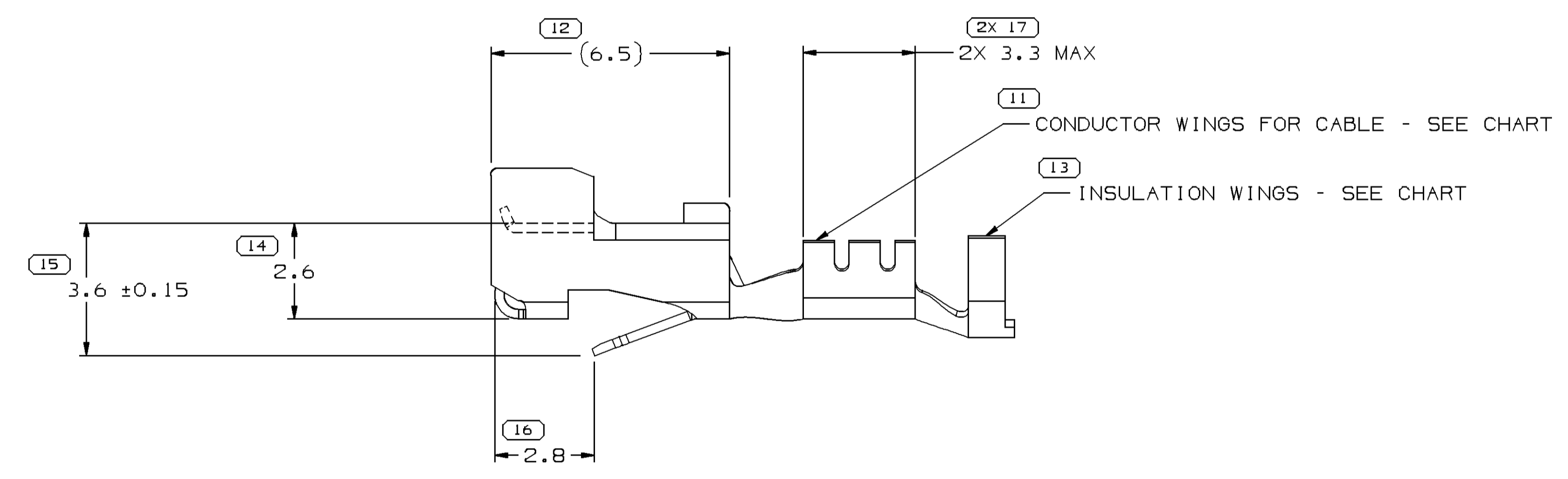
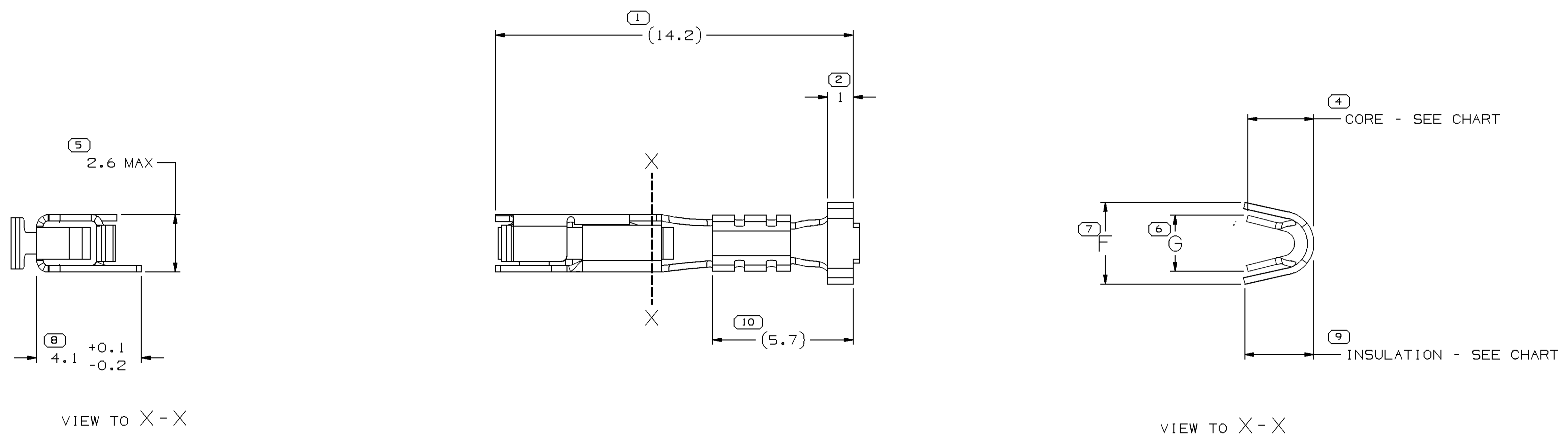
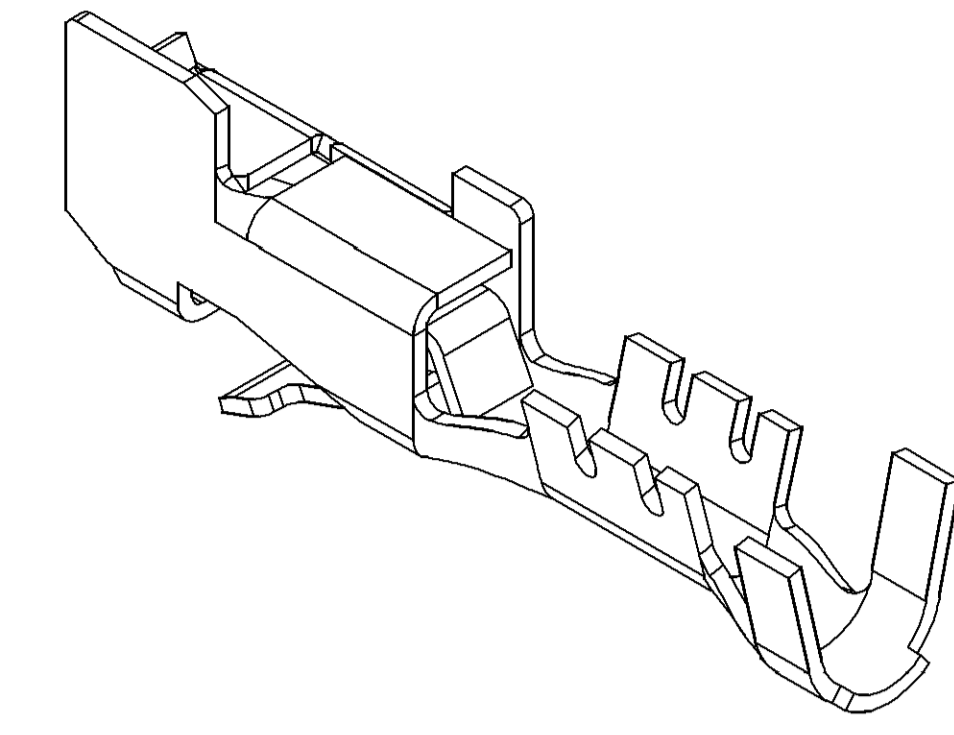


SYMBOL DEFINITION		TOTAL NO OF INSPECTIONS REQUIRED	MISSING SYMBOLS
A DIMENSION WITHOUT AN INSPECTION REPORT SYMBOL DOES NOT REQUIRE INSPECTION. IT MAY BE CONTROLLED ON THE INDIVIDUAL COMPONENT DRAWING.		17	3
	LAST NO. USED	17	

DWG STATUS				REVISION HISTORY				AUTH	DR	APVD	APVD
DATE	STG	REV	N/P	CHG	ZONE						
17DE01	R	13	-	-		CLEARED REV COL: ALL PARTS - REVISED TOLERANCE CRIMP WINGS	218778	AFM	EDV	GM	
26FE04	R	14	-	-		ALL PARTS - CREATED SOLID MODEL	241869	RAO	EAR	B8	
26FE04	R	15	-	-		ALL PARTS - UPDATED MAT'L SPEC	245025	RAO	EAR	B8	
180C05	R	16	-	-		REMOVED DIM # 3	272913	EFS	JVM	B8	
02AU06	R	17	-	-		ALL PARTS - ADDED 3.3 MAX DIM	283169	TLD	TLD	B8	
22JA08	R	18	-	-		ALL PARTS - UPDATED PDM ATTRIBUTES	403618	MAC	MAC	B8	
04FE08	R	19	-	-		ALL PARTS - UPDATED PDM ATTRIBUTES	403722	RH	RH	B8	
06AU15	R	20	-	-		15304790 MAKE OBSOLETE	429950	PCE	LES	VMR	
05MY16	R	21	-	-		12124075, 76 & 12161184 - UPDATED PDM ATTRIBUTES	432949	NRM	LES	LES	



NOTES
 1. UNLESS OTHERWISE SPECIFIED AND/OR INDICATED:
 DIMENSIONS ARE TO FACE OF VIEW SHOWN AND AUTOMATICALLY ROUNDED BY COMPUTER FOR INSPECTION (SEE MATH MODEL FOR PRECISE DIMENSIONS). FOR ALL OTHER DIMENSIONS NOT SHOWN BUT REQUIRED FOR TOOL BUILD, SEE MATH MODEL FOR PRECISE TOOL PATH DATA.

PART NO	REV/N/P	MAT'L SIZE	MAT'L SPEC	PART NO	REV/N/P	MAT'L SPEC	SIZE (MM²)	CABLE DIA	ID	F _{0.3}	G _{0.2}	CORE	INSULATION
-	-	0.254 X 26.97	-	15304790	03	AH	TIN PLATED COPPER ALLOY	1-0.8	2.78-2.62	17	4.3	2.7	2.8
-	-	0.254 X 26.97	-	12161184	03	AH	TIN PLATED COPPER ALLOY	1-0.8	2.4-2.03	17	4.3	2.7	-
-	-	0.254 X 26.97	-	12124076	05	AH	TIN PLATED COPPER ALLOY	0.5-0.35	2.2-1.3	21	3.2	2.2	2.8
-	-	0.254 X 26.97	-	12124075	05	AH	TIN PLATED COPPER ALLOY	1-0.8	2.4-2.03	17	4.3	2.7	2.8

DELPHI
 DELPHI PACKARD ELECTRICAL/ELECTRONIC ARCHITECTURE
 WARREN, OH
 COPYRIGHT 1999 DELPHI CORPORATION AND/OR ITS AFFILIATES. ALL RIGHTS RESERVED.
 THIS DRAWING IS THE PROPERTY OF DELPHI CORPORATION AND CONTAINS DELPHI CONFIDENTIAL INFORMATION. THE REPRODUCTION, DISTRIBUTION AND UTILIZATION OF THIS DOCUMENT OR ITS CONTENTS OR BOTH DATA AS WELL AS COMMUNICATION OF ANY CONTENT TO OTHERS, WITHOUT EXPRESS AUTHORIZATION, IS PROHIBITED.

DATE: 26 JUN 99
 OR: S. ALVARADO
 APV02 J. VILLAMIL
 APV03 J. VILLAMIL
 APV04

SUBSTANCES OF CONCERN AND RECYCLED CONTENT PER DELPHI (0944901)

DRAWING NAME: TAXI TERM F M/P 150.2 TANG
 DRAWING NUMBER: 12124077

SIZE: A0 SCALE: 10:1 FRAME NO: 1 OF 1 SHEET NO: 1 OF 2 STG: R 21

15	PROCESS SENSITIVE DIMENSION
	DIMENSIONS ENCLOSED IN () INDICATE REFERENCE DIMENSIONS AND NO TOLERANCE LIMITS ARE ESTABLISHED
	UNLESS OTHERWISE SPECIFIED
	THIS DOCUMENT IS IN ACCORDANCE WITH ASME Y14.5M-1994 AS INDICATED BY THE 0M SYMBOL DIMENSIONING AND TOLERANCING ADDENDUM - 1997. ALL GEOMETRIC TOLERANCES AND RELATED DATUMS APPLY UNLESS RULE #1 INSPECT FROM AT MFC DOES NOT APPLY WHEN RELATIONSHIP BETWEEN FEATURES IS ESTABLISHED BY ORIENTATION OR LOCATION TOLERANCES. SEPARATE POSITION CALLOUTS MAY BE SAVED SEPARATELY, IRRESPECTIVE OF DATUM REFERENCE.
	ALL DIMENSIONS ARE IN MILLIMETERS
	REFERENCE
	THIRD ANGLE PROJECTION
	DO NOT SCALE
	USE MATH DATA
	ANGULAR TOLERANCE ±0.2°