

SNOWCONE CHARACTERISTICS

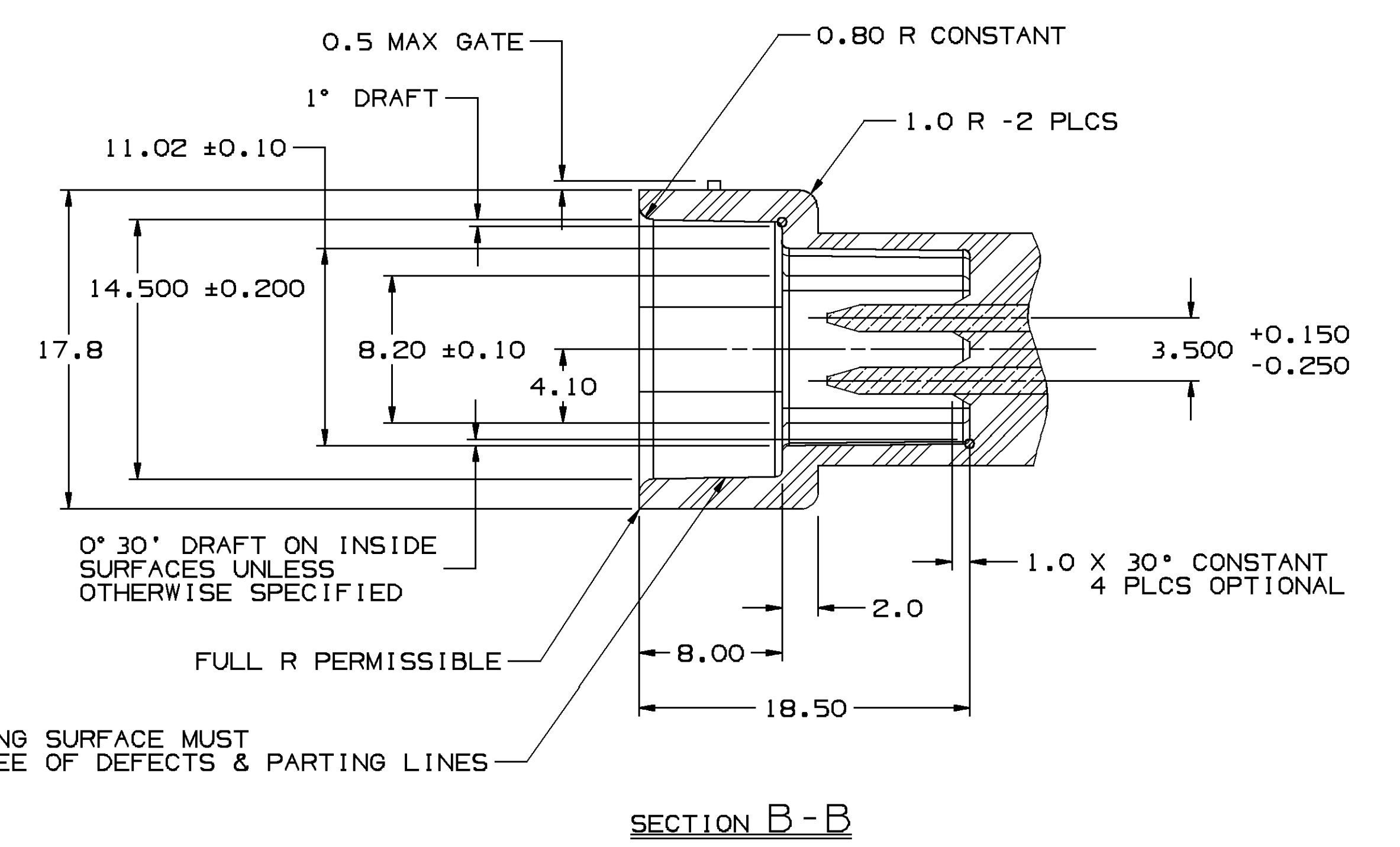
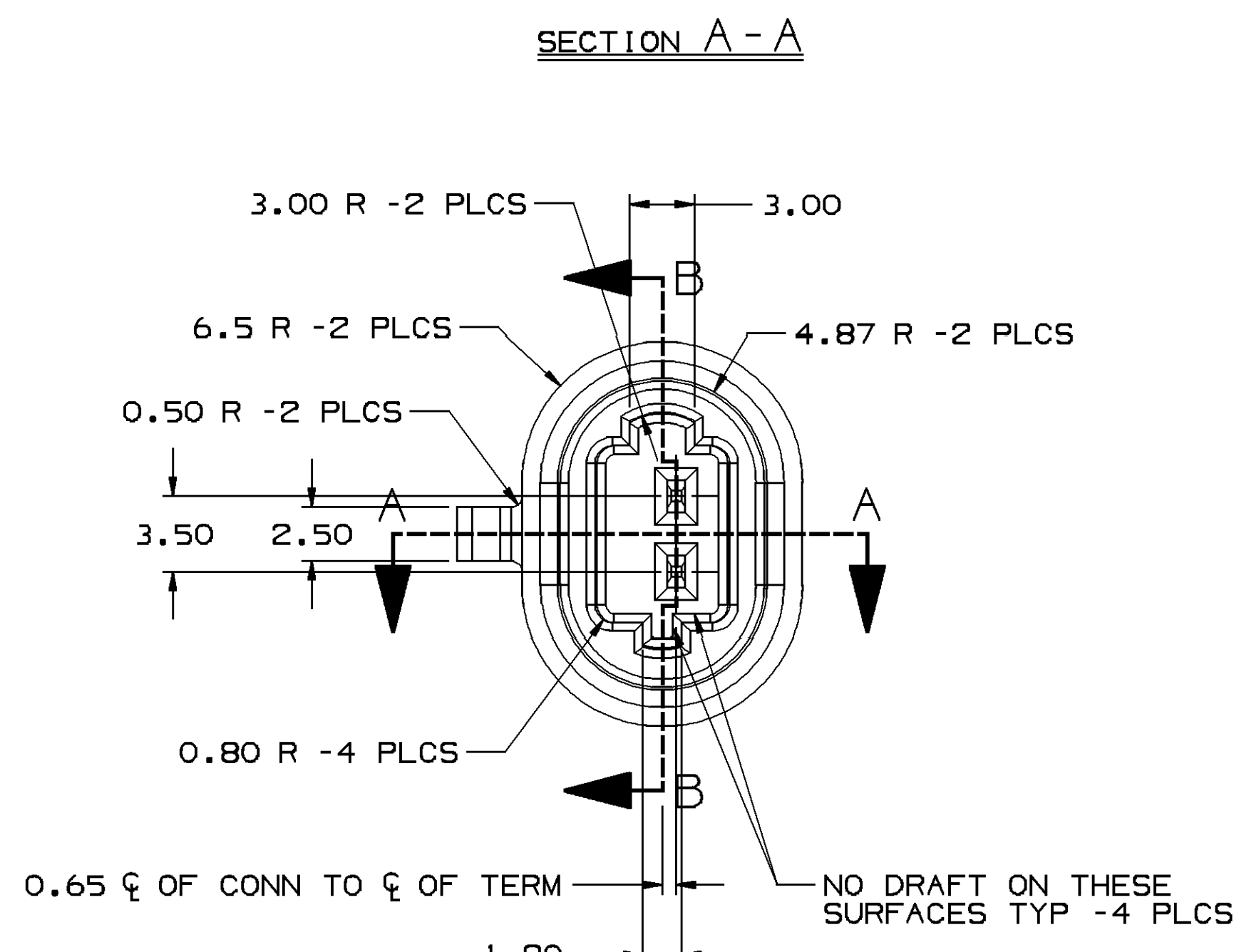
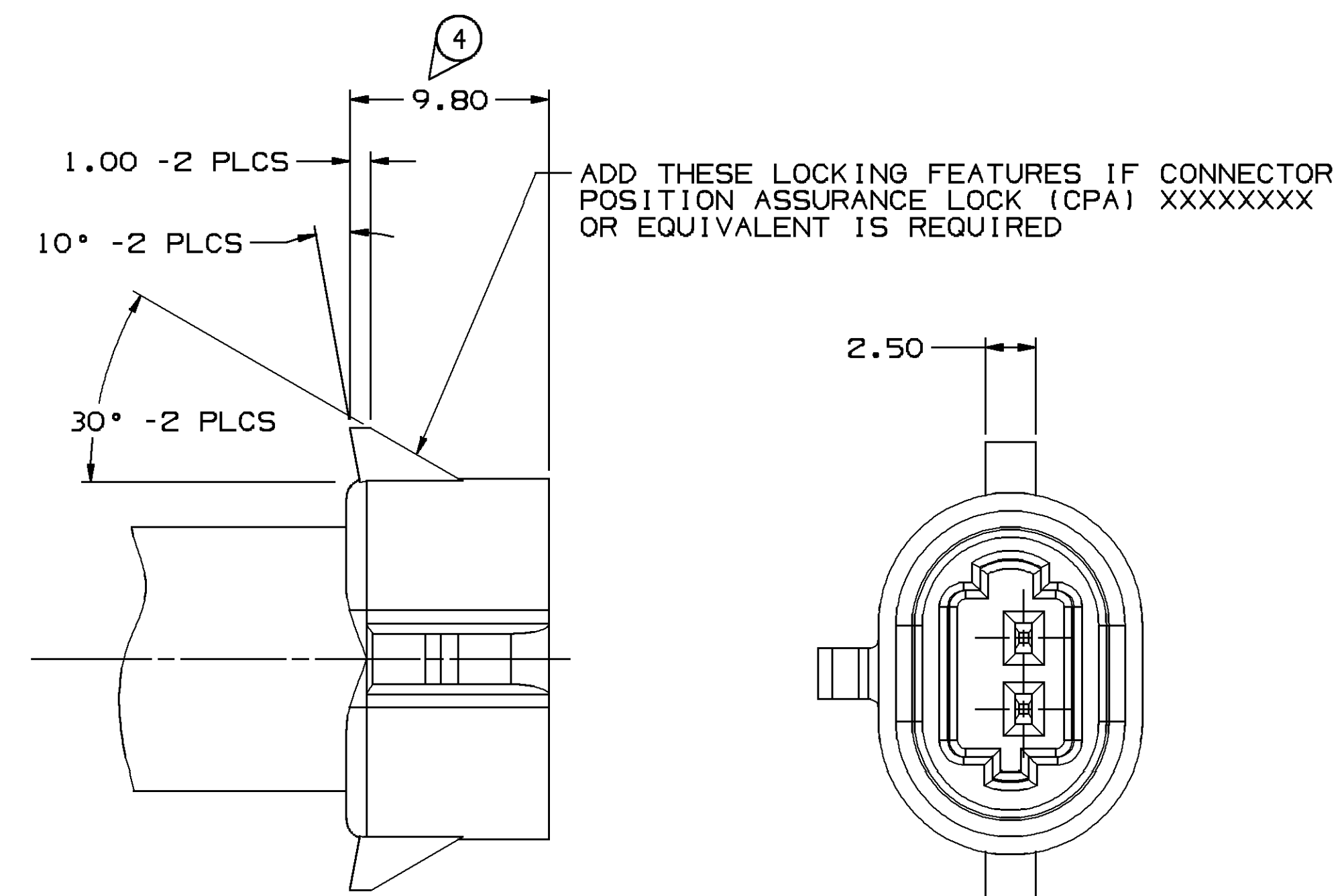
DATE	SYM	REVISION RECORD	AUTH	DR	CK
05AP97		ALL PARTS - REVISED			
		- NO REV UPDATE REQ'D	178177	JH	PKY
05AP97		15326143 - RELEASED TO			
		REV "A"	970005	JH	PKY
03JA14		ALL PARTS - ADDED			
		LUBEWELL LUBRICANT NOTE	424986	JVR	KRM

DATE	SYM	REVISION RECORD	AUTH	DR	CK
05AP97		ALL PARTS - REVISED			
		- NO REV UPDATE REQ'D	178177	JH	PKY
05AP97		15326143 - RELEASED TO			
		REV "A"	970005	JH	PKY
03JA14		ALL PARTS - ADDED			
		LUBEWELL LUBRICANT NOTE	424986	JVR	KRM

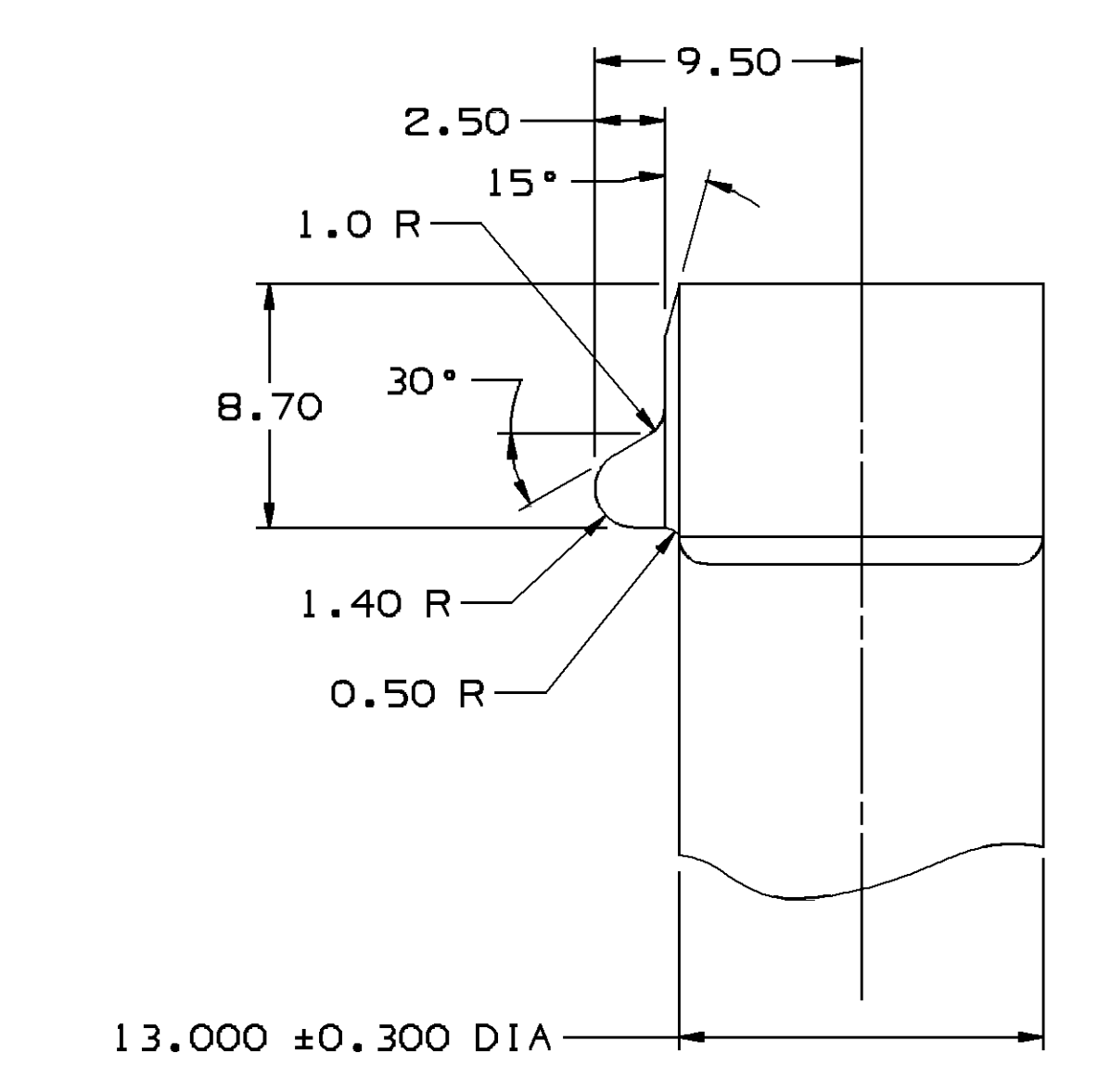
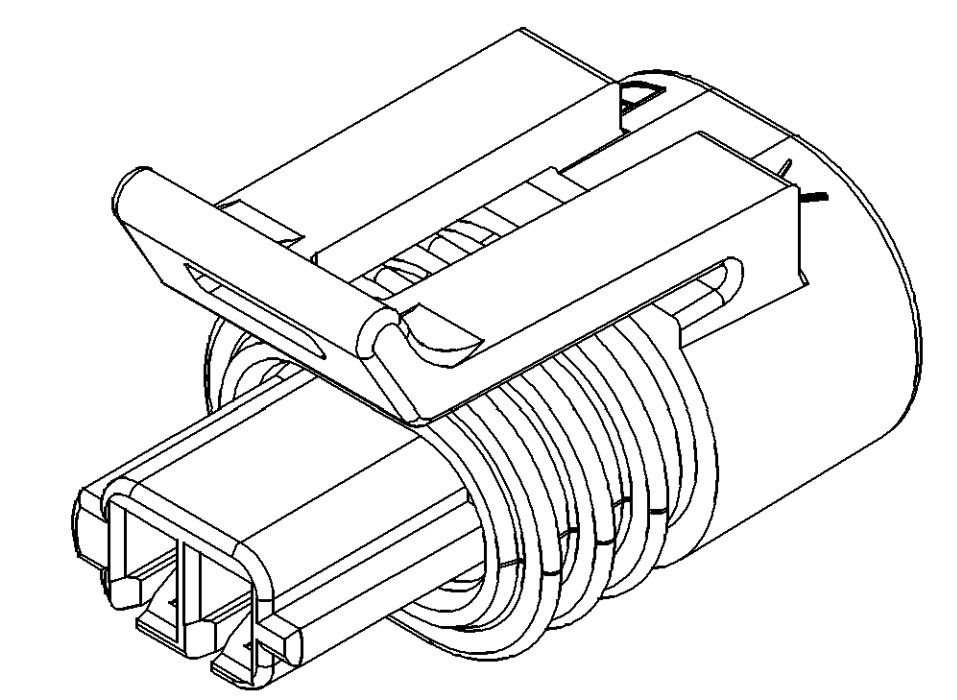
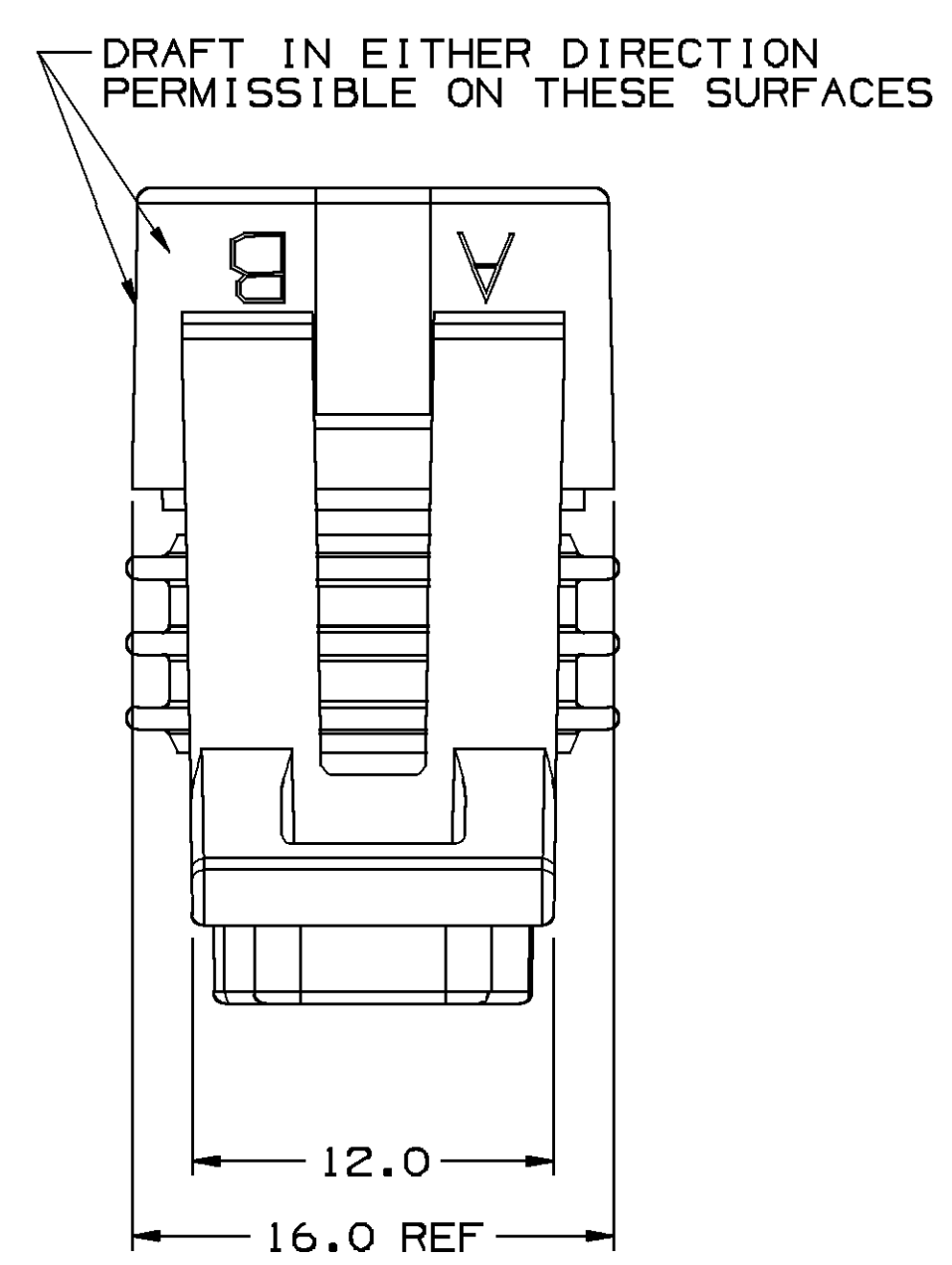
MATERIAL SPECIFICATIONS

RECOMMENDED
 BASE METAL - CDA-210, EXTRA SPRING TEMPER
 PLATING - 0.0050±0.0025 MM THICK TIN

MINIMUMS
 ELECTRICAL CONDUCTIVITY - ≥20% IACS AT 20°C. USE OF A MATERIAL WITH CONDUCTIVITY < 20% IACS MUST BE APPROVED BY PACKARD ELECTRIC MATERIALS ENGINEERING.
 TENSILE STRENGTH - 407 MPa
 PLATING - FOR LOW ENERGY (≤5V) AND NON-PASSENGER COMPARTMENT POWER CIRCUITS, 0.0050±0.0025 MM THICK TIN. FOR MATERIALS CONTAINING 10% OR MORE ZINC, AN UNDERPLATE OF COPPER 0.0050±0.0025 MM THICK IS REQUIRED.
 BLADE THICKNESS
 UNPLATE = 0.813±0.025
 TIN PLATE = 0.823±0.030



MATING BLADE INFORMATION
 SCALE 8:1



NOTES:

- UNLESS OTHERWISE SPECIFIED AND/OR INDICATED: DIMENSIONS ARE TO FACE OF VIEW SHOWN AND AUTOMATICALLY ROUNDED BY COMPUTER FOR INSPECTION. (SEE MATH MODEL FOR PRECISE DIMENSION) FOR ALL OTHER DIMENSIONS NOT SHOWN BUT REQUIRED FOR TOOL BUILD, SEE MATH MODEL FOR PRECISE TOOL PATH DATA. ALL RADII 0.40
- NO DRAFT PERMISSIBLE ON PART UNLESS SPECIFIED.

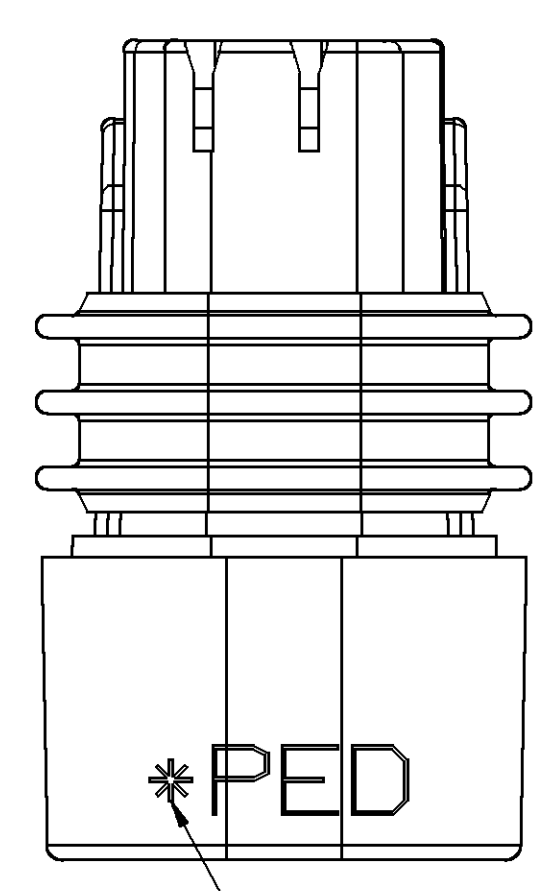
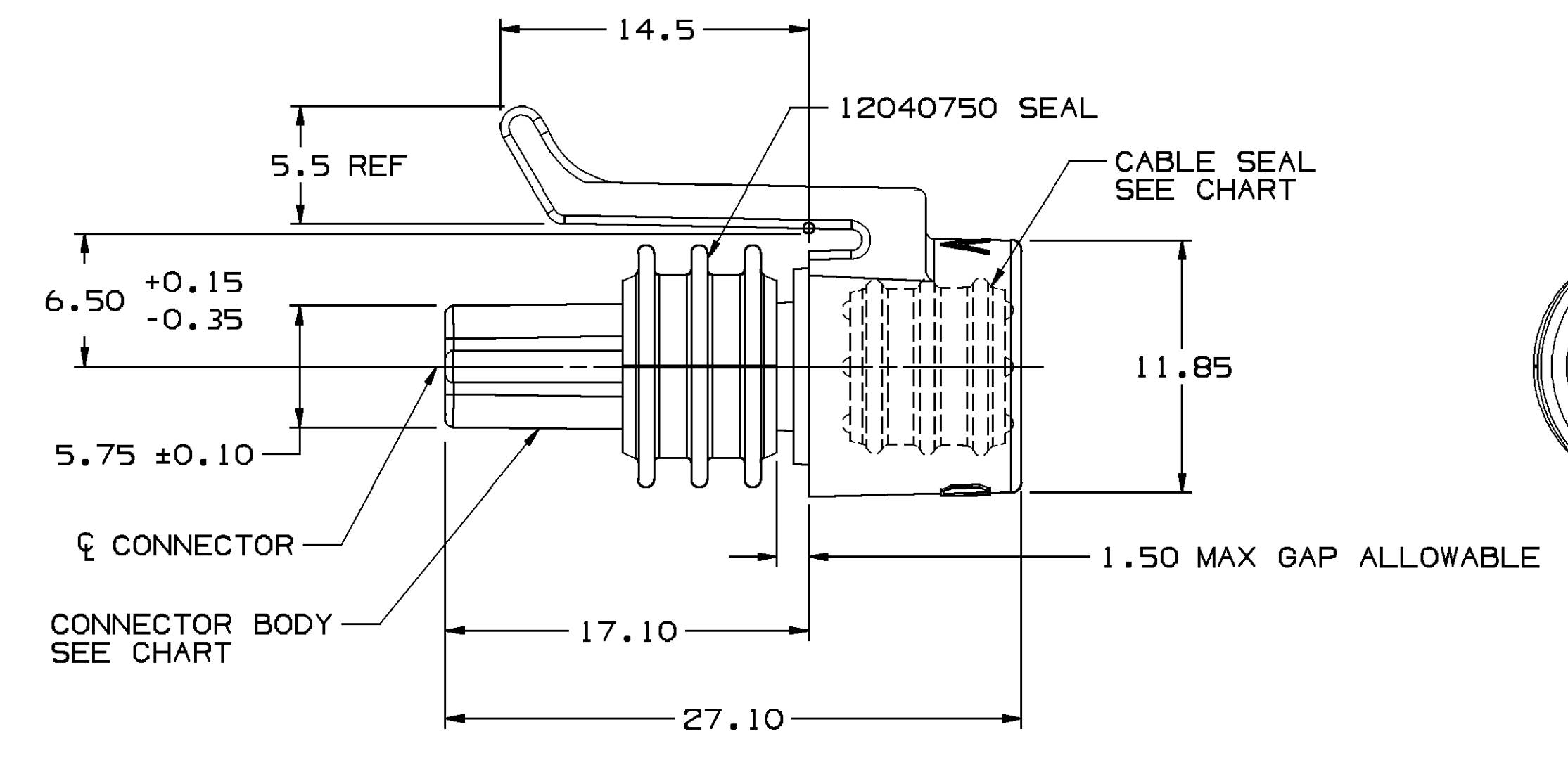
MATING CONNECTOR INFORMATION

NOTES:

- UNLESS OTHERWISE SPECIFIED AND/OR INDICATED: DIMENSIONS ARE TO FACE OF VIEW SHOWN AND AUTOMATICALLY ROUNDED BY COMPUTER FOR INSPECTION. (SEE MATH MODEL FOR PRECISE DIMENSION) FOR ALL OTHER DIMENSIONS NOT SHOWN BUT REQUIRED FOR TOOL BUILD, SEE MATH MODEL FOR PRECISE TOOL PATH DATA. CAVITIES ARE IDENTICAL
- MATING COMPONENTS: CONNECTOR 12041409 OR EQUIVALENT TERMINAL 12124075 OR EQUIVALENT
- WHEN PARTS ARE SHIPPED, THEY MUST BE PACKED IN PLASTIC BAGS OR SHIPPING CONTAINERS MUST BE LINED WITH PLASTIC LINERS BAGS OR LINERS MUST BE SEALED TO AVOID ENTRY OF FOREIGN MATTER
- FOR LEAD LENGTH CALCULATIONS, DISTANCE FROM MATING END OF CONNECTOR TO FRONT OF CABLE CORE IS 8.60 ±1.55
- SEALING CODE 3

DESIGN WILL PASS SALT FOG AND IMMERSION TEST AFTER CONDITIONING AS SPECIFIED IN ESA-644 (WEATHER-PACK) ESA-710 (METRI-PACK) ESA-650 (UNDERHOOD MICRO-PACK) C-4006 (WORLD CONNECTOR) ETC. - WHEN MATED TO MATING PART OR EQUIVALENT

- DIMENSIONS MARKED "REF" ARE FOR REFERENCE ONLY AND NO TOLERANCE LIMITS ARE ESTABLISHED
- S-60-T LUBEWELL LUBRICANT CAN BE USED AS AN AUXILIARY SUPPORT ON THE CABLE INSTALLATION PROCESS.



15326143	AI	15326141	BLACK	12040750	BLUE	12040751	GREEN
12162199	AI	12162196	MD GRAY	12040750	BLUE	12110169	LT ORN
12162198	AI	12162196	MD GRAY	12040750	BLUE	12078083	TAN
12162197	AI	12162196	MD GRAY	12040750	BLUE	12040751	GREEN
ASM	REV	PART NO	COLOR	PART NO	COLOR	PART NO	COLOR
		CONNECTOR		CONNECTOR SEAL		CABLE SEAL	

PART NO
1216 2265

PART NO
1216 2265

ISSUING TYPE PID	OTHER DRAWINGS AVAILABLE
Utgrophics II	METRIC DIMENSIONS ARE IN MILLIMETERS UNLESS OTHERWISE SPECIFIED
THIRD ANGLE PROJECTION	TOLERANCE UNLESS OTHERWISE SPECIFIED DECIMAL ANGULAR ± 2°
CODE NO 6900	QC -C-5110
DWG DATE 07FE94	DR E. BEILSTEIN 07FE94
SCALE 4:1	CK E. BEILSTEIN 07FE94
REFERENCE NO	APP S.J. VUKMER 15FE94
MATERIAL SPEC	VOL CM³
SEE DRAWING	
NAME TAXI ASM CONN 2F M/P 150.2 P25	SIZE A0
PART NUMBER 1216 2265	

DELPHI PACKARD ELECTRIC SYSTEMS
WARREN, OHIO 44090

151 P. 5086
Date: 15-Jan-14 Time: 15:12