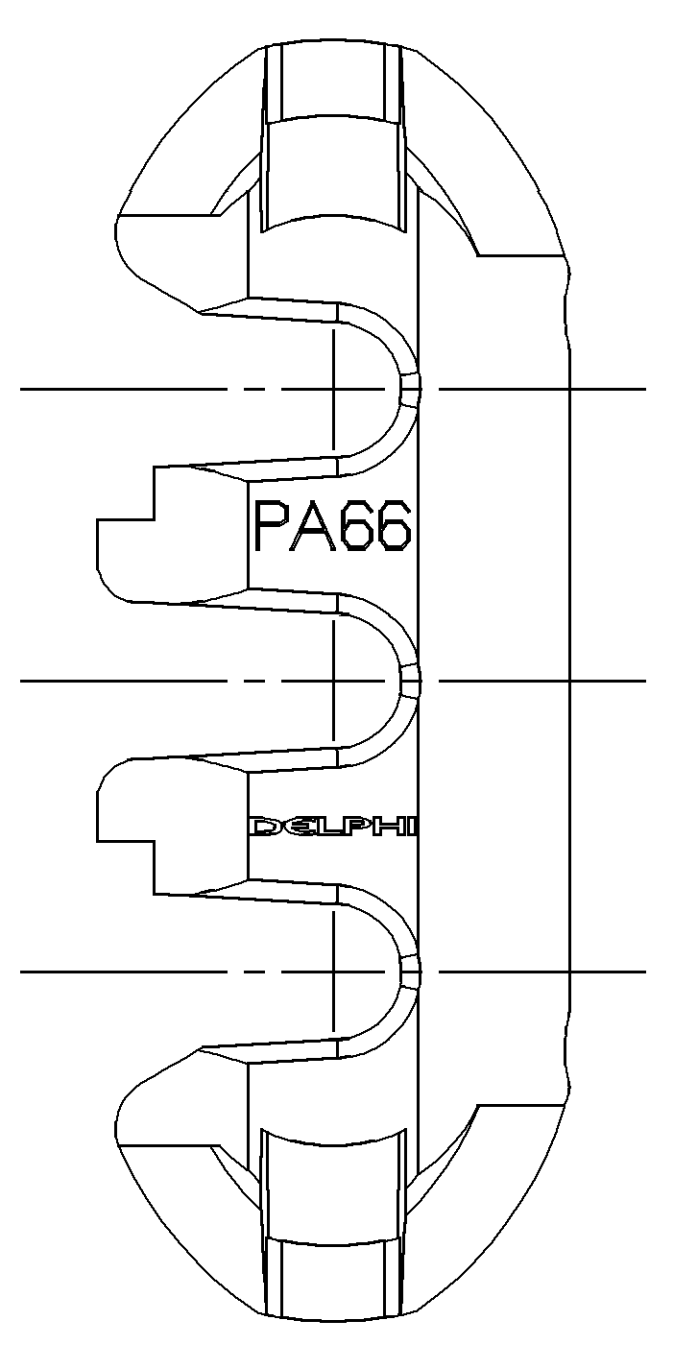
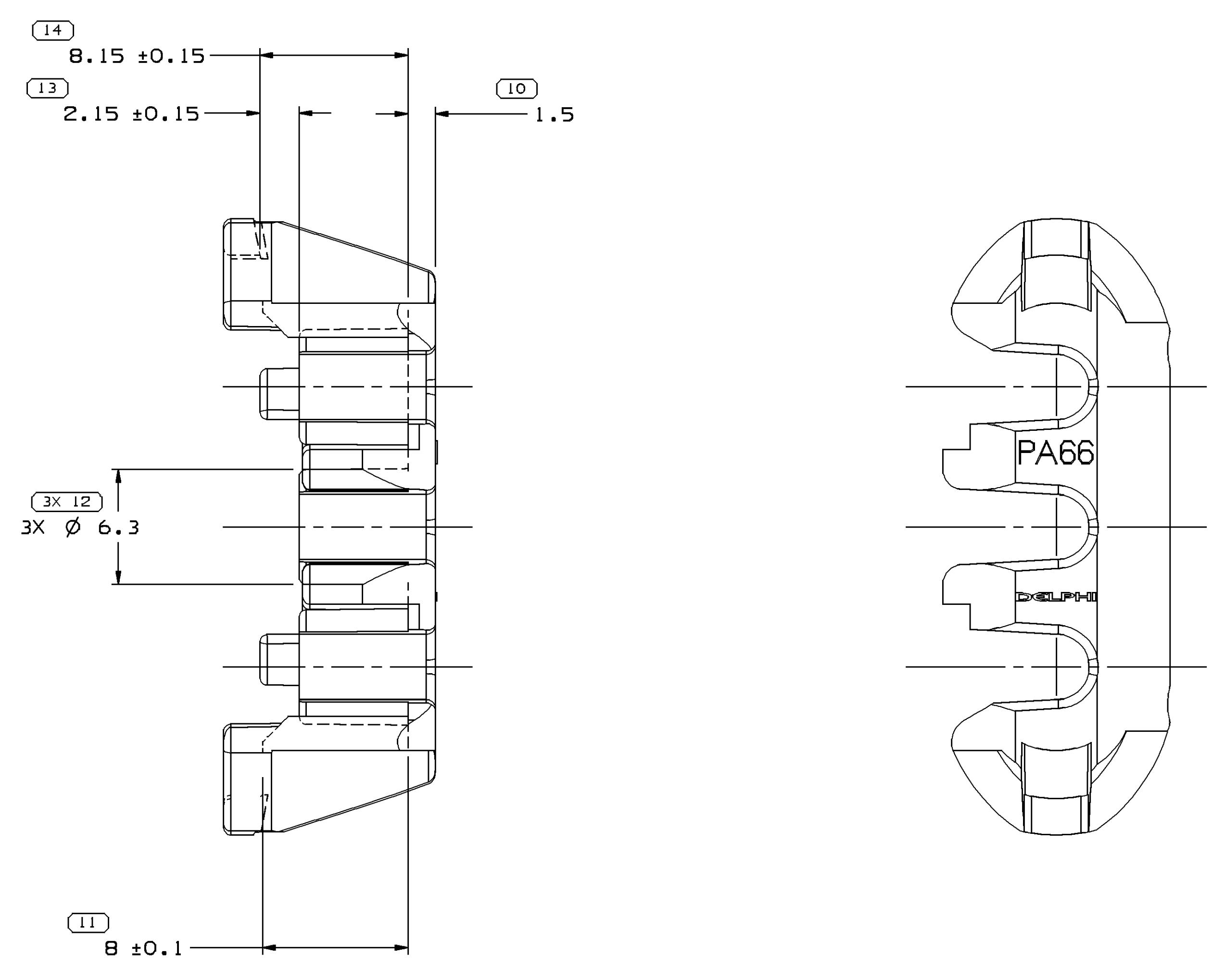
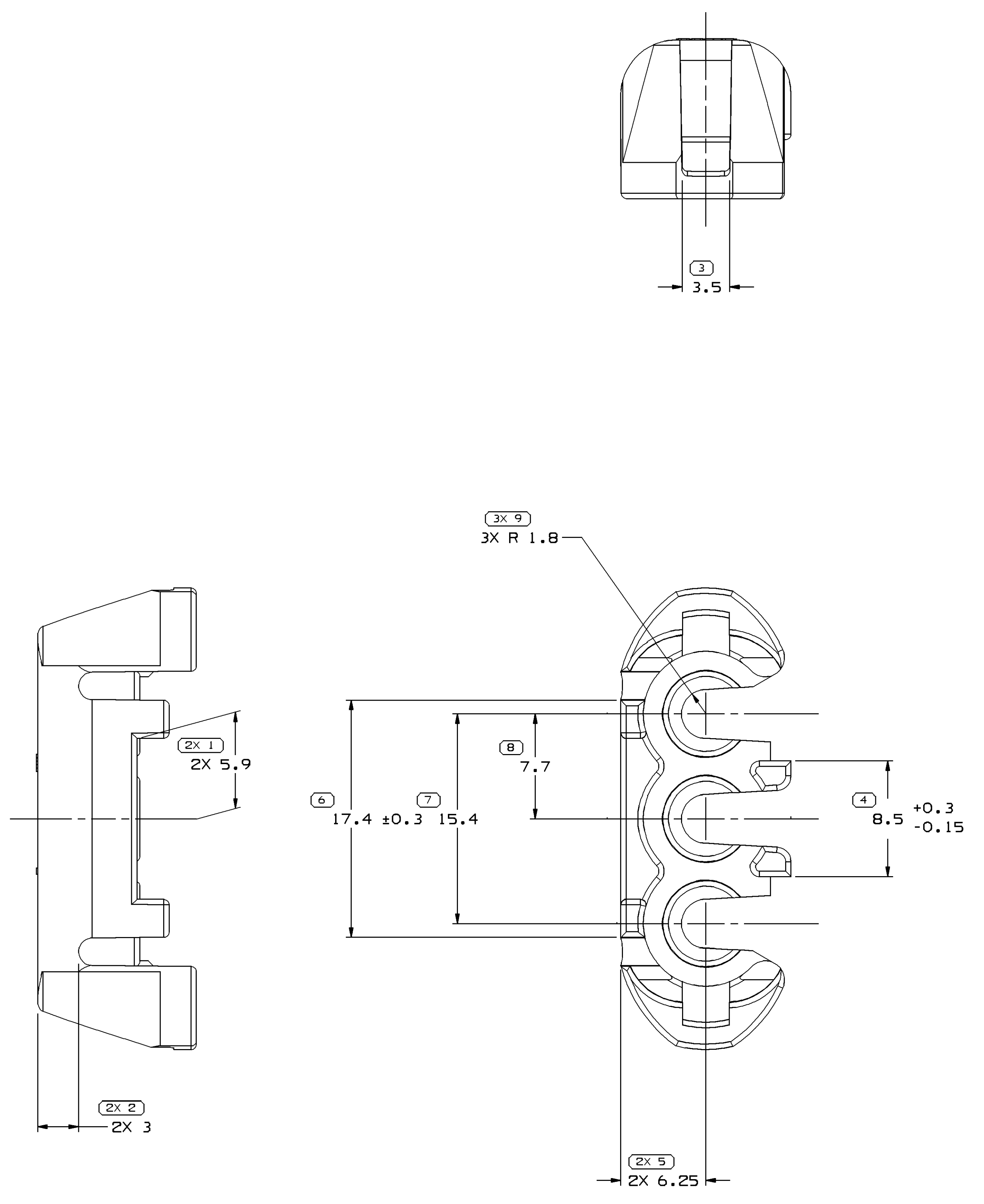


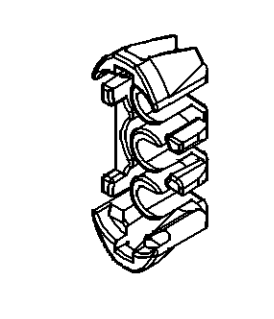
SYMBOL DEFINITION		MISSING SYMBOLS	
A DIMENSION WITHOUT AN INSPECTION REPORT SYMBOL DOES NOT REQUIRE INSPECTION. IT MAY BE CONTROLLED ON THE INDIVIDUAL COMPONENT DRAWING.	TOTAL NO OF INSPECTIONS REQUIRED	NO MISSING SYMBOL NUMBER	
	21		
	LAST NO. USED		
	14		

DWG STATUS				REVISION HISTORY				AUTH		DR		AP/VD	
DATE	STG	REV	N/P	CHG	ZONE								
23MY02	R	01	-	-		ALL PARTS - CREATED PD, ADDED NOTES & REVISED MAT'L SPEC				225040	LEB	LEB	ET
110C02	R	02	-	-		12162422-MAT'L SPEC WAS M3596002 PA66 BLK & 15300015-MAT'L SPEC WAS M3596001 PA66 NAT				230156	RCH	RCH	RC
21MR06	R	03	-	-		15300015 - MAT'L SPEC WAS M3592002				278614	ACB	FRG	PYP



NOTES

- UNLESS OTHERWISE SPECIFIED AND/OR INDICATED: DIMENSIONS ARE TO FACE OF VIEW SHOWN AND AUTOMATICALLY ROUNDED BY COMPUTER FOR INSPECTION (SEE MATH MODEL FOR PRECISE DIMENSIONS). FOR ALL OTHER DIMENSIONS NOT SHOWN BUT REQUIRED FOR TOOL BUILD, SEE MATH MODEL FOR PRECISE TOOL PATH DATA. ALL RADII 0.4
DRAFT 15 1° MAX ON ALL OUTSIDE & INSIDE SURFACES
LOCKING FEATURES ARE IDENTICAL
- MATERIAL RECYCLING CODE >PA66< PER SAE J1344. (1.5)X(0.1) RAISED CHARACTERS AS SHOWN TO BE LOCATED ON ANY EXTERIOR SURFACE. OPTIONAL CONSTRUCTION TO BE NO MATERIAL RECYCLING CODE.
- THIS PART IS NOT CONTROLLED FOR AUTOMATIC FEEDING.
- MATING COMPONENTS OR EQUIVALENT:
CONNECTOR 15300003
MAX CABLE THAT WILL FIT PART IS Ø3.6
- (1.5)X(0.1) RAISED DELPHI CORPORATE BRAND TO BE LOCATED ON ANY EXTERIOR SURFACE, PREFERABLY VISIBLE AT FINAL ASSEMBLY. OPTIONAL CONSTRUCTION TO BE "PED" OR NO LOGO.



PART NO	STG	REV	N/P	STATUS	MATERIAL SPECIFICATION AND COLOR	VOLUME
15300015	-	12	-	-	M3592024 PA66 HS IM CRM	1.267
12162422	-	04	-	-	M3592001 PA66 IM HS BLK	1.267

DIMENSIONAL RANGE (MM)		SHORT ET	
FROM	> 0	> 30	> 100
TO	20	70	100
	100	150	200
	200	250	300
	300	400	
TOLERANCE UNLESS OTHERWISE SPECIFIED			
	±0.15	±0.2	±0.3
	±0.4	±0.5	±0.6
	±0.8	±1	±1.2
ANGULAR TOLERANCE 2°			

PART DRAWING	
STYLE	
VOLUME (CH)	DISTR CODE
SEE CHART	D
UNLESS OTHERWISE SPECIFIED	
THIS DOCUMENT IS IN ACCORDANCE WITH ASME Y14.5M-1994 AS MODIFIED BY THE IN CHARGE, DIMENSIONING AND TOLERANCE MANUAL (PTV). ALL DIMENSIONS UNLESS OTHERWISE SPECIFIED SHALL BE PER THE TOLERANCE MANUAL. UNLESS OTHERWISE SPECIFIED, DIMENSIONS ARE TO FACE UNLESS INDICATED OTHERWISE. DIMENSIONS ARE IN MILLIMETERS UNLESS OTHERWISE SPECIFIED.	
THIRD ANGLE PROJECTION	
DO NOT SCALE	
USE MATH DATA	

DELPHI
DELPHI PACKARD ELECTRIC SYSTEMS
WARREN, MI

DR	DATE
APV01 L. GARAY	23MY02
APV02 L. GARAY	23MY02
APV03 E. TRACEY	23MY02
APV04	
APV05	

SUBSTANCES OF CONCERN AND RECYCLED CONTENT PER DELPHI 10949001

MATERIAL SEE CHART

DRAWING NAME
TAXI LOCK SECONDARY TPA M/P

DRAWING NUMBER
12162454

SIZE	SCALE	FRAME NO	SHEET NO	STG	REV	N/P
A0	5:1	1	1	1	03	-