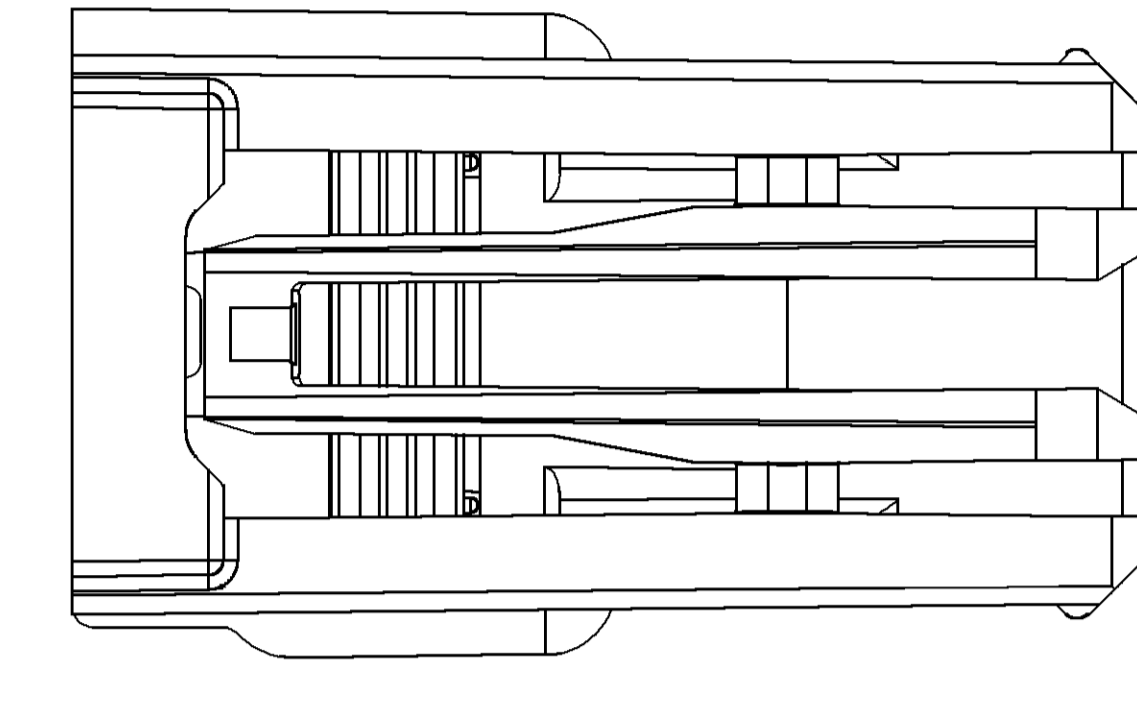
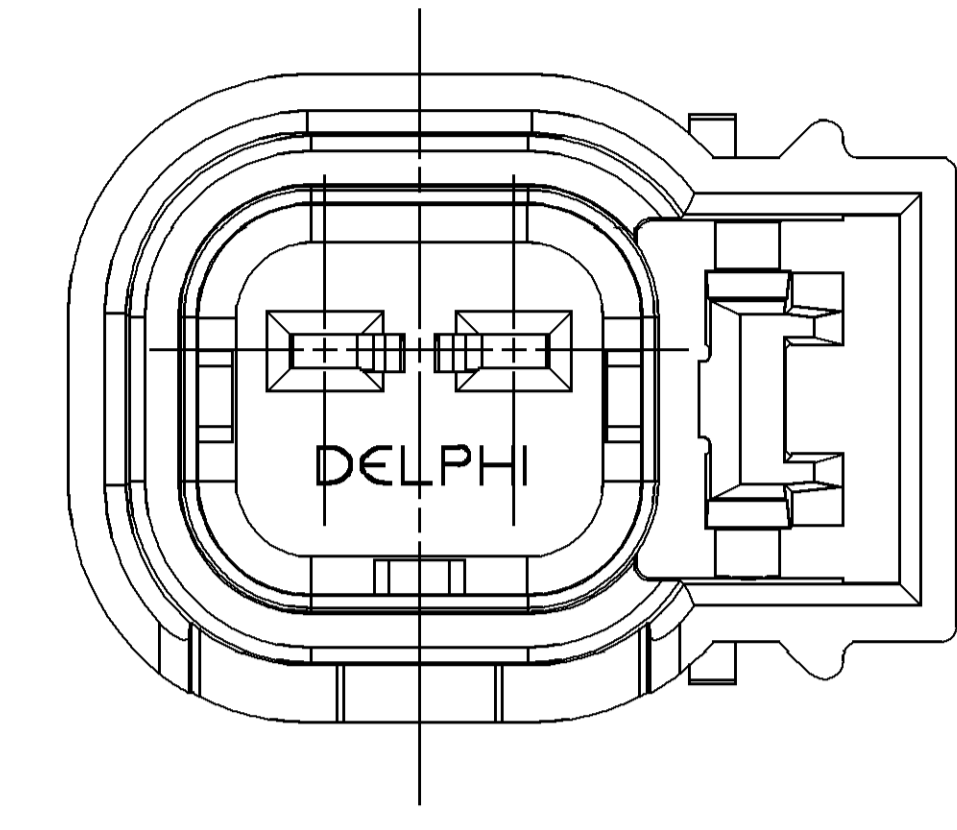
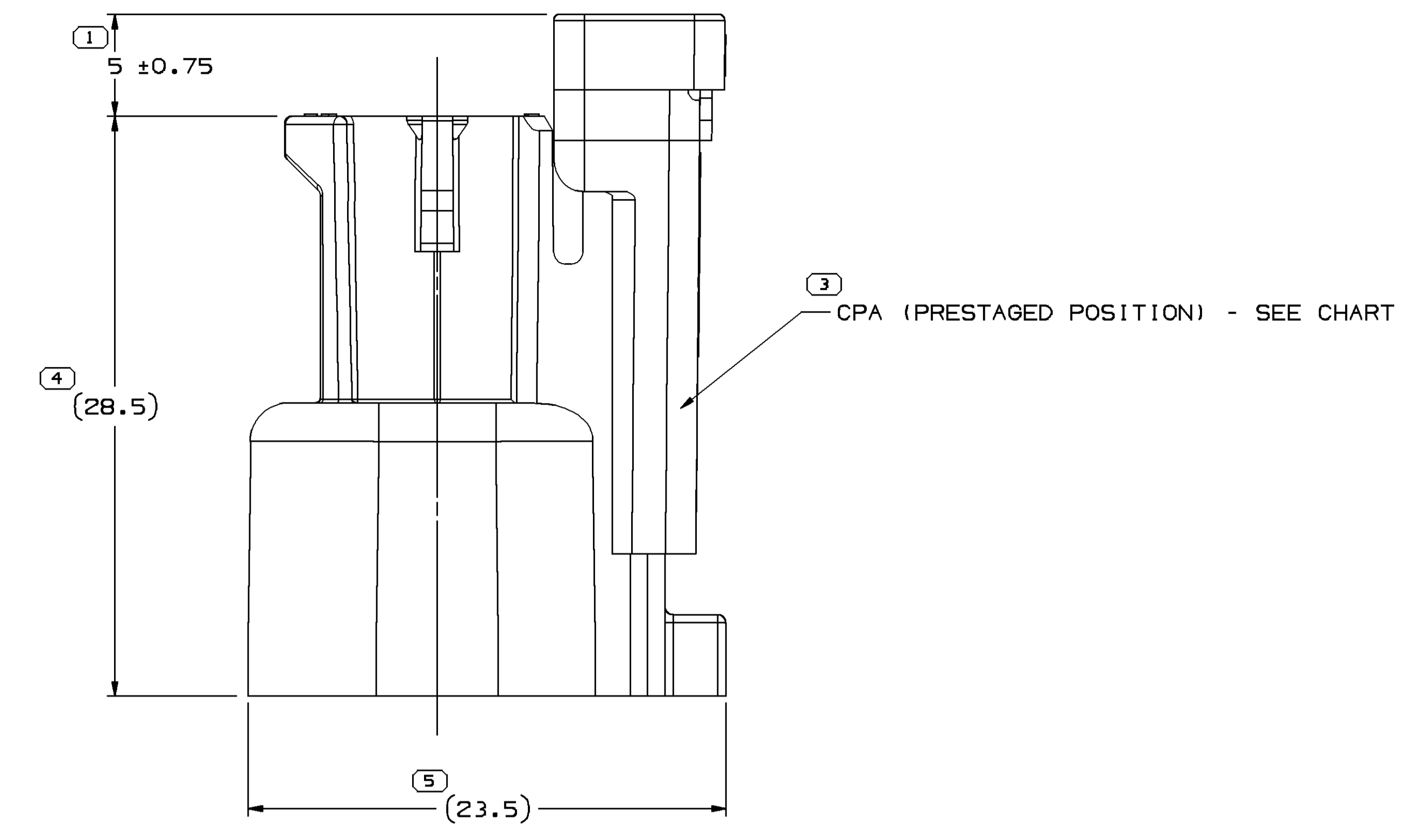
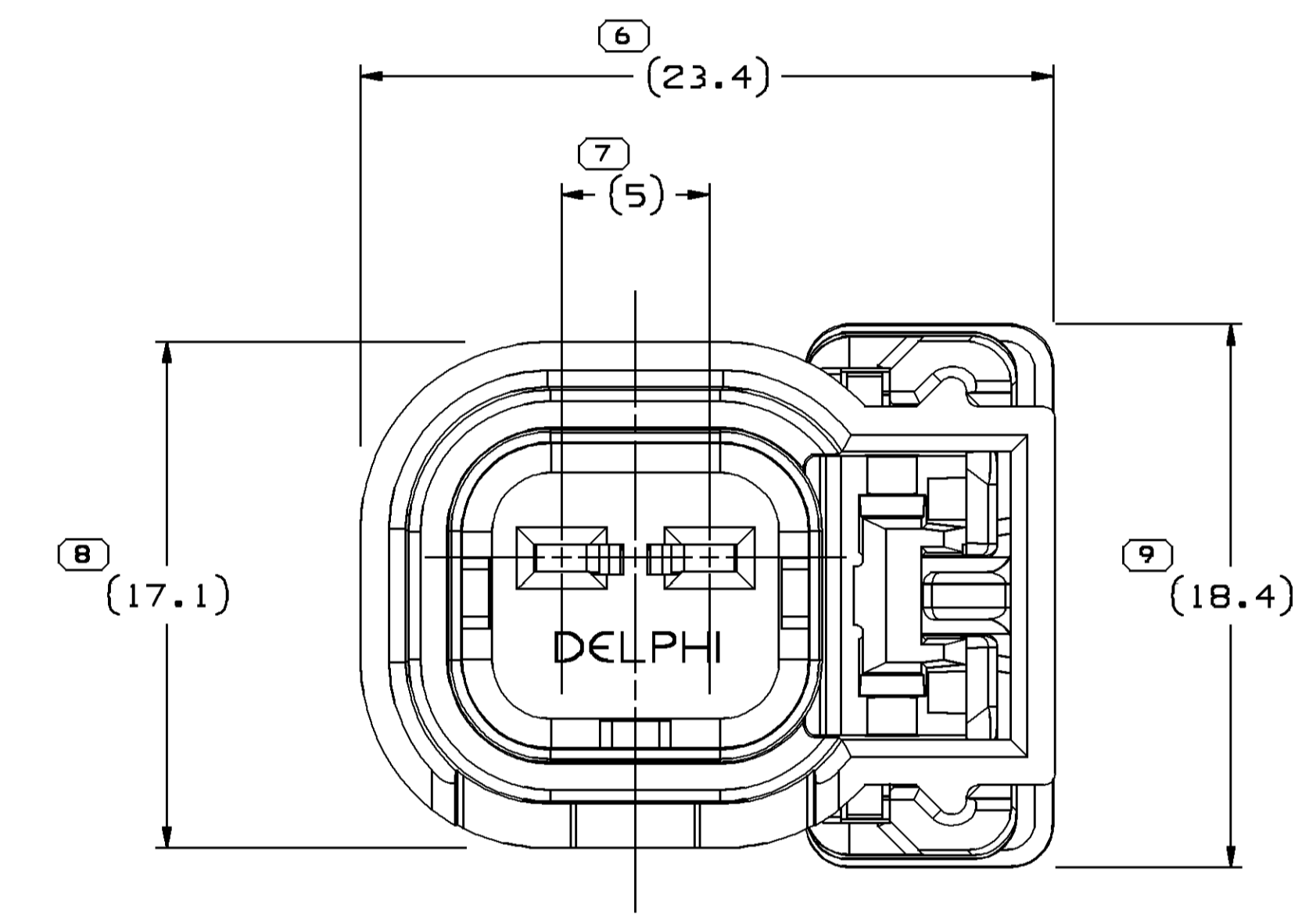


SYMBOL DEFINITION		MISSING SYMBOLS	
A DIMENSION WITHOUT AN INSPECTION REPORT SYMBOL DOES NOT REQUIRE INSPECTION. IT MAY BE CONTROLLED ON THE INDIVIDUAL COMPONENT DRAWING.	TOTAL NO OF INSPECTIONS REQUIRED	10	NO MISSING SYMBOL NUMBER
	LAST NO. USED	10	

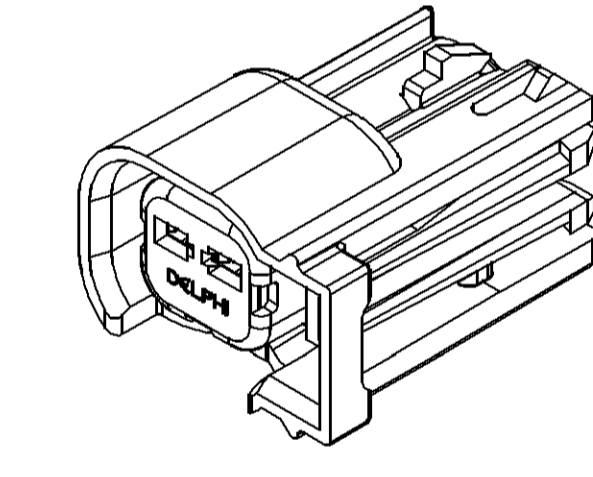
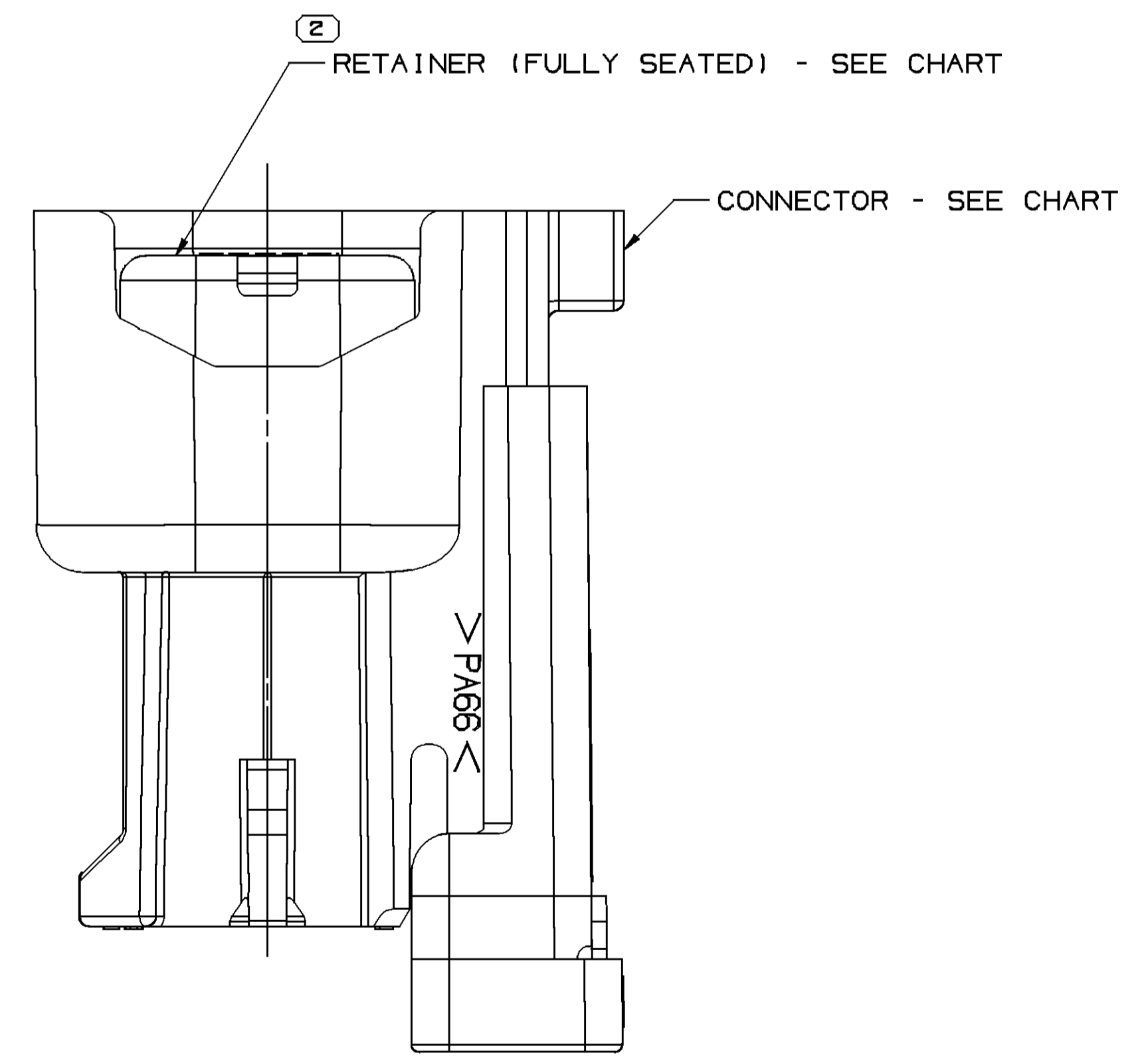
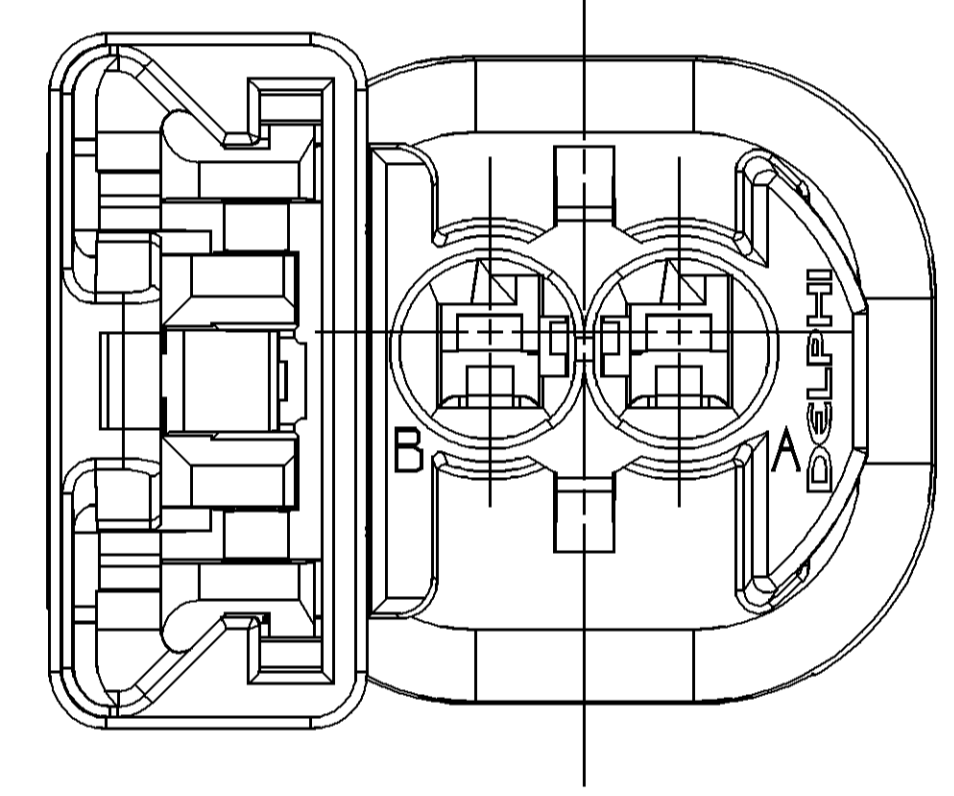
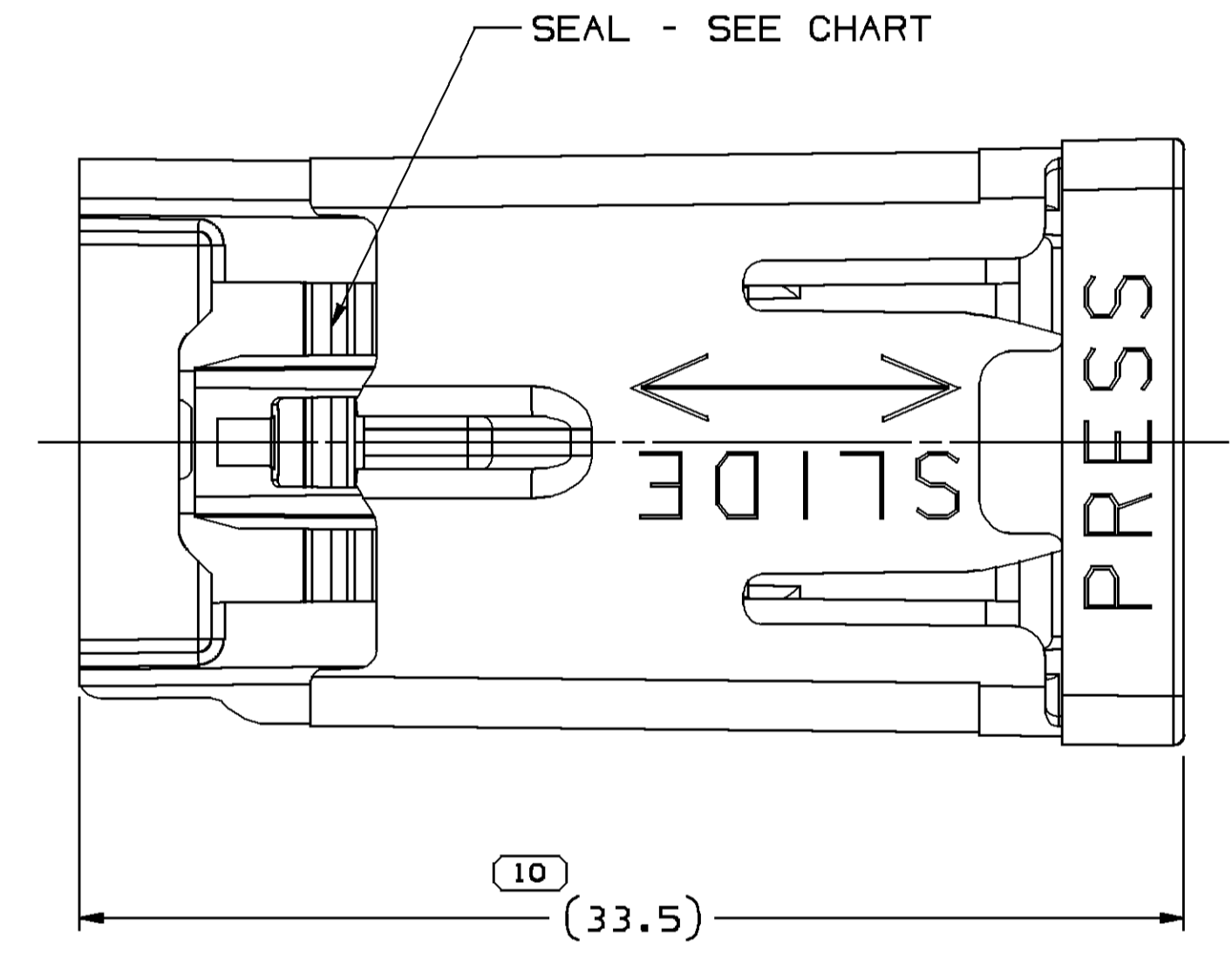
DWG STATUS					REVISION HISTORY			AUTH		DR		APVD/APV		
DATE	STG	REV	N/P	CHG	ZONE									
05DE01	R	001	-	-		15305086 - 15421930	15305086 - 15421930	15305086 - 15326235	15305086 - 15421930	15305086 - 15326235	15305086 - 15421930	15305086 - 15326235	15305086 - 15421930	15305086 - 15326235
28AP06	R	02	-	-		15305086 - 15326235	15305086 - 15326235	15305086 - 15326235	15305086 - 15421930	15305086 - 15326235	15305086 - 15421930	15305086 - 15326235	15305086 - 15421930	
24OC07	R	03	-	-		15305086 - 15421930	15305086 - 15421930	15305086 - 15326235	15305086 - 15421930	15305086 - 15326235	15305086 - 15421930	15305086 - 15326235	15305086 - 15421930	
24FE10	R	04	-	-		15305086 - 15421930	15305086 - 15421930	15305086 - 15326235	15305086 - 15421930	15305086 - 15326235	15305086 - 15421930	15305086 - 15326235	15305086 - 15421930	



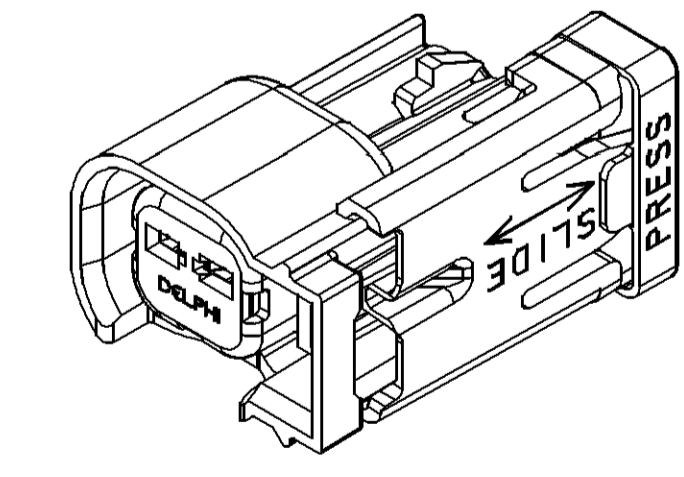
TYPE 102  
SAME AS TYPE 101  
EXCEPT AS SHOWN



TYPE 101



TYPE 102  
VIEW SCALE DOES NOT REFLECT  
ACTUAL PART SIZE



TYPE 101  
VIEW SCALE DOES NOT REFLECT  
ACTUAL PART SIZE

- NOTES
- UNLESS OTHERWISE SPECIFIED AND/OR INDICATED:  
DIMENSIONS ARE TO FACE OF VIEW SHOWN AND AUTOMATICALLY ROUNDED BY COMPUTER FOR INSPECTION (SEE MATH MODEL FOR PRECISE DIMENSIONS). FOR ALL OTHER DIMENSIONS NOT SHOWN BUT REQUIRED FOR TOOL BUILD, SEE MATH MODEL FOR PRECISE TOOL PATH DATA.
  - WHEN PARTS ARE SHIPPED THEY MUST BE PACKED IN PLASTIC BAGS OR SHIPPING CONTAINERS MUST BE LINED WITH PLASTIC LINERS. BAGS OR LINERS MUST BE SEALED TO AVOID FOREIGN MATTER.
  - SEALING CODE 3 - DESIGN WILL PASS SALT FOG AND IMMERSION TEST AFTER CONDITIONING AS SPECIFIED IN ESA-644 (WEATHER-PACK), ESA-710 (METRI-PACK), ESA-650 (UNDERHOOD MICRO-PACK), C-4006 (WORLD CONNECTOR), ETC WHEN MATED TO MATING PART OR EQUIVALENT
  - THIS PRODUCT IS NOT CATEGORIZED AS AN APPEARANCE ITEM, MINOR IMPERFECTIONS INCLUDING, BUT NOT LIMITED TO, FLOW MARKS, COLOR BLEMISHES, GATE VESTIGE, AND SOFT FLASH THAT DO NOT AFFECT THE FIT, FORM, OR FUNCTION OF THE PART ARE PERMISSIBLE PER DPNP-4.7-CS-01.
  - PARTS ARE TO BE ASSEMBLED WITH THE SEAL AND RETAINER IN PLACE AND THE CPA IN THE PRE-STAGE POSITION.
  - FOR APPLICATION DATA SEE THE INDIVIDUAL APPLICATION DRAWINGS.

PART NO	REV	N/P	STATUS	TYPE	CONNECTOR	RETAINER	SEAL	CPA
15421930	02	-	-	102	15355225	15326237	15326236	
15305086	02	AB	-	101	15355225	15326237	15326236	15326239

DIMENSIONAL RANGE (MM)		CHART SET	
FROM	TO	>	<
0	20	30	70
20	30	70	100
30	70	100	150
70	100	150	200
100	150	200	250
150	200	250	300
200	250	300	400

**DELPHI**  
DELPHI PACKARD ELECTRICAL/ELECTRONIC ARCHITECTURE  
WARREN, OH

DR	DATE
APV01 J. S. ALVARADO	05DE01
APV02 J. S. ALVARADO	05DE01
APV03 RICK FETCENKO	07DE01
APV04	
APV05	

THIS DOCUMENT IS IN ACCORDANCE WITH ASME Y14.5M-1994 AS MODIFIED BY THE 2003 DIMENSIONING AND TOLERANCING HANDBOOK - 1997. ALL GEOMETRIC TOLERANCES AND RELATED DATUMS APPLY UNLESS OTHERWISE SPECIFIED. MFCI DOES NOT APPLY WHEN RELATIONSHIP BETWEEN FEATURES IS ESTABLISHED BY ORIENTATION OR LOCATION TOLERANCES. SEPARATE POSITION CALLOUTS MAY BE SHOWN SEPARATELY, REGARDLESS OF DATUM REFERENCE. ALL DIMENSIONS ARE IN MILLIMETERS.

UNLESS OTHERWISE SPECIFIED

REFERENCE

THIRD ANGLE PROJECTION

DO NOT SCALE

USE MATH DATA

DRAWING NAME  
TAXI ASM CONN F M/P 150 SLD

DRAWING NUMBER  
**15423523**

SIZE	SCALE	FRAME NO	SHEET NO	STG	REV	N/P
A0	5:1	1	1	1	R	04