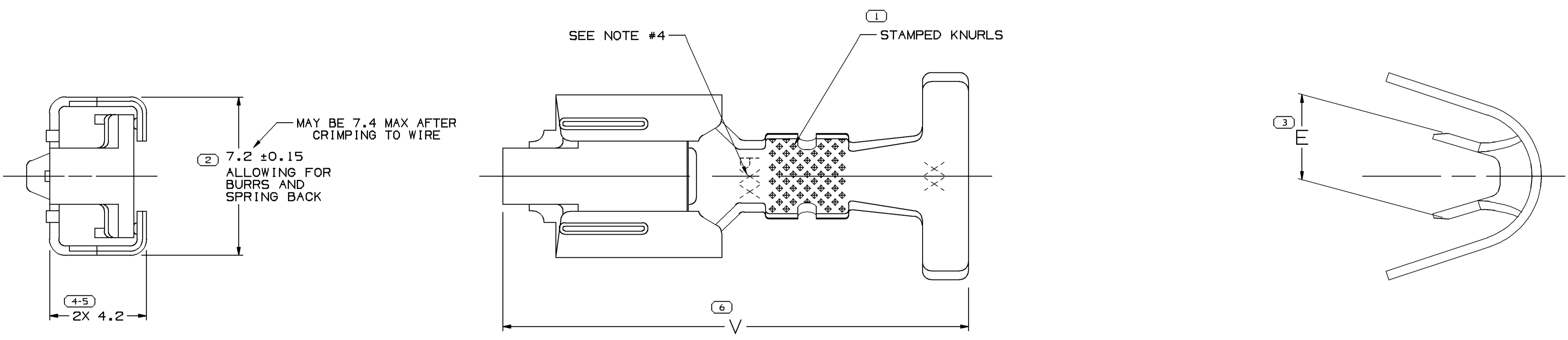
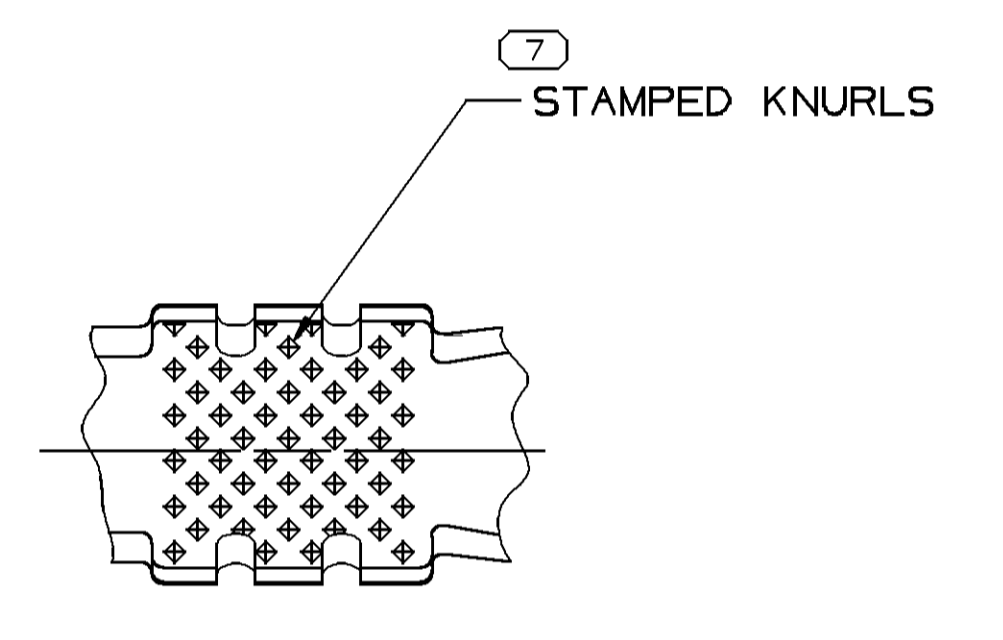
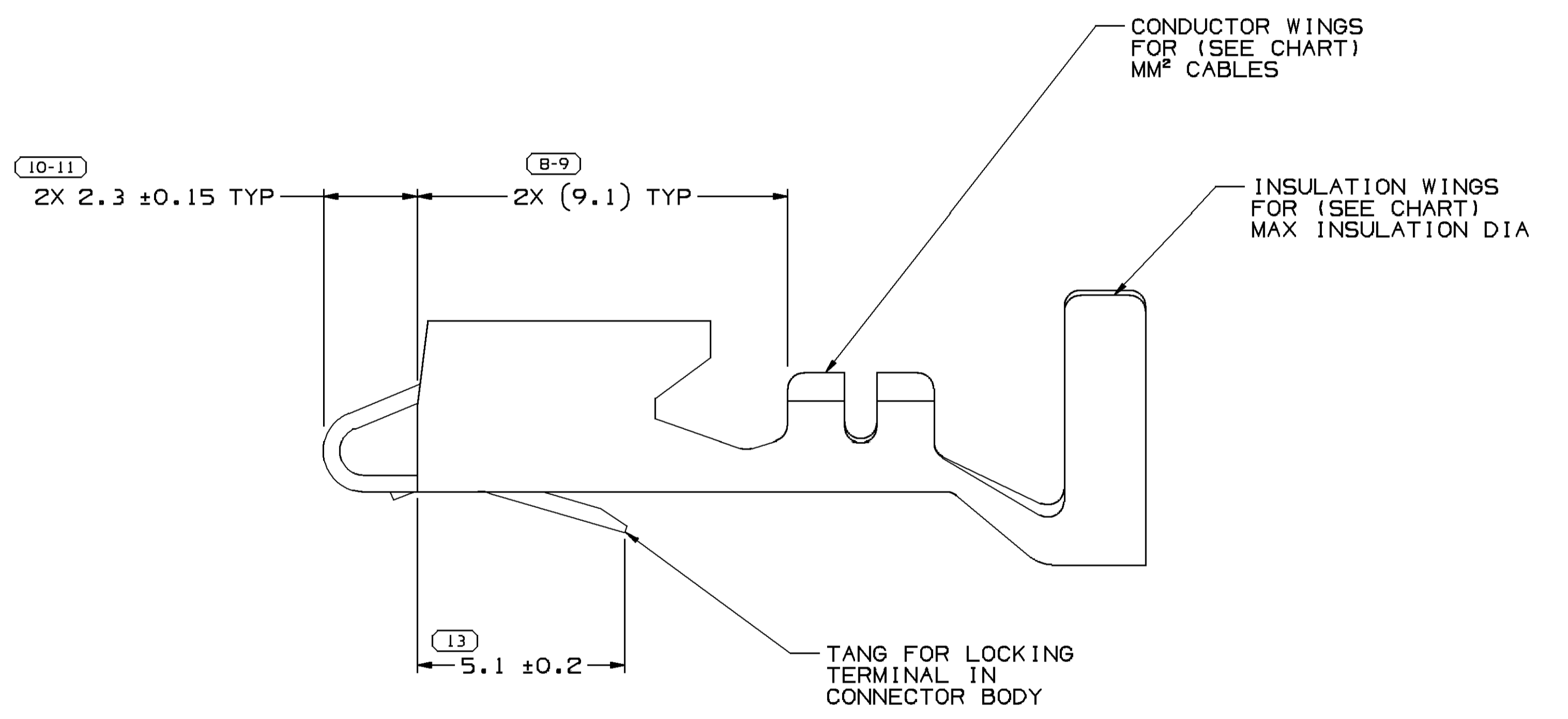


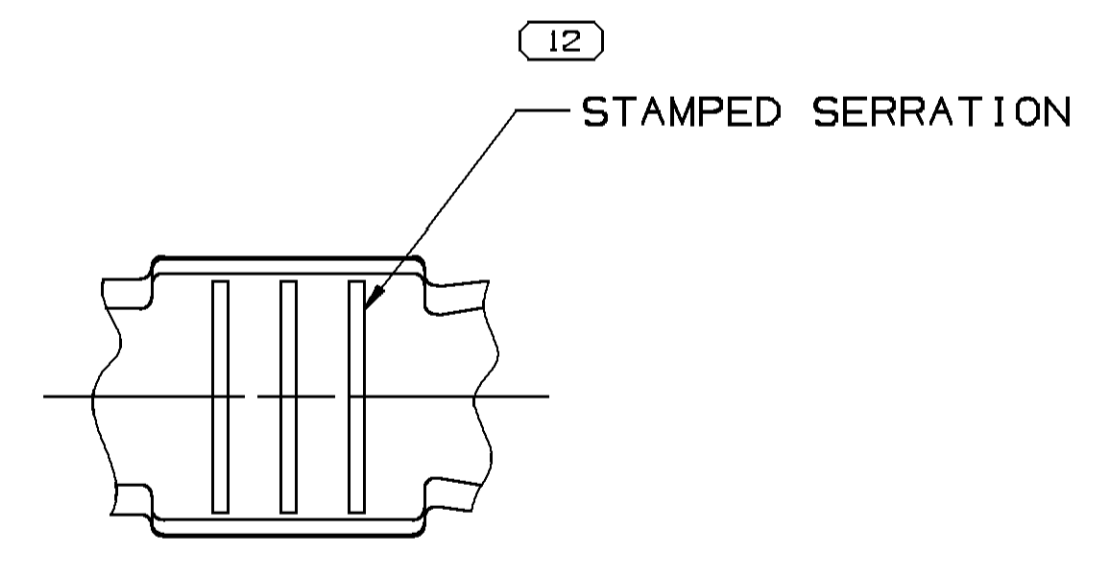
SYMBOL DEFINITION		MISSING NUMBERS		DWS STATUS		ZONE		REVISION HISTORY		AUTH		DR		APVD													
DATE	STG	REV	IN/P	CHG	DATE	STG	REV	IN/P	CHG	DATE	STG	REV	IN/P	CHG	DATE	STG	REV	IN/P	CHG								
A DIMENSION WITHOUT AN INSPECTION REPORT SYMBOL ( ) DOES NOT REQUIRE INSPECTION. IT MAY BE CONTROLLED ON AN INDIVIDUAL COMPONENT DRAWING.				TOTAL NO. OF SYMBOLS ON DRAWING		13		14-16.		27AU99		R 001		-		-		ALL ACTIVE PARTS - REDRAWN TO PD & ADDED CARRIER STRIP & SEAL ASSEMBLY INFORMATION		990009		RGT		CMP		JH	
				LAST NO. USED		19				27AU99		R 002		-		-		ALL ACTIVE PARTS - LETTER DIM V WAS 20.2		198182		RGT		CMP		JH	
										09JA03		R 03		-		-		SHEET 1 OF 3 WAS SHEET 1 OF 2		230755		ECB		JAA		AGL	
										29ND04		R 04		-		-		15305232 - REVISED MATERIAL CODE		261521		END		END		BG	
										21FE05		R 05		-		-		ALL ACTIVE PARTS - UPDATED MAT'L SPECS; REVISED MATING BLADE TOLERANCE (NOTE#2): 7.05+0.3-0.2 WAS 7.05+0.25-0.3 & ADDED NOTE #5		264738		END		END		BG	
										06JN05		R 06		-		-		REVISED GRAPHICS		268139		MJM		MJM		BG	
										270C06		R 07		-		-		UPDATED PDM ATTRIBUTES		286199		MM		MM		BG	
										19JUL11		R 08		-		-		ALL ACTIVE PARTS - DIM "V" TOL WAS ±0.3		414803		HRS		HRS		GEM	
										15AU12		R 09		-		-		UPDATED PDM ATTRIBUTES		418815		JFF		JFF		JFF	
										18FE15		R 10		-		-		15305232 & 15317332 - ADDED TARNISH INFO		428877		ABH		JVM		JSM	



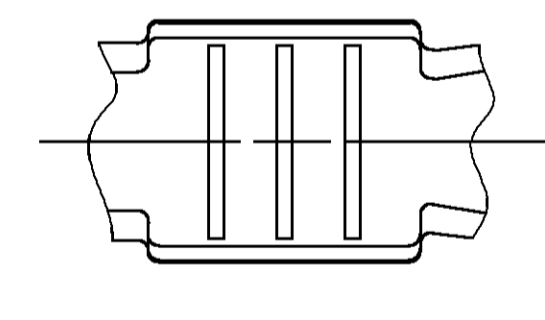
TYPE 101



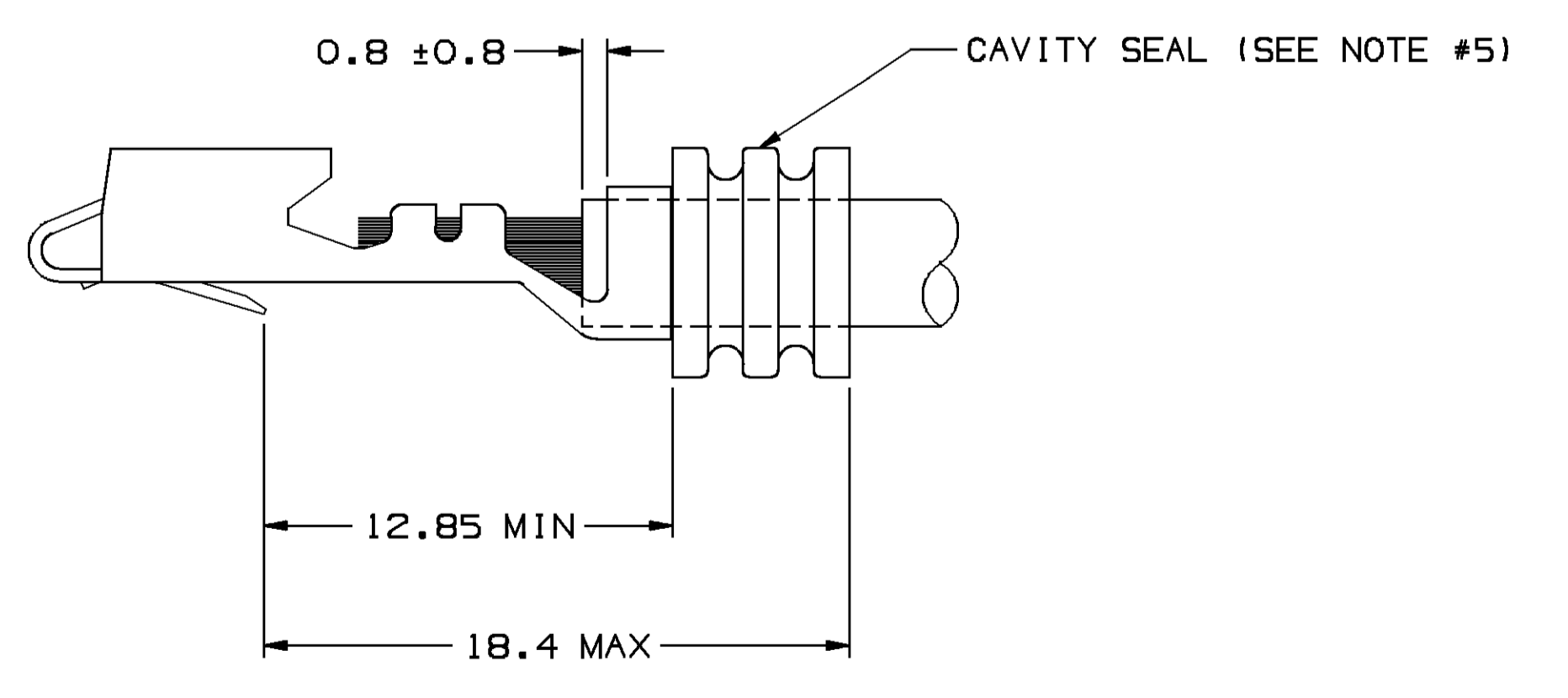
TYPE 102  
SAME AS TYPE 101  
EXCEPT AS SHOWN



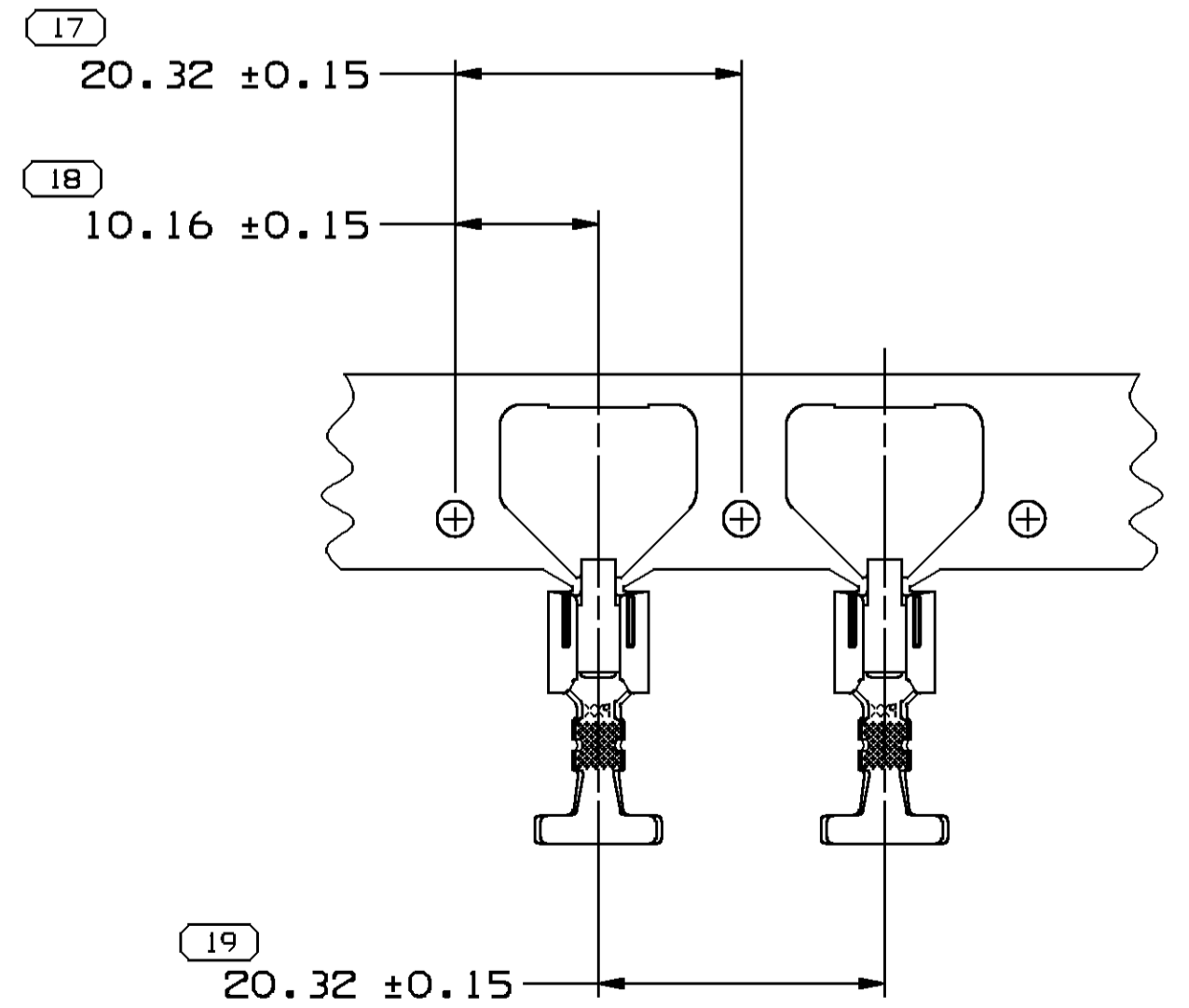
TYPE 103  
SAME AS TYPE 101  
EXCEPT AS SHOWN



TYPE 104  
SAME AS TYPE 103  
EXCEPT AS SHOWN



SCALE 5:1

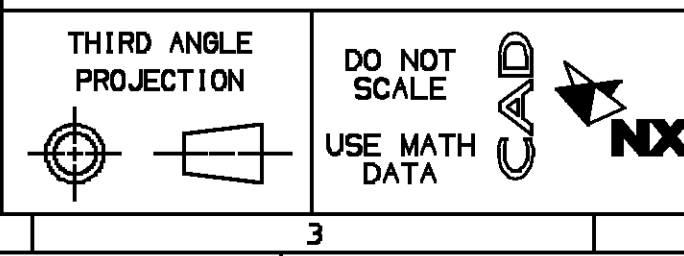


CARRIER STRIP VIEW  
SCALE 2:1

- NOTES
- UNLESS OTHERWISE SPECIFIED AND/OR INDICATED: DIMENSIONS ARE TO FACE OF VIEW SHOWN AND AUTOMATICALLY ROUNDED BY COMPUTER FOR INSPECTION (SEE MATH MODEL FOR PRECISE DIMENSIONS). FOR ALL OTHER DIMENSIONS NOT SHOWN BUT REQUIRED FOR TOOL BUILD, SEE MATH MODEL FOR PRECISE TOOL PATH DATA.
  - RECOMMENDED MATING BLADE 0.8 +0.04/-0.03 THK X 6.3 ±0.1 WIDE.
  - THIS PART ACCEPTS THE FOLLOWING COMPONENTS OR EQUIVALENT:  
TERMINAL 12020127
  - "PXX" INDICATES "P" PLUS LAST TWO DIGITS OF MAKE DIE SERIES NUMBER (PO1, PO2, PO3, ETC).
  - TERMINAL TO CRIMP AND RETAIN CAVITY SEAL 120523B6 OR EQUIVALENT.
  - DO NOT PROBE, TEST OR OTHERWISE CONTACT THE INTERIOR REGION (THE SPRING OR ANY MOVING PART) OF THIS TERMINAL. SEVERE DAMAGE CAN OCCUR, COMPROMISING THE PERFORMANCE OF THE ELECTRICAL INTERFACE.
  - FOR TERMINALS PACKAGED & STORED IN THE APPROVED MANNER, TARNISH ON SILVER PLATED SURFACES WILL NOT AFFECT THE PERFORMANCE OF THE PART.

PART NO	REV	IN/P	MAT'L SIZE	MAT'L SPEC	PART NO	REV	IN/P	MAT'L SIZE	MAT'L SPEC	SIZE (MM <sup>2</sup> )	ID	DIA	TYPE	E	V
					15317332	03	AD	0.406 X 33.32	AG PLATED COPPER NICKEL ALLOY	6-4	10	5.24	104	5.7	19.48
					15317331	03	AC	0.406 X 33.32	COPPER ALLOY	6-4	10	5.24	103	5.7	19.48
					15305232	02	AD	0.406 X 33.32	AG PLATED COPPER NICKEL ALLOY	5-3	11	5.24	101	4.6	19.48
12066562	F	-	0.406 X 33.32	COPPER ALLOY	12052458	F	-	0.406 X 33.32	COPPER ALLOY	3	12	4.9	101	4.6	19.79
12066561	F	-	0.406 X 33.32	COPPER ALLOY	12052457	08	AC	0.406 X 33.32	COPPER ALLOY	0.8-0.5	19	2.68	102	3.2	19.79
12066560	G	-	0.406 X 33.32	COPPER ALLOY	12052456	09	AC	0.406 X 33.32	COPPER ALLOY	5-3	11	5.24	101	4.6	19.48
12066559	E	-	0.406 X 33.32	COPPER ALLOY	12052455	07	AC	0.406 X 33.32	COPPER ALLOY	2-1	15	3.59	101	3.7	19.79
										SIZE (MM <sup>2</sup> )	ID	DIA	TYPE	E ±0.4	V ±0.7 -0.3

13 PROCESS SENSITIVE DIMENSION	
DIMENSIONS ENCLOSED IN ( ) INDICATE REFERENCE DIMENSIONS AND NO TOLERANCE LIMITS ARE ESTABLISHED	CHART ID
FROM 0 TO 12	> 12
TOLERANCE UNLESS OTHERWISE SPECIFIED	±0.1
ANGULAR TOLERANCE ±2°	±0.2



**DELPHI**  
DELPHI PACKARD ELECTRICAL/ELECTRONIC ARCHITECTURE

WARREN, OH  
COPYRIGHT 1988 DELPHI CORPORATION AND/OR ITS AFFILIATES. ALL RIGHTS RESERVED.  
THIS DRAWING IS THE PROPERTY OF DELPHI CORPORATION AND CONTAINS DELPHI CONFIDENTIAL INFORMATION. THE REPRODUCTION, DISTRIBUTION AND UTILIZATION OF THIS DOCUMENT OR ITS CONTENTS OR DATA, AS WELL AS COMMUNICATION OF ANY CONTENT TO OTHERS, WITHOUT EXPRESS AUTHORIZATION, IS PROHIBITED.

DATE: 22 JUL 88  
DRAWING NUMBER: 12088013

DRAWING NAME: TAXI TERM F M/P 630 SEALED TANG

SIZE: A0  
SCALE: 10:1  
FRAME NO: 1 OF 1  
SHEET NO: 1 OF 3  
REV: R  
IN/P: 10