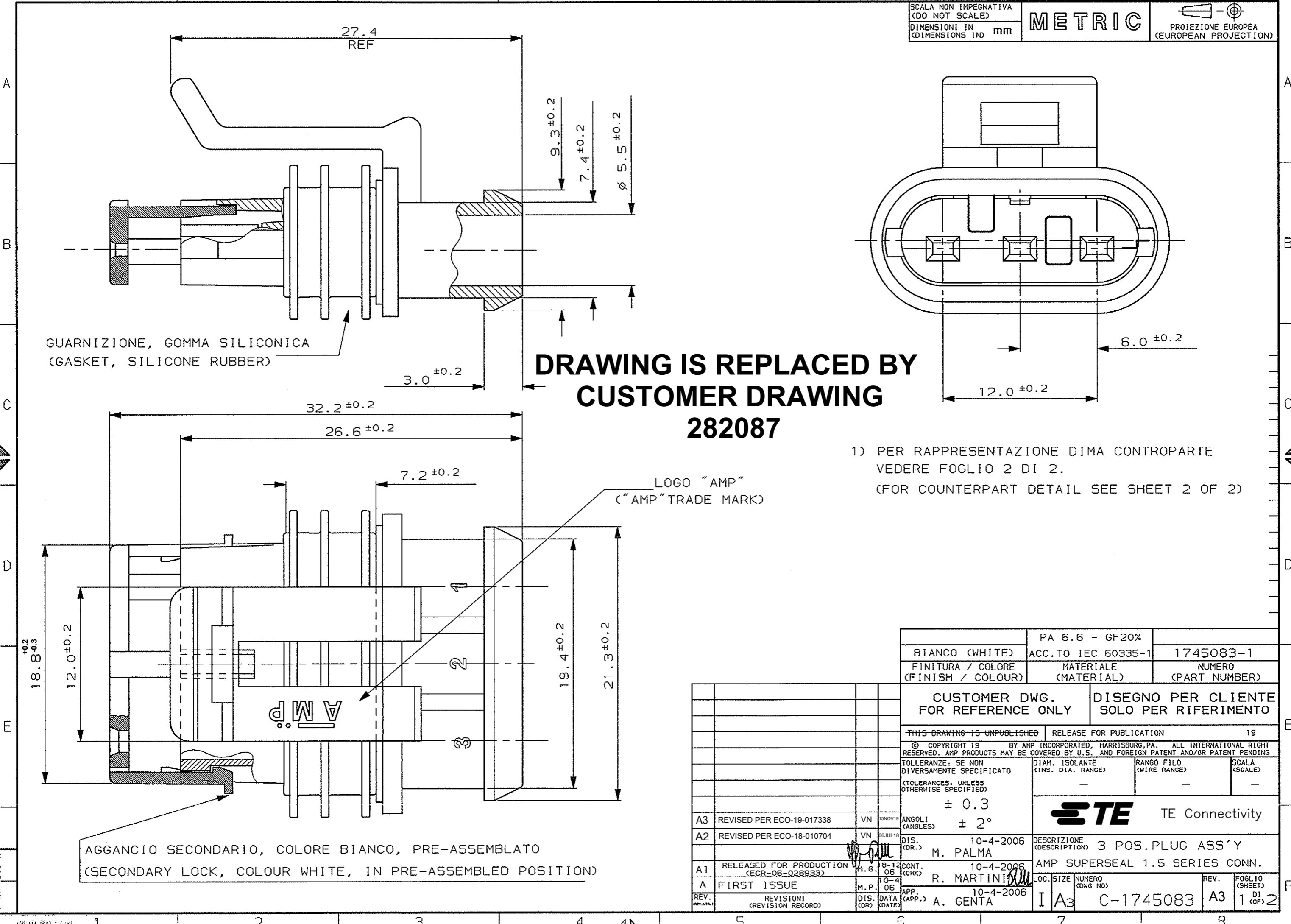


SCALA NON IMPEGNATIVA
(DO NOT SCALE)
DIMENSIONI IN
(DIMENSIONS IN) mm

METRIC

PROIEZIONE EUROPEA
(EUROPEAN PROJECTION)



**DRAWING IS REPLACED BY
CUSTOMER DRAWING
282087**

1) PER RAPPRESENTAZIONE DIMA CONTROPARTE
VEDERE FOGLIO 2 DI 2.
(FOR COUNTERPART DETAIL SEE SHEET 2 OF 2)

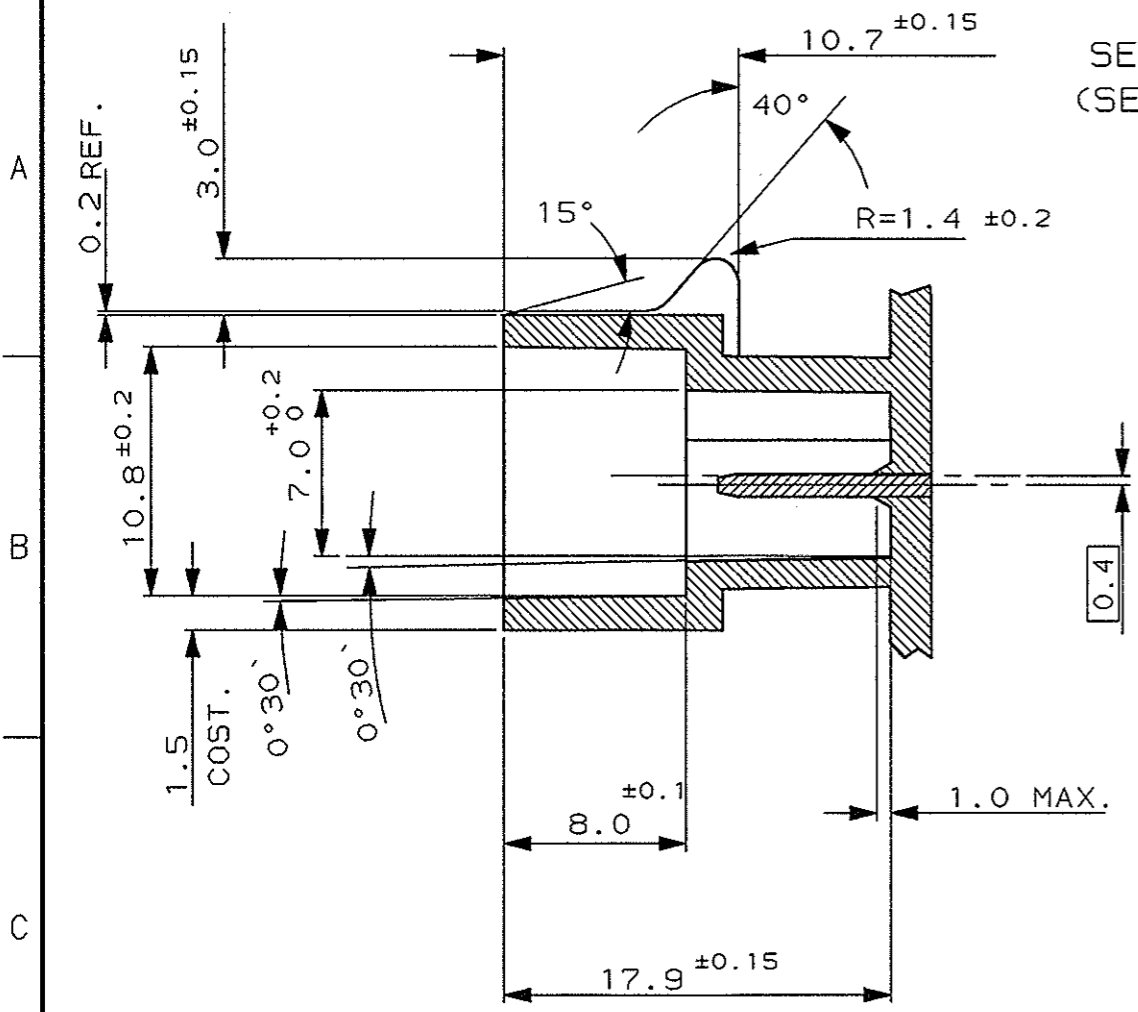
BIANCO (WHITE)	PA 6.6 - GF20%	1745083-1
FINITURA / COLORE (FINISH / COLOUR)	ACC. TO IEC 60335-1	NUMERO (PART NUMBER)
CUSTOMER DWG. FOR REFERENCE ONLY		DISEGNO PER CLIENTE SOLO PER RIFERIMENTO
THIS DRAWING IS UNPUBLISHED		RELEASE FOR PUBLICATION 19
© COPYRIGHT 19 BY AMP INCORPORATED, HARRISBURG, PA. ALL INTERNATIONAL RIGHT RESERVED. AMP PRODUCTS MAY BE COVERED BY U.S. AND FOREIGN PATENT AND/OR PATENT PENDING		
TOLLERANZE: SE NON DIVERSAMENTE SPECIFICATO (TOLERANCES: UNLESS OTHERWISE SPECIFIED)	DIAM. ISOLANTE (INS. DIA. RANGE)	RANGO FILO (WIRE RANGE)
± 0.3	-	-
ANGOLI (ANGLES)	SCALA (SCALE)	
± 2°	TE Connectivity	
DIS. (DR.)	10-4-2006	DESCRIZIONE (DESCRIPTION)
M. PALMA	10-4-2006	3 POS. PLUG ASS'Y
CONT. (CHK)	10-4-2006	AMP SUPERSEAL 1.5 SERIES CONN.
R. MARTINI	10-4-2006	LOC. SIZE
APP. (APP.)	10-4-2006	NUMERO (DWG NO)
A. GENTA	I A3	C-1745083
REV. (REV. STA.)	REVISIONI (REVISION RECORD)	DIS. DATA (DR. DATE)
		REV. FOGLIO (SHEET)
		A3 1 DI 2

DISTRIBUZIONE
(PRINT DIST.)

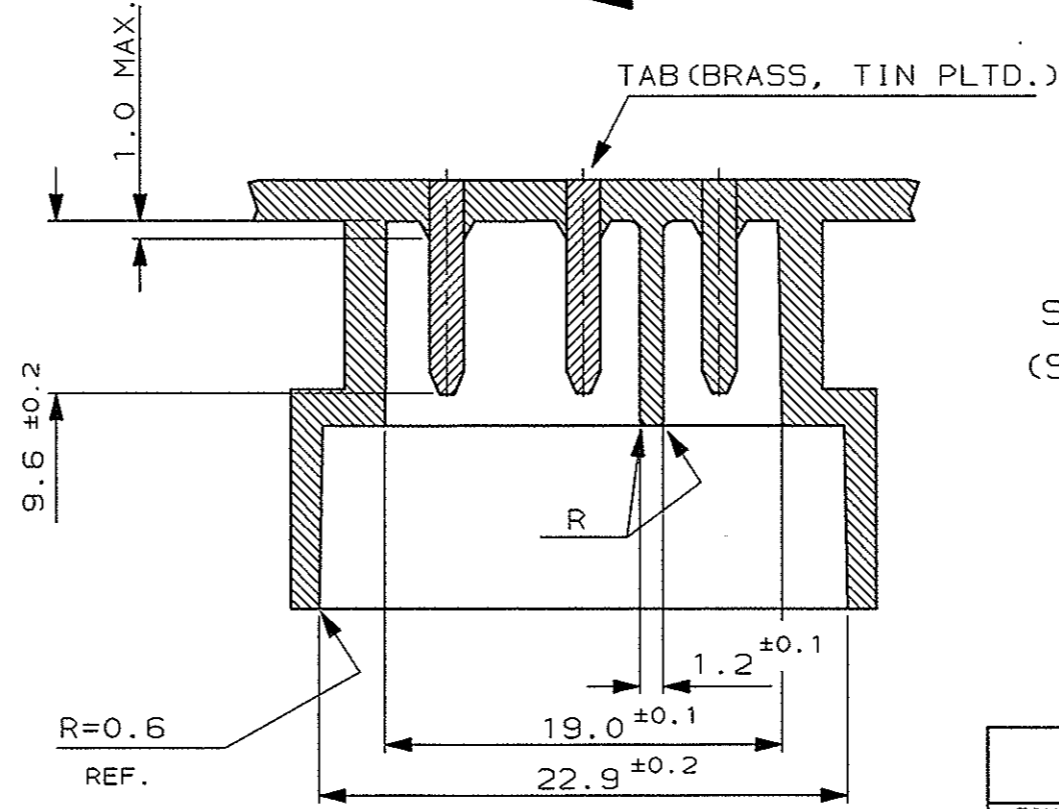
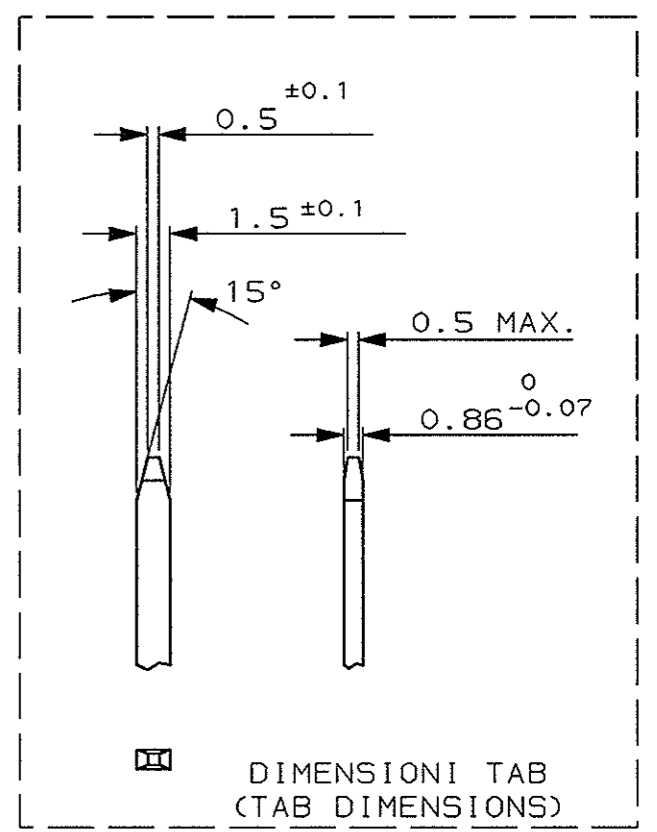
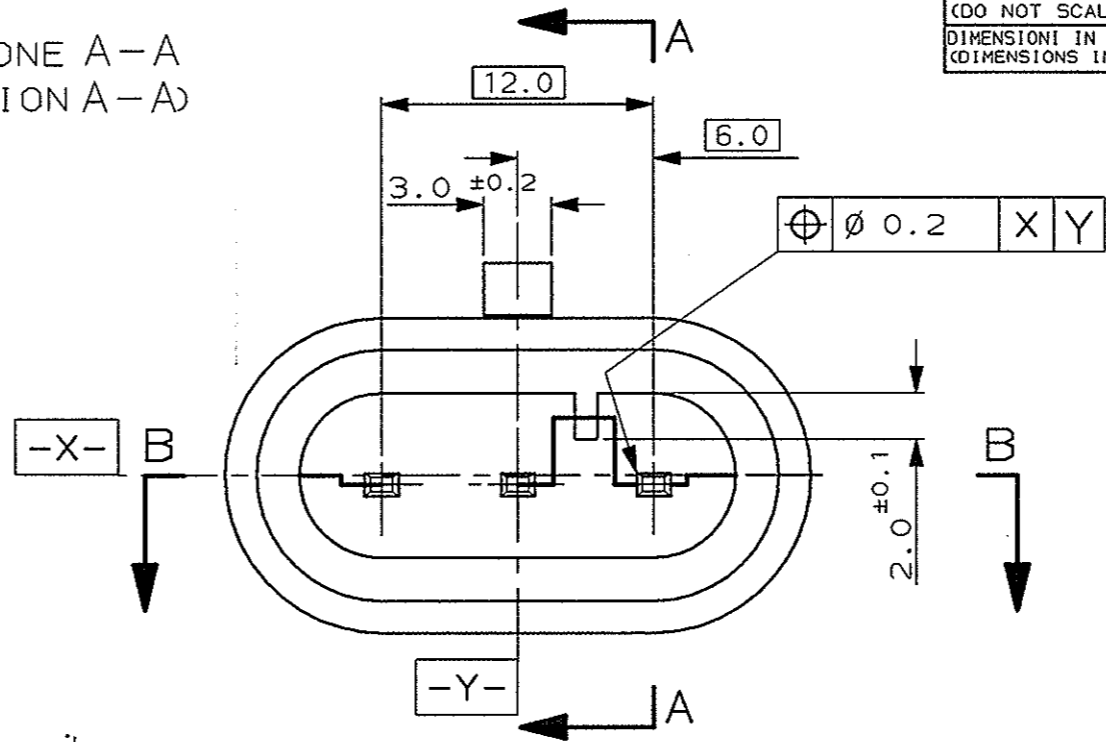
SCALA NON IMPEGNATIVA
(DO NOT SCALE)
DIMENSIONI IN mm
(DIMENSIONS IN IN)

METRIC

PROIEZIONE EUROPEA
(EUROPEAN PROJECTION)



SEZIONE A-A
(SECTION A-A)



SEZIONE B-B
(SECTION B-B)

**DRAWING IS REPLACED BY
CUSTOMER DRAWING
282087**

RAPPRESENTAZIONE DIMA CONTROPARTE
(COUNTERPART DETAIL AS SHOWN)

FINITURA / COLORE (FINISH / COLOUR)		PA 6.6 - GF FILLED ACC. TO IEC 60335-1	MATERIALE (MATERIAL)		NUMERO (PART NUMBER)
CUSTOMER DWG. FOR REFERENCE ONLY			DISEGNO PER CLIENTE SOLO PER RIFERIMENTO		
THIS DRAWING IS UNPUBLISHED		RELEASE FOR PUBLICATION		19	
© COPYRIGHT 19 BY AMP INCORPORATED, HARRISBURG, PA. ALL INTERNATIONAL RIGHT RESERVED. AMP PRODUCTS MAY BE COVERED BY U.S. AND FOREIGN PATENT AND/OR PATENT PENDING					
TOLLERANZE, SE NON DIVERSAMENTE SPECIFICATO (TOLERANCES, UNLESS OTHERWISE SPECIFIED)		DIAM. ISOLANTE (INS. DIA. RANGE)	RANGO FILO (WIRE RANGE)	SCALA (SCALE)	
± 0.3		-	-	-	
ANGOLI (ANGLES)		TE Connectivity			
± 2°		DESCRIZIONE (DESCRIPTION)			
DIS. (DR.)		3 POS. PLUG ASS'Y AMP SUPERSEAL 1.5 SERIES CONN.			
VEDERE FOGLIO 1 DI 2 (SEE SHEET 1 OF 2)		CONT. (CHK)	APP. (APP.)		
10/4/2006 M. PALMA		10/4/2006 R. MARTINI		10/4/2006 A. GENTA	
REV. (REV. N°)	REVISIONI (REVISION RECORD)	DIS. (DR.)	DATA (DATE)	LOC. SIZE (DWG NO)	REV. FOGLIO (SHEET)
				I A3 C-1745083	A3 2 OF 2

DISTRIBUZIONE
(PRINT DIST.)