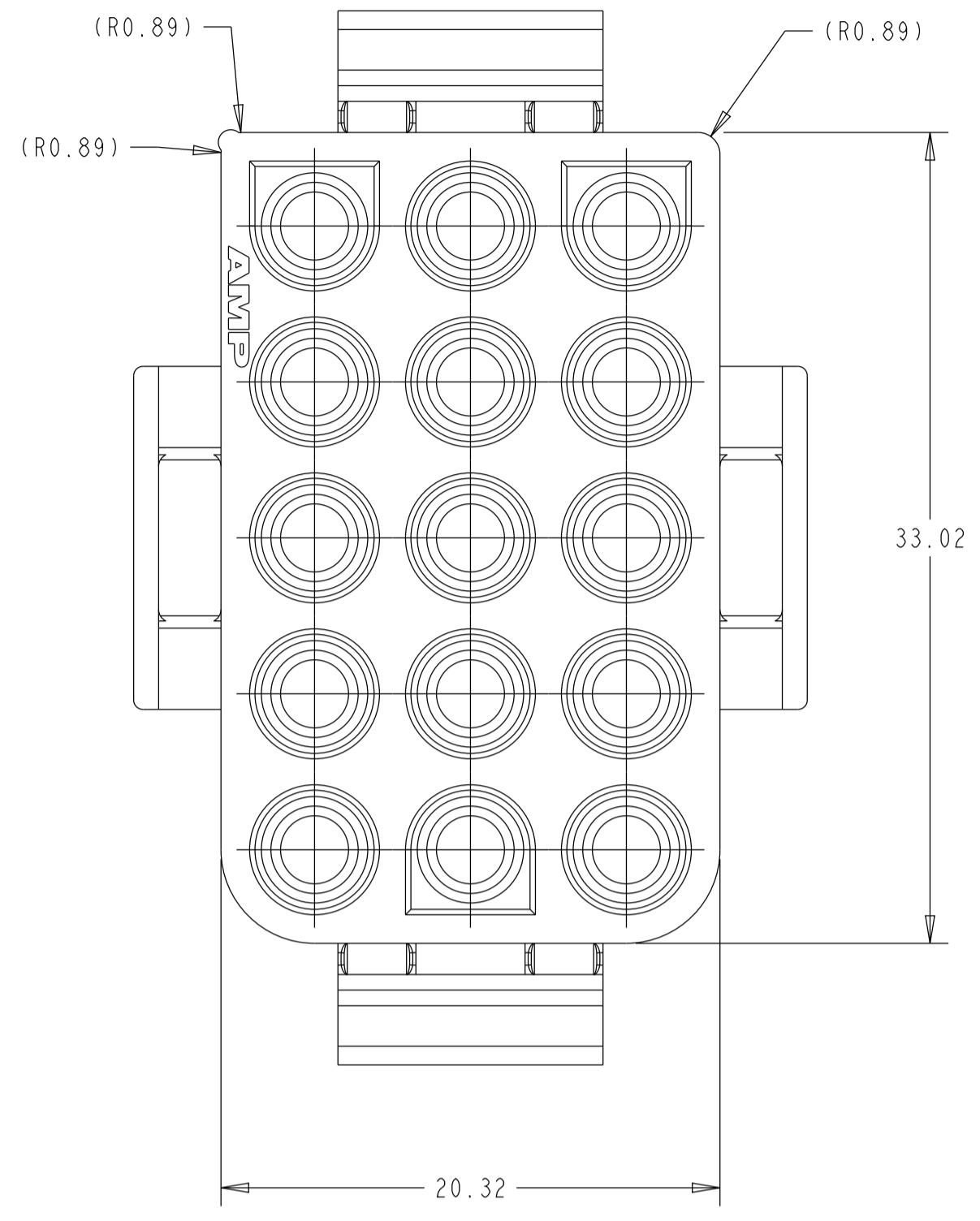
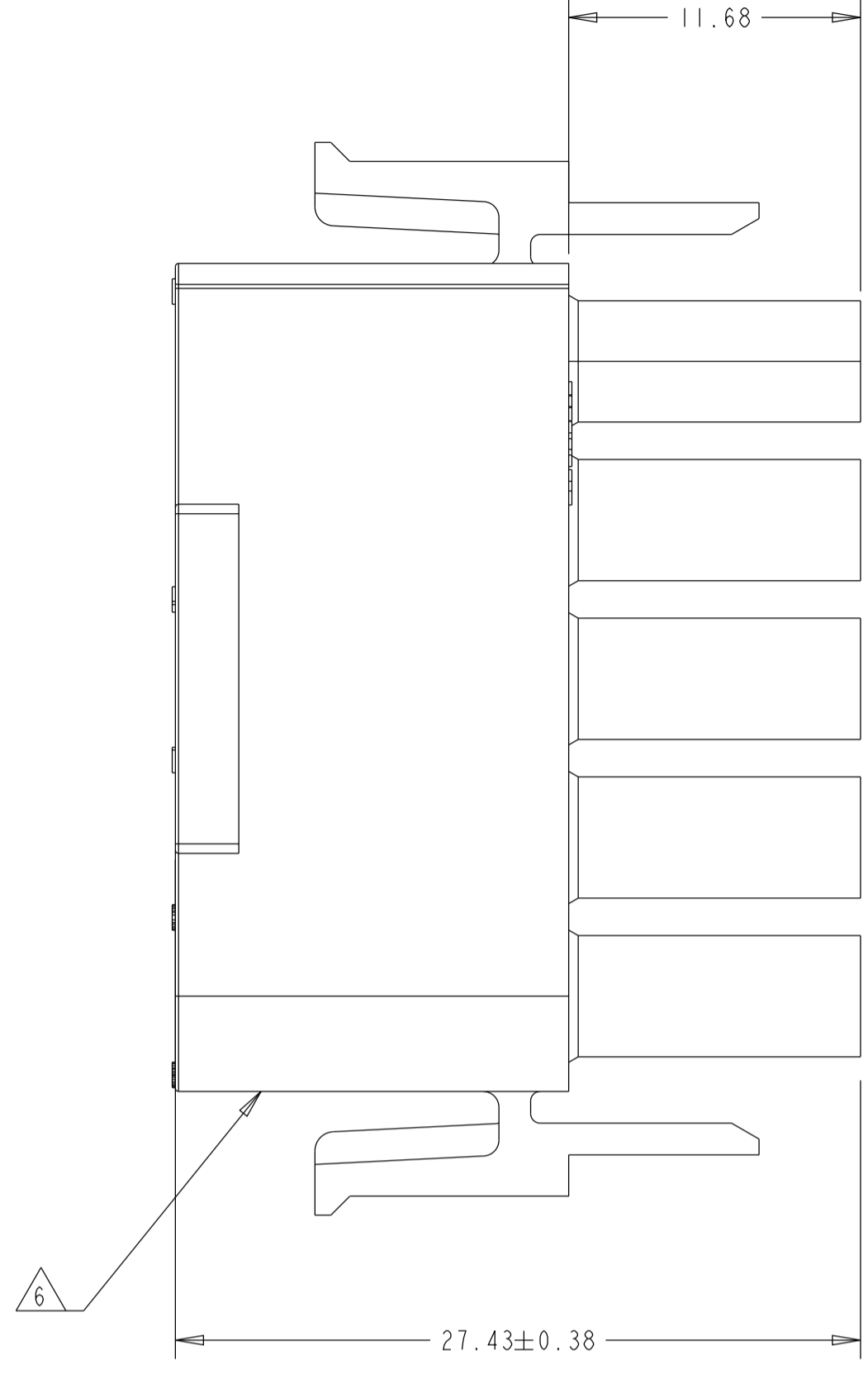
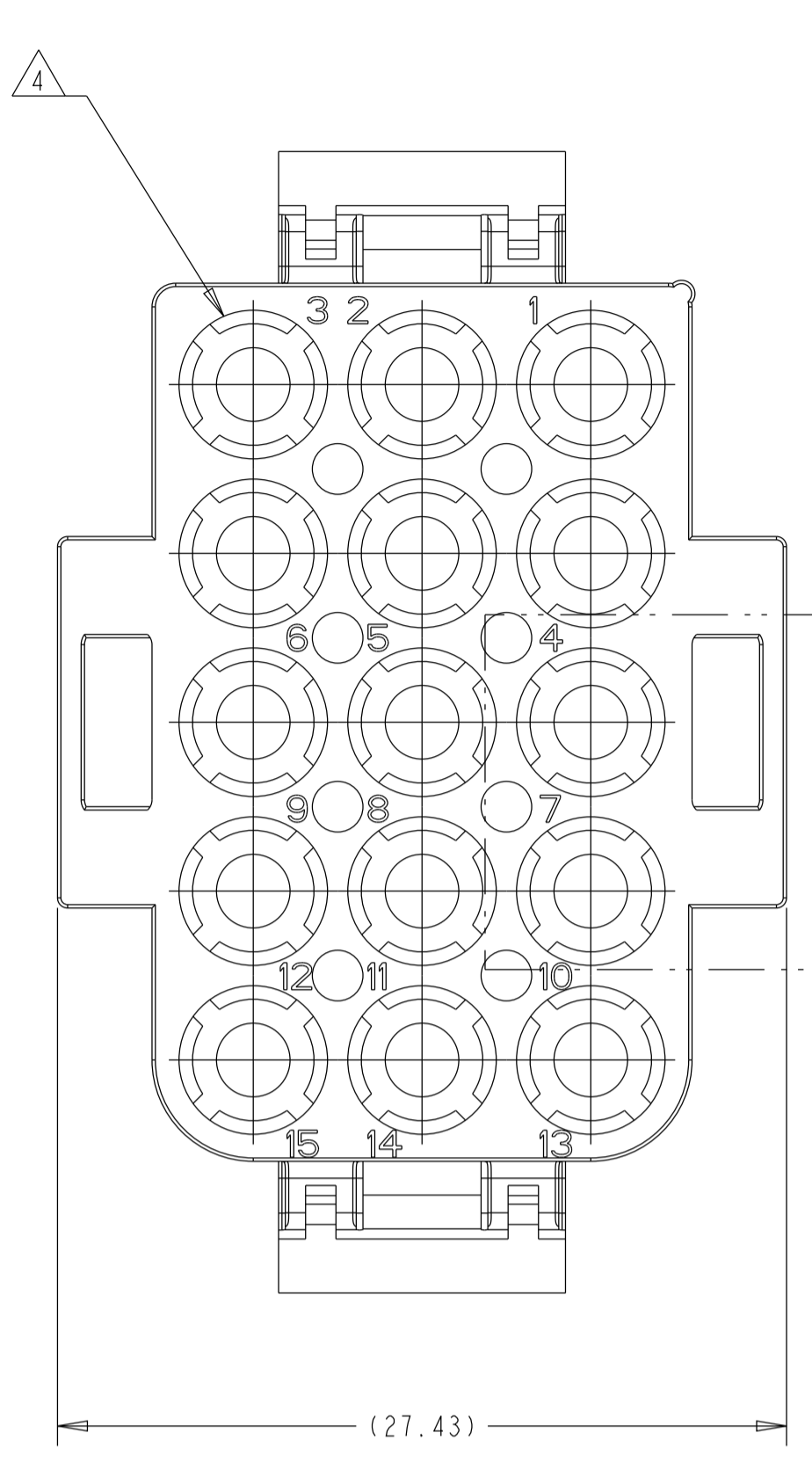
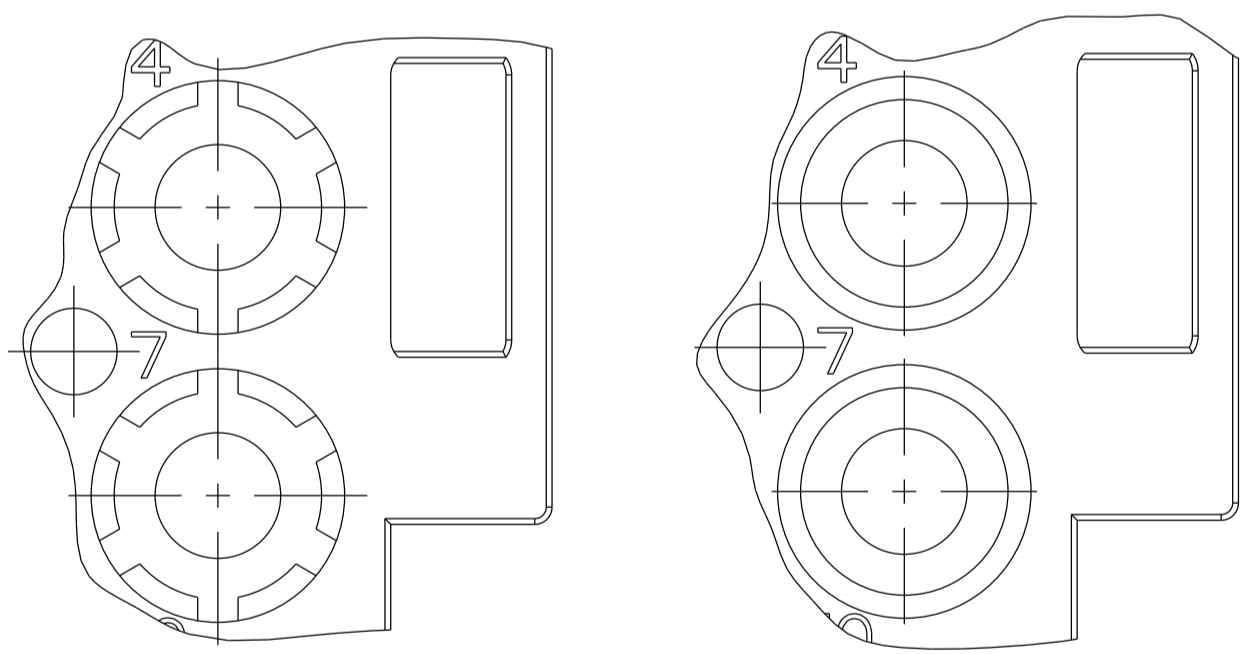
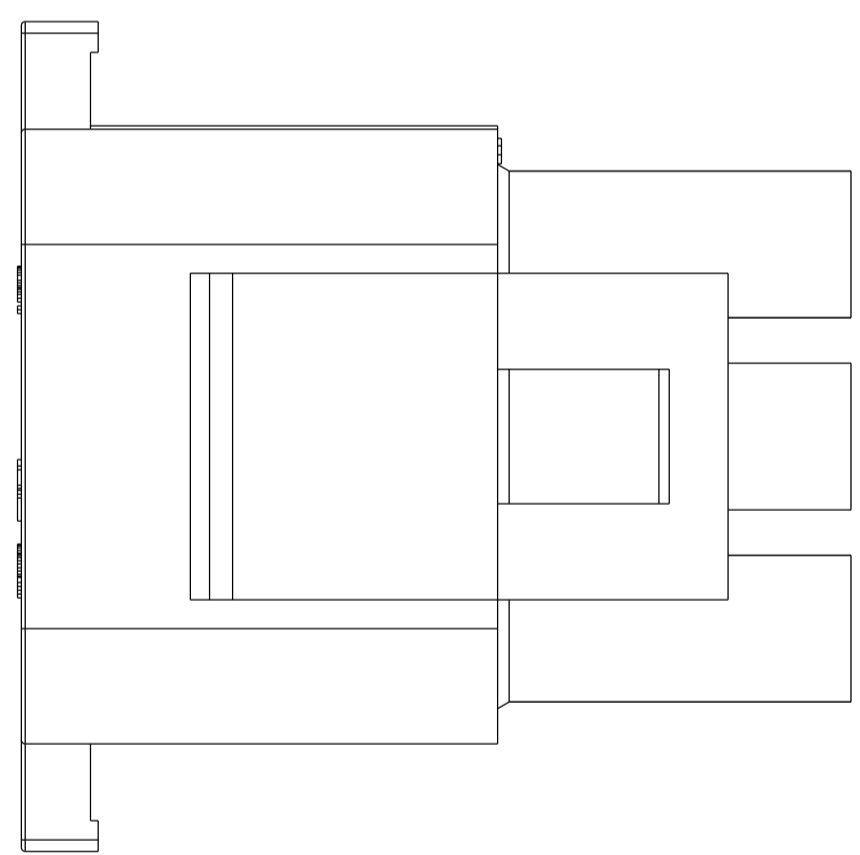
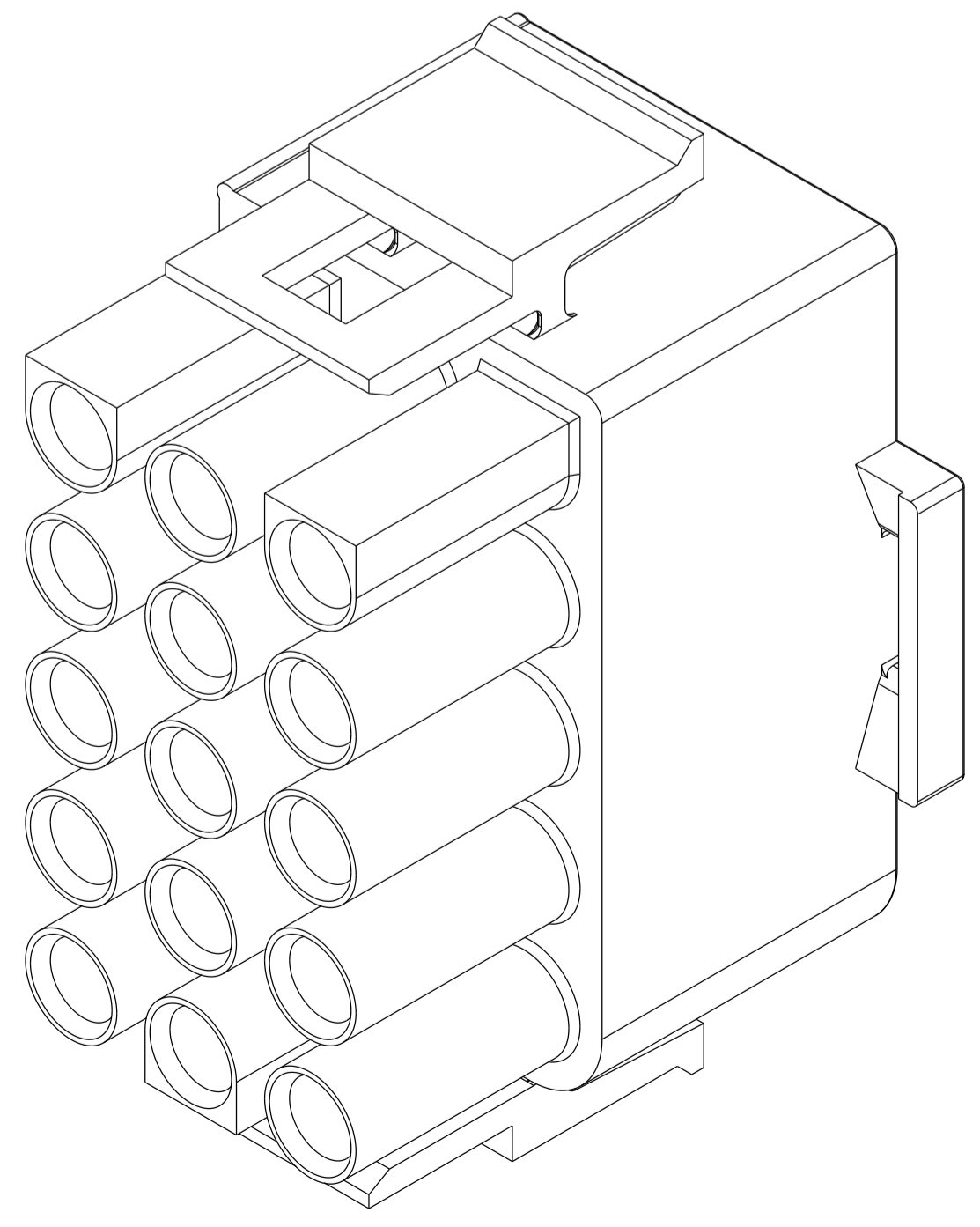


REVISIONS				
#	LTN	DESCRIPTION	DATE	OWN APVD
A1		REVISED PER ECR-17-014951	13OCT2017	BDA KR
B		REVISED PER ECR-24-218682	09SEP2024	AK BR



- MATES WITH APPROPRIATE UNIVERSAL MATE-N-LOK™ CAP OR HEADER.
 - SMALL NICKS ARE PERMITTED ON THE CIRCUIT TOWERS WHICH COULD INCREASE THE INITIAL HOUSING MATING FORCE BY UP TO 4.4 NEWTONS (1.0 LBS). NO INDIVIDUAL NICKED TOWER SHALL INCREASE THIS FORCE BY OVER 2.2 NEWTONS (.5 LBS).
 - DIMENSIONS SHOWN REPRESENT PRODUCT IN DRY, AS MOLDED, CONDITION. ADDITIONAL 2% GROWTH DUE TO SUBSEQUENT MOISTURE ABSORPTION MAY OCCUR AND SHOULD BE ACCOUNTED FOR.
- △4 FOUR RIBS EQUALLY SPACED, NO SPECIFIC ORIENTATION. NO RIBS OR SIX RIBS EQUALLY SPACED, NO SPECIFIC ORIENTATION, OPTIONAL.
 - △5 NOT MANUFACTURED IN U.S.
 - △6 UNDERWRITERS RECOGNIZED COMPONENT LOGO AND CSA CERTIFICATION LOGO TO BE LOCATED ONCE ON EACH SIDE OF HOUSING.
 - △7 MATERIAL CORRESPONDING TO THE REQUIREMENTS OF IEC 60335 (INCL. GLOW WIRE TEST 750°C WITHOUT FLAME)



DETAIL A
SCALE 6:1
OPTIONAL CONSTRUCTIONS

MM	IN
33.02	1.300
27.43	1.080
20.32	.800
11.68	.460
0.38	.015
0.13	.005
MM	IN

CONVERSION TABLE

NATURAL	1863007-1
COLOR	PART NUMBER

THIS DRAWING IS A CONTROLLED DOCUMENT.

DIMENSIONS:	TOLERANCES UNLESS OTHERWISE SPECIFIED:	OWN J. SALO 24JAN2008	NAME PLUG, 15 CIRCUIT, UNIVERSAL MATE-N-LOK
mm	0 PLC ±	CHK J. LAZARO 24JAN2008	-
	1 PLC ±0.13	APVD L. BATLLO 24JAN2008	-
	2 PLC ±	PRODUCT SPEC	-
	3 PLC ±	APPLICATION SPEC	-
	4 PLC ±	SIZE CAGE CODE DRAWING NO	A 00779 C=1863007
	ANGLES ±0°30'	RESTRICTED TO	-
MATERIAL △7 PA6	FINISH	WEIGHT	-
		CUSTOMER DRAWING	SCALE 4:1 SHEET 1 OF 1 REV B

TE Connectivity