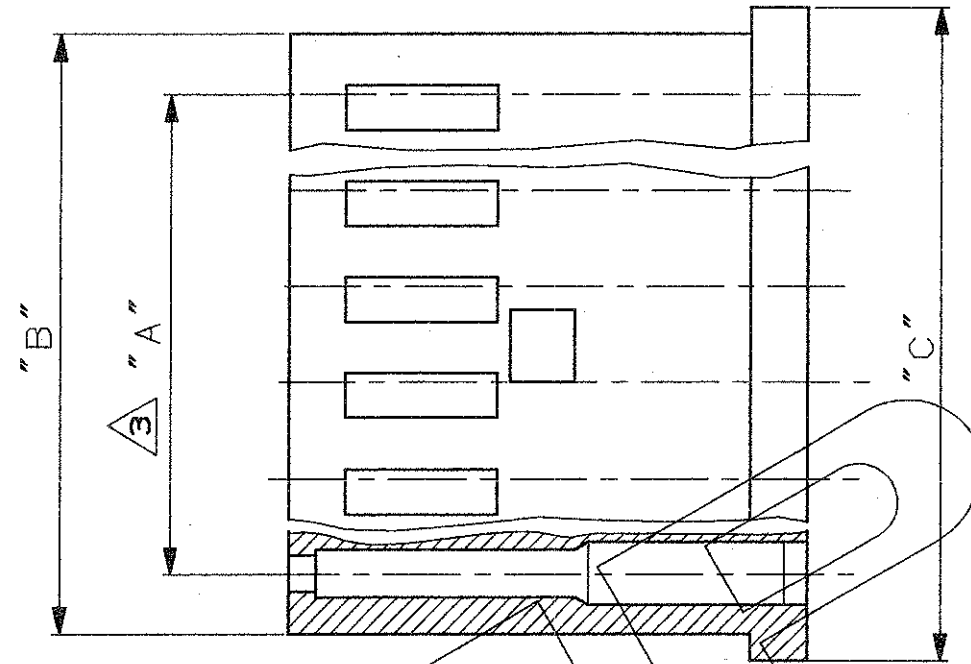
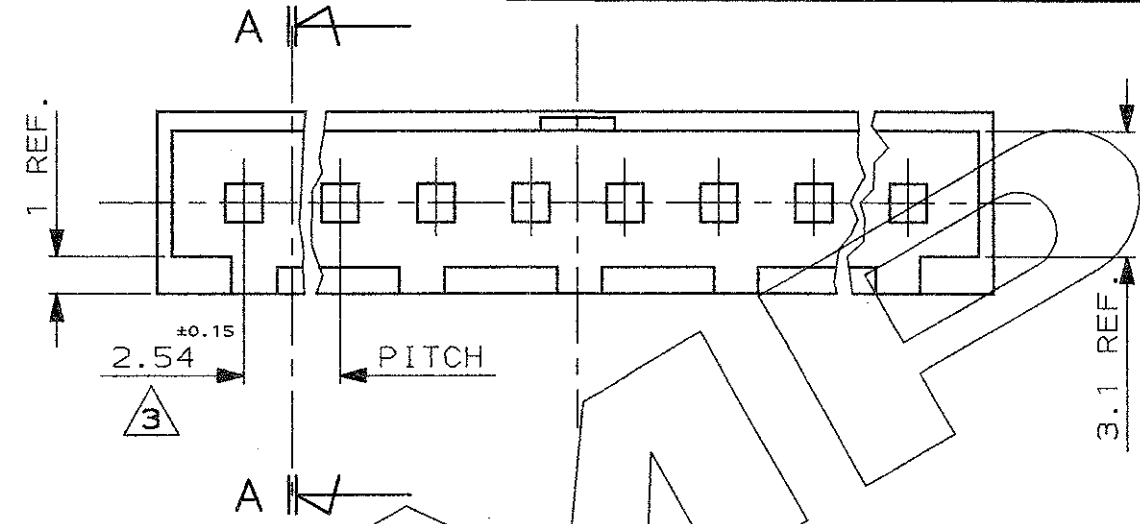
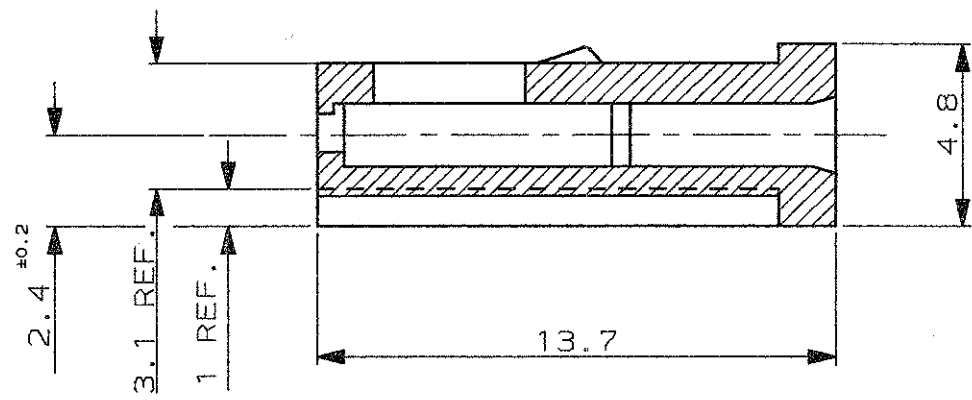


SEZ. A-A  
(SECT. A-A)

SCALA NON IMPEGNATIVA  
(DO NOT SCALE)  
DIMENSIONI IN mm  
(DIMENSIONS IN IN)

METRIC

PROIEZIONE EUROPEA  
(EUROPEAN PROJECTION)



N° POS.	PART NUMBER	DIM. "A"	DIM. "B"	DIM. "C"	MATERIAL (SEE NOTE)
4	1-280359-0	7.62	10.6	12.2	2
2	1-280358-0	2.54	5.6	7.1	
22	280364-0	53.34	56.4	57.9	1
15	280363-0	35.56	38.6	40.1	
12	280514-0	27.94	31	32.5	
10	280362-0	22.86	25.9	27.4	
9	280512-0	20.32	23.3	24.9	
8	280361-0	17.78	20.8	22.3	
6	280360-0	12.70	15.7	17.3	
4	280359-0	7.62	10.6	12.2	
2	280358-0	2.54	5.6	7.1	

- 1 NORYL, UL94 V1, COLORE NERO / NORYL, UL94 V1, BLACK COLOUR
- 2 NORYL SE-1 COLORE ROSSO / NORYL SE-1 RED COLOUR
- 3 TOLLERANZA NON CUMULATIVA / NON CUMULATIVE TOLERANCE
- 4 PERMITTED FLASH 0.01 INCH MAX

CUSTOMER DRAWING FOR REFERENCE ONLY / DISEGNO PER CLIENTE SOLO PER RIFERIMENTO

THIS DRAWING IS UNPUBLISHED / RELEASE FOR PUBLICATION

TOLLERANZE; SE NON DIVERSAMENTE SPECIFICATO (TOLERANCES, UNLESS OTHERWISE SPECIFIED)	DIAM. ISOLANTE (INS. DIA. RANGE)	RANGO FILO (WIRE RANGE)	SCALA (SCALE)
± 0.3	-	-	-
ANGOLI (ANGLES)	± 2°		



DIS. 11 APRIL '95 (DR.) C.PIA / DESCRIZIONE (DESCRIPTION) AMPMODU II REC. HSG SINGLE ROW, CRIMP ON-SNAP IN

CONT. 11 APRIL '95 (CHK) R. CANTORE / LOC. SIZE NUMERO (DWS NO) I A3 C - 280358 / REV. Y3 / FOLIO (SHEET) 1 DI (OF) 1

Y3	ADDED NOTE 4 AND OBSOLESCENCE OF PIN 1-280358-0 & 1-280359-0	SP	08NOV 2012
REV. (REV. DATE)	REVISIONI (REVISION RECORD)	DIS. (DR)	DATA (DATE)

DISTRIBUZIONE (PRINT DIST.)